


Qty.	Description
1	<p data-bbox="199 338 504 367">CRI 5-12 A-CA-A-V-HQQV</p>  <p data-bbox="199 660 469 689">Product No.: 96533287</p> <p data-bbox="199 719 1449 797">Vertical, multistage centrifugal pump with inlet and outlet ports on same the level (inline). Pump materials in contact with the liquid are in stainless steel. A cartridge shaft seal ensures high reliability, safe handling, and easy access and service. Power transmission is via a rigid split coupling. Pipe connection is via FlexiClamps.</p> <p data-bbox="199 835 936 864">The pump is fitted with a 1-phase, fan-cooled asynchronous motor.</p> <p data-bbox="199 864 936 893">The pump is fitted with a 1-phase, fan-cooled asynchronous motor.</p> <p data-bbox="199 925 316 954">Controls:</p> <p data-bbox="199 954 638 983">Frequency converter: NONE</p> <p data-bbox="199 1014 288 1043">Liquid:</p> <p data-bbox="199 1043 635 1072">Pumped liquid: Water</p> <p data-bbox="199 1072 692 1102">Liquid temperature range: -20 .. 90 °C</p> <p data-bbox="199 1102 632 1131">Selected liquid temperature: 20 °C</p> <p data-bbox="199 1131 778 1160">Density at selected liquid temperature: 998.2 kg/m³</p> <p data-bbox="199 1191 328 1220">Technical:</p> <p data-bbox="199 1220 821 1249">Pump speed on which pump data are based: 2730 rpm</p> <p data-bbox="199 1249 659 1279">Rated flow: 5.8 m³/h</p> <p data-bbox="199 1279 644 1308">Rated head: 55.5 m</p> <p data-bbox="199 1308 651 1337">Pump orientation: Vertical</p> <p data-bbox="199 1337 635 1366">Shaft seal arrangement: Single</p> <p data-bbox="199 1366 639 1395">Code for shaft seal: HQQV</p> <p data-bbox="199 1395 667 1424">Approvals on nameplate: CE, EAC</p> <p data-bbox="199 1424 764 1453">Curve tolerance: ISO9906:2012 3B</p> <p data-bbox="199 1485 320 1514">Materials:</p> <p data-bbox="199 1514 727 1543">Base: Stainless steel</p> <p data-bbox="564 1543 686 1572">EN 1.4408</p> <p data-bbox="564 1572 663 1601">AISI 316</p> <p data-bbox="199 1601 727 1630">Impeller: Stainless steel</p> <p data-bbox="564 1630 683 1659">EN 1.4301</p> <p data-bbox="564 1659 663 1688">AISI 304</p> <p data-bbox="199 1688 608 1718">Bearing: SIC</p> <p data-bbox="199 1749 344 1778">Installation:</p> <p data-bbox="199 1778 632 1807">Maximum ambient temperature: 40 °C</p> <p data-bbox="199 1807 639 1836">Maximum operating pressure: 25 bar</p> <p data-bbox="199 1836 730 1865">Max pressure at stated temp: 25 bar / 90 °C</p> <p data-bbox="564 1865 735 1895">25 bar / -20 °C</p> <p data-bbox="199 1895 692 1924">Type of connection: FlexiClamp</p> <p data-bbox="199 1924 639 1953">Size of inlet connection: DN 32</p> <p data-bbox="199 1953 639 1982">Size of outlet connection: DN 32</p> <p data-bbox="199 1982 686 2011">Pressure rating for pipe connection: PN 25</p> <p data-bbox="199 2011 639 2040">Flange size for motor: FT115</p>

Qty.	Description
------	-------------

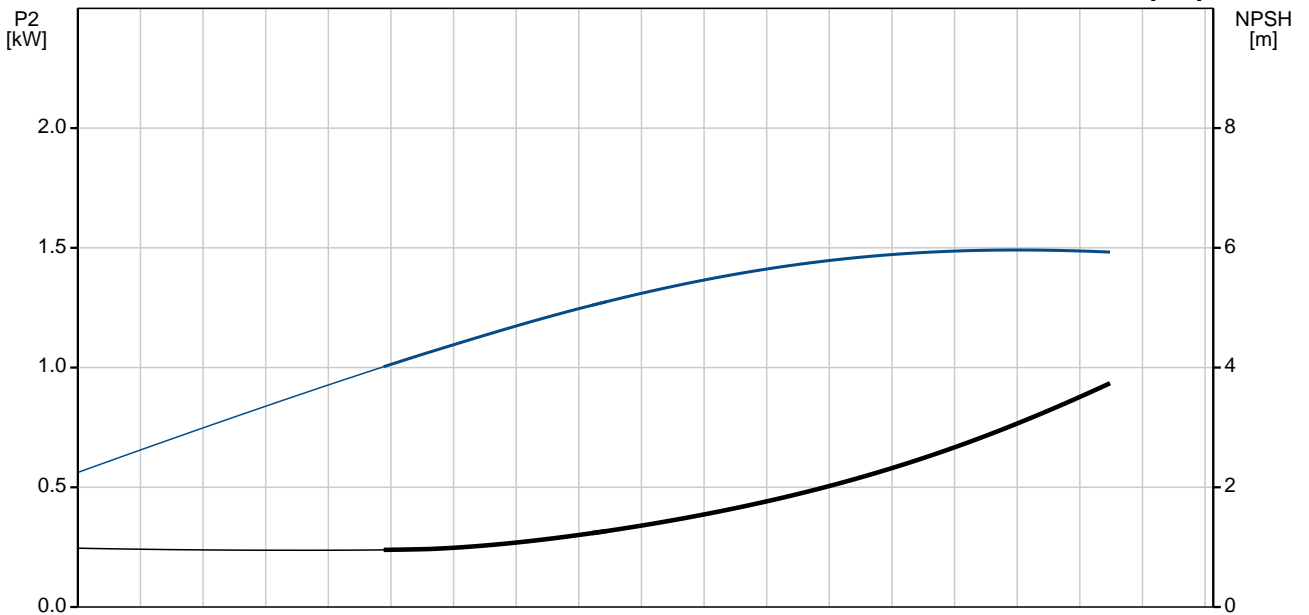
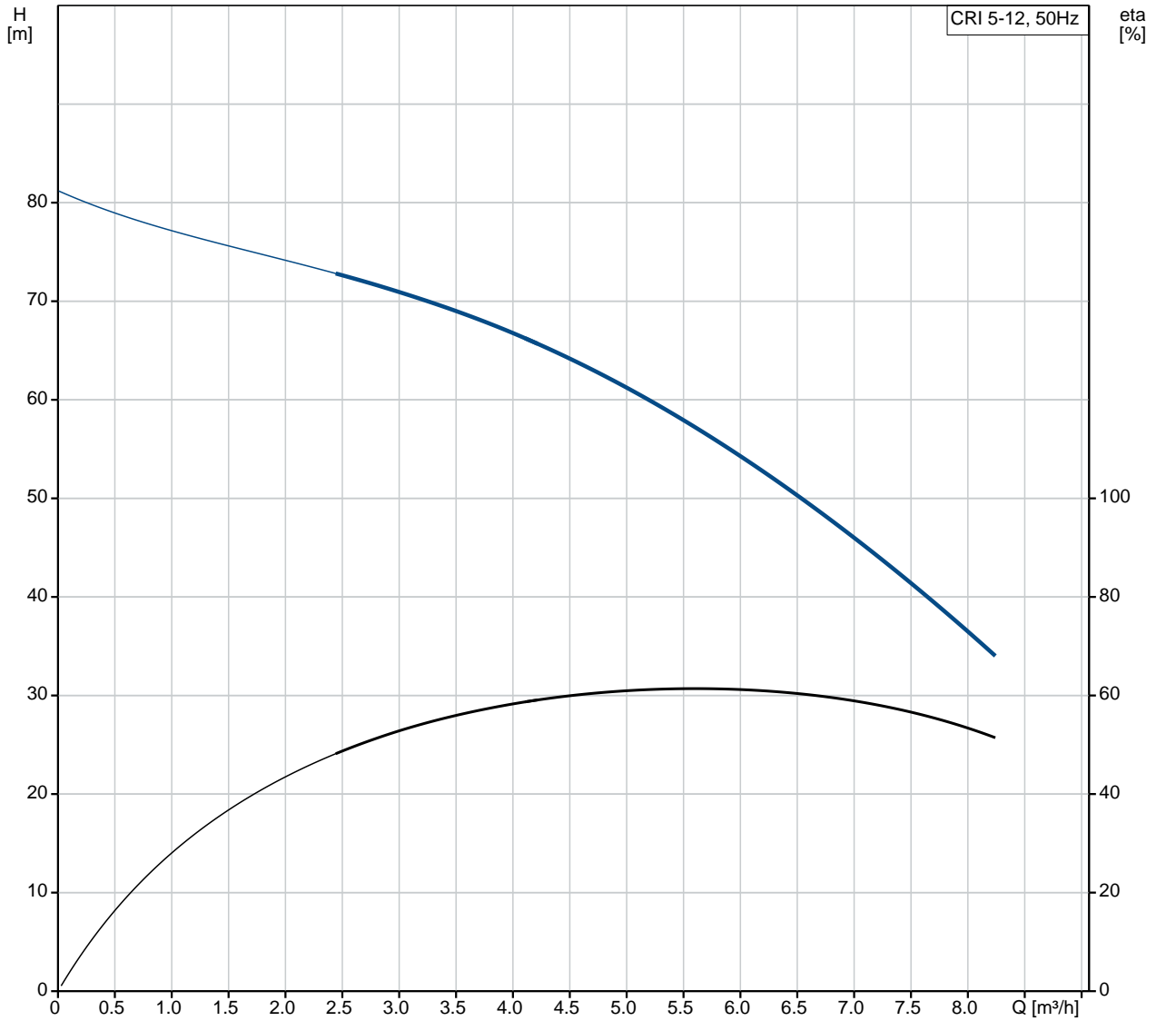
Electrical data:

Motor standard:	IEC
Motor type:	90LC
Rated power - P2:	2.2 kW
Power (P2) required by pump:	2.2 kW
Mains frequency:	50 Hz
Rated voltage:	1 x 220-230/240 V
Rated current:	14,0-13,6/12,6 A
Starting current:	330 %
Cos phi - power factor:	1.00
Rated speed:	2730/2720 rpm
Motor efficiency at full load:	75 %
Number of poles:	2
Enclosure class (IEC 34-5):	55 Dust/Jetting
Insulation class (IEC 85):	F
Motor No:	85215708

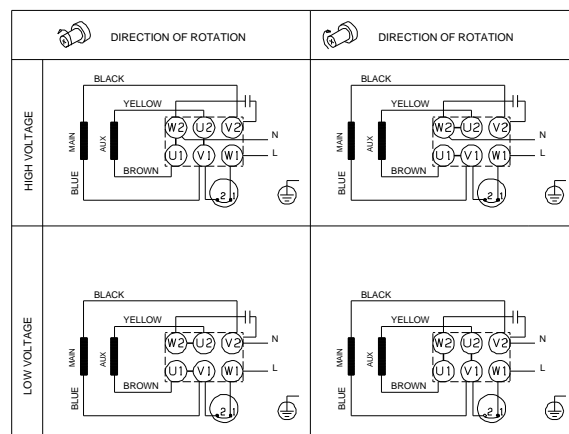
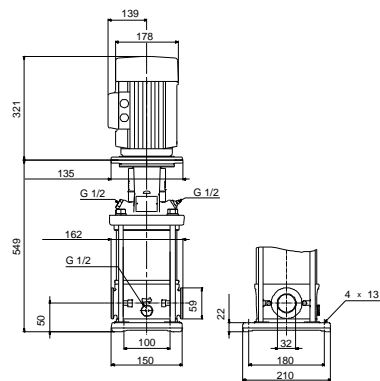
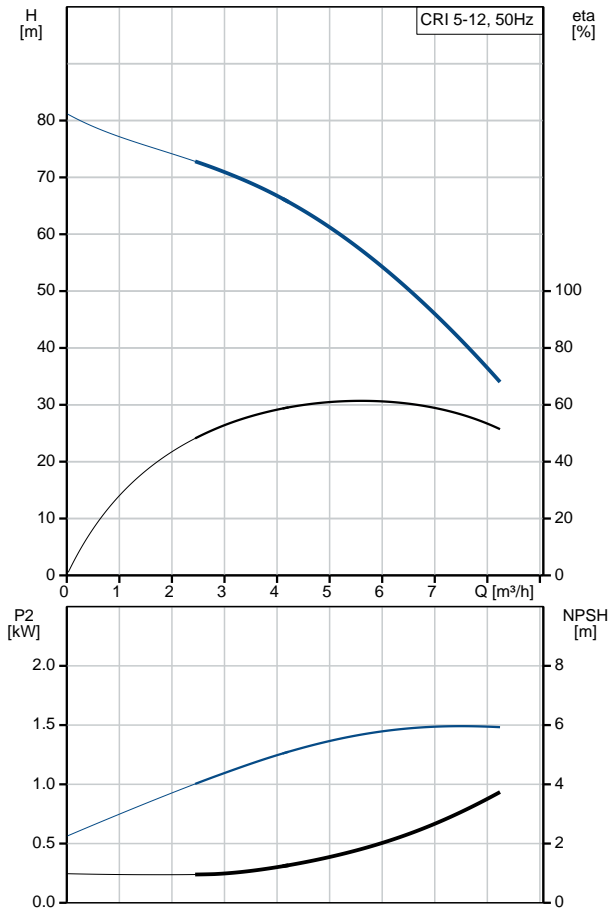
Others:

Minimum efficiency index, MEI :	0.57
Net weight:	40.4 kg
Gross weight:	44.5 kg
Shipping volume:	0.092 m ³
Country of origin:	GB
Custom tariff no.:	84137075

96533287 CRI 5-12 A-CA-A-V-HQQV 50 Hz



Description	Value
General information:	
Product name:	CRI 5-12 A-CA-A-V-HQQV
Product No:	96533287
EAN number:	5700397442616 5700397442616
Price:	1.514,00 GBP
Technical:	
Pump speed on which pump data are based:	2730 rpm
Rated flow:	5.8 m ³ /h
Rated head:	55.5 m
Head max:	79.9 m
Stages:	12
Impellers:	12
Number of reduced-diameter impellers:	0
Low NPSH:	N
Pump orientation:	Vertical
Shaft seal arrangement:	Single
Code for shaft seal:	HQQV
Approvals on nameplate:	CE, EAC
Curve tolerance:	ISO9906:2012 3B
Pump version:	A
Model:	A
Materials:	
Base:	Stainless steel EN 1.4408 AISI 316
Impeller:	Stainless steel EN 1.4301 AISI 304
Material code:	A
Code for rubber:	V
Bearing:	SIC
Installation:	
Maximum ambient temperature:	40 °C
Maximum operating pressure:	25 bar
Max pressure at stated temp:	25 bar / 90 °C 25 bar / -20 °C
Type of connection:	FlexiClamp
Size of inlet connection:	DN 32
Size of outlet connection:	DN 32
Pressure rating for pipe connection:	PN 25
Flange size for motor:	FT115
Connect code:	CA
Liquid:	
Pumped liquid:	Water
Liquid temperature range:	-20 .. 90 °C
Selected liquid temperature:	20 °C
Density at selected liquid temperature:	998.2 kg/m ³
Electrical data:	
Motor standard:	IEC
Motor type:	90LC
Rated power - P2:	2.2 kW
Power (P2) required by pump:	2.2 kW
Mains frequency:	50 Hz
Rated voltage:	1 x 220-230/240 V
Rated current:	14,0-13,6/12,6 A
Starting current:	330 %





Company name:

Created by:

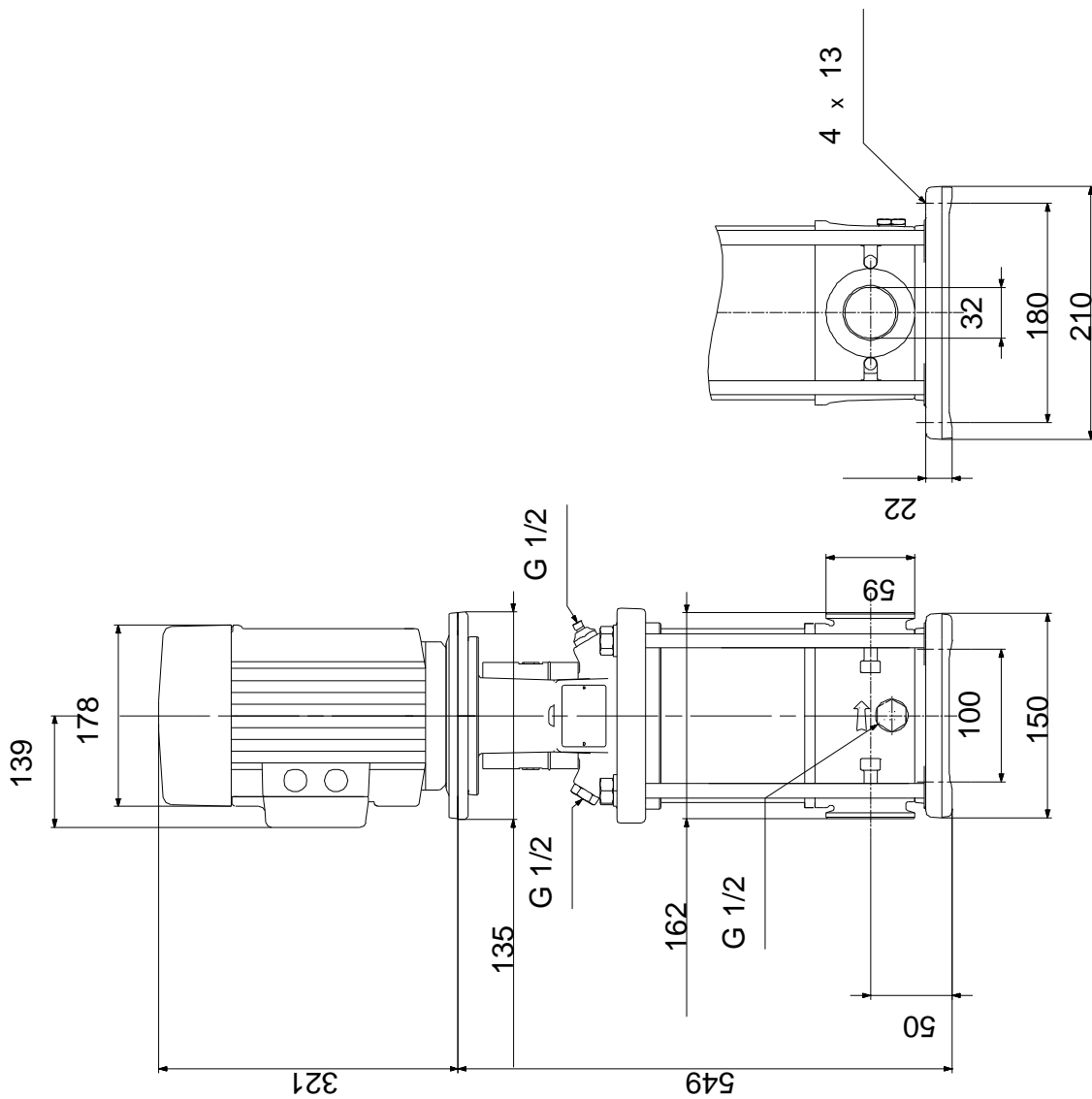
Phone:

Date:

25/09/2019

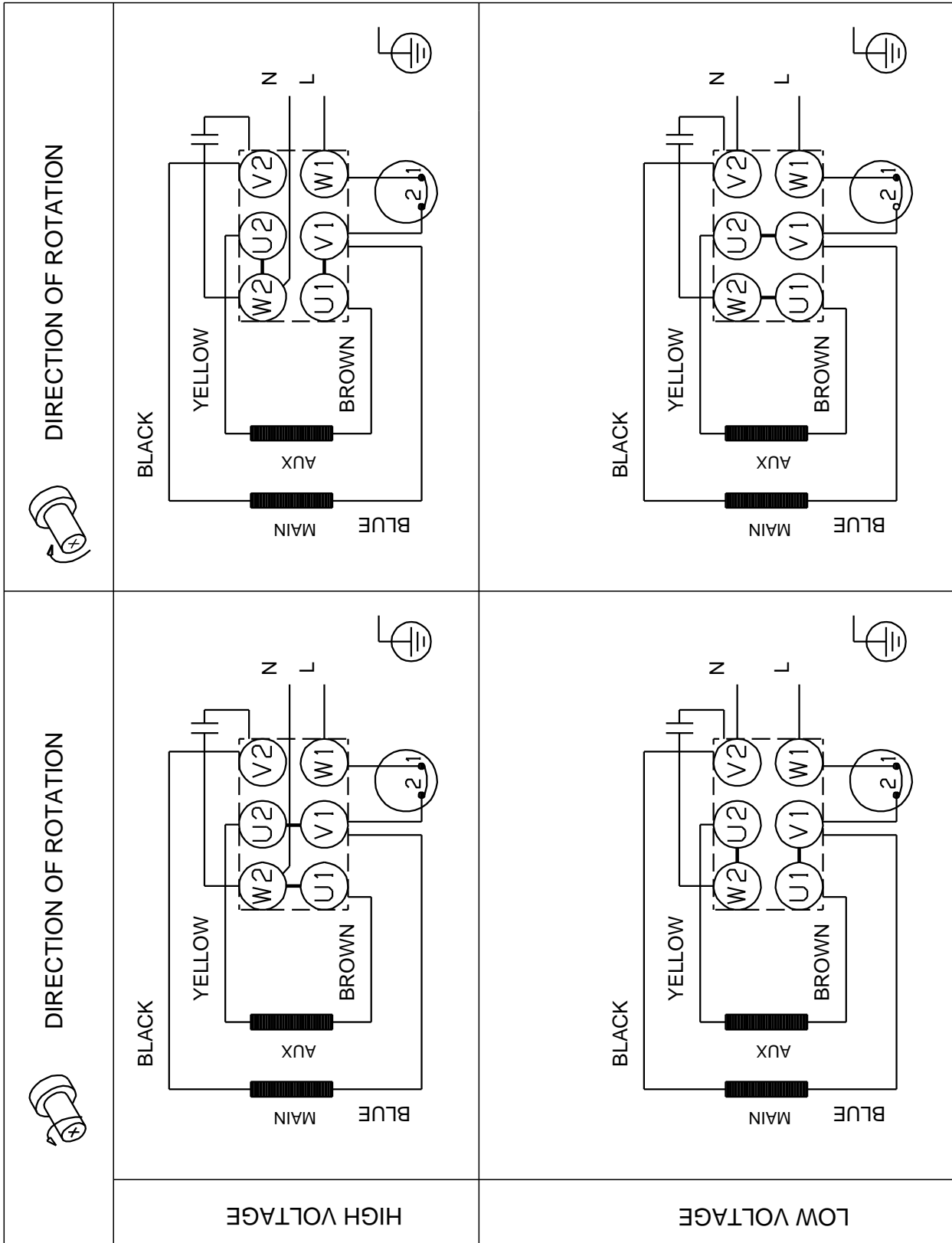
Description	Value
Cos phi - power factor:	1.00
Rated speed:	2730/2720 rpm
Motor efficiency at full load:	75 %
Number of poles:	2
Enclosure class (IEC 34-5):	55 Dust/Jetting
Insulation class (IEC 85):	F
Motor protec:	PTO
Motor No:	85215708
Controls:	
Frequency converter:	NONE
Others:	
Minimum efficiency index, MEI :	0.57
Net weight:	40.4 kg
Gross weight:	44.5 kg
Shipping volume:	0.092 m ³
Sales region:	GB
Country of origin:	GB
Custom tariff no.:	84137075

96533287 CRI 5-12 A-CA-A-V-HQQV 50 Hz



Note! All units are in [mm] unless others are stated.
Disclaimer: This simplified dimensional drawing does not show all details.

96533287 CRI 5-12 A-CA-A-V-HQQV 50 Hz



Note! All units are in [mm] unless others are stated.