

**Qty. Description**

1 CRI 5-13 A-FGJ-A-V-HQQV



Note! Product picture may differ from actual product

Product No.: [96533288](#)

Vertical, multistage centrifugal pump with inlet and outlet ports on same the level (inline). Pump materials in contact with the liquid are in stainless steel. A cartridge shaft seal ensures high reliability, safe handling, and easy access and service. Power transmission is via a rigid split coupling. Pipe connection is via combined DIN-ANSI-JIS flanges.

The pump is fitted with a 1-phase, fan-cooled asynchronous motor.  
The pump is fitted with a 1-phase, fan-cooled asynchronous motor.

**Controls:**

Frequency converter: NONE

**Liquid:**

Pumped liquid: Water  
Liquid temperature range: -20 .. 90 °C  
Selected liquid temperature: 20 °C  
Density at selected liquid temperature: 998.2 kg/m<sup>3</sup>

**Technical:**

Pump speed on which pump data are based: 2730 rpm  
Rated flow: 5.8 m<sup>3</sup>/h  
Rated head: 59.6 m  
Pump orientation: Vertical  
Shaft seal arrangement: Single  
Code for shaft seal: HQQV  
Approvals on nameplate: CE, EAC  
Curve tolerance: ISO9906:2012 3B

**Materials:**

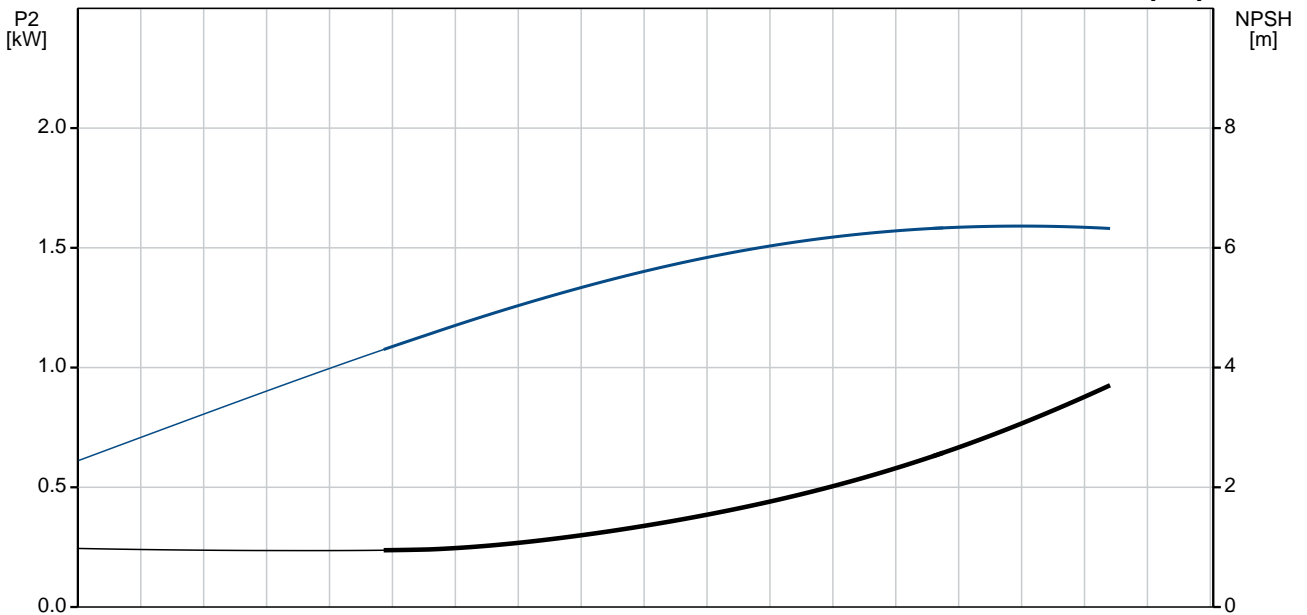
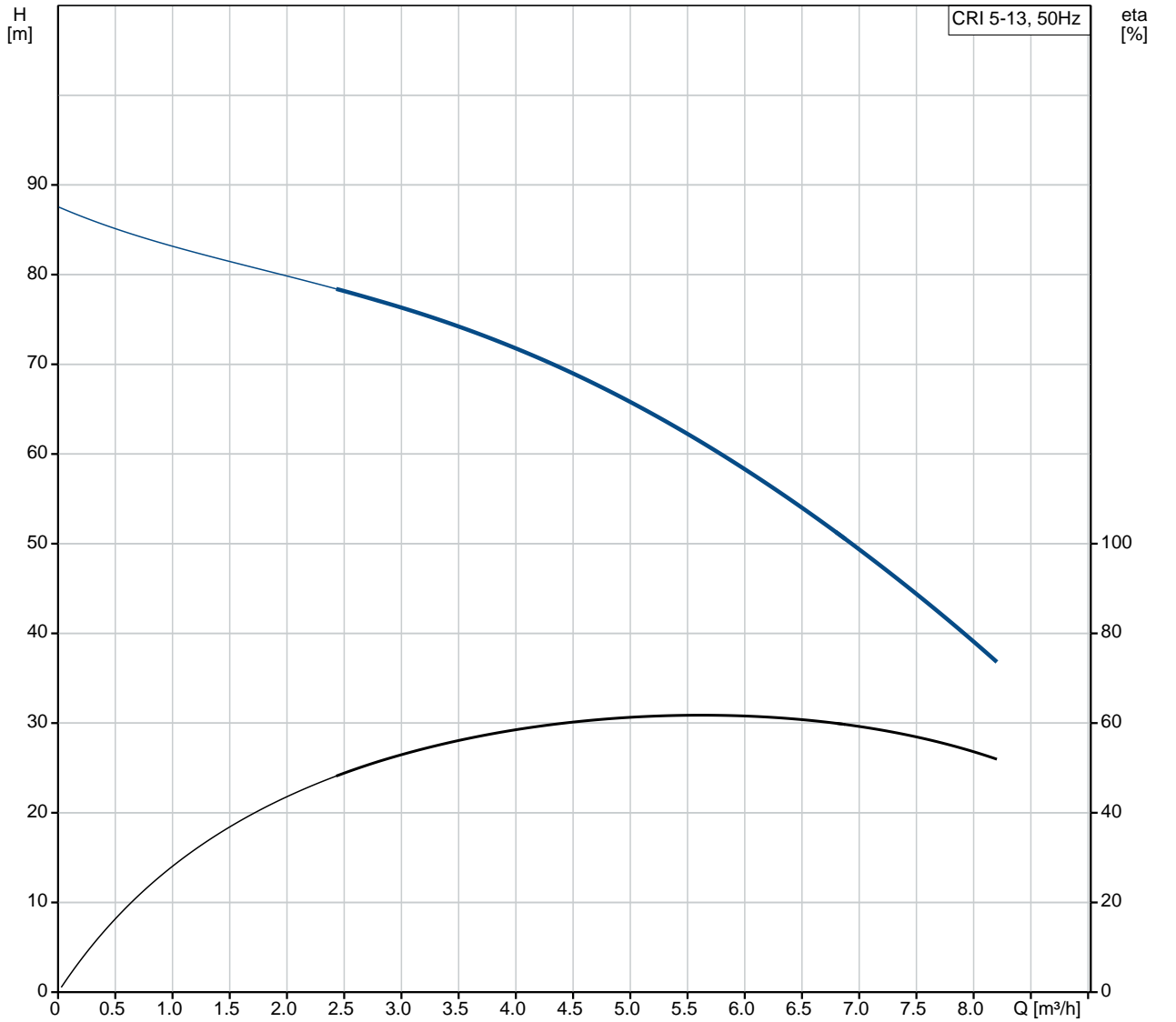
Base: Stainless steel  
EN 1.4408  
AISI 316  
Impeller: Stainless steel  
EN 1.4301  
AISI 304  
Bearing: SIC

**Installation:**

Maximum ambient temperature: 40 °C

Qty.	Description
	<p>Maximum operating pressure: 25 bar            Max pressure at stated temp: 25 bar / 90 °C            25 bar / -20 °C</p> <p>Type of connection: DIN / ANSI / JIS            Size of inlet connection: DN 25/32            Size of outlet connection: DN 25/32            Pressure rating for pipe connection: PN 25            Flange rating inlet: 300 lb            Flange size for motor: FT115</p> <p><b>Electrical data:</b></p> <p>Motor standard: IEC            Motor type: 90LC            Rated power - P2: 2.2 kW            Power (P2) required by pump: 2.2 kW            Mains frequency: 50 Hz            Rated voltage: 1 x 220-230/240 V            Rated current: 14,0-13,6/12,6 A            Starting current: 330 %            Cos phi - power factor: 1.00            Rated speed: 2730/2720 rpm            Motor efficiency at full load: 75 %            Number of poles: 2            Enclosure class (IEC 34-5): 55 Dust/Jetting            Insulation class (IEC 85): F            Motor No: 85215708</p> <p><b>Others:</b></p> <p>Minimum efficiency index, MEI : 0.57            Net weight: 45.1 kg            Gross weight: 48 kg            Shipping volume: 0.13 m<sup>3</sup>            Country of origin: GB            Custom tariff no.: 84137075</p>

## 96533288 CRI 5-13 A-FGJ-A-V-HQQV 50 Hz



Description	Value
-------------	-------

**General information:**

Product name: CRI 5-13  
A-FGJ-A-V-HQQV

Product No: 96533288

EAN number: 5700397442623  
5700397442623

Price: 1.592,00 GBP

**Technical:**

Pump speed on which pump data are based: 2730 rpm

Rated flow: 5.8 m<sup>3</sup>/h

Rated head: 59.6 m

Head max: 86.3 m

Stages: 13

Impellers: 13

Number of reduced-diameter impellers: 0

Low NPSH: N

Pump orientation: Vertical

Shaft seal arrangement: Single

Code for shaft seal: HQQV

Approvals on nameplate: CE, EAC

Curve tolerance: ISO9906:2012 3B

Pump version: A

Model: A

**Materials:**

Base: Stainless steel  
EN 1.4408  
AISI 316

Impeller: Stainless steel  
EN 1.4301  
AISI 304

Material code: A

Code for rubber: V

Bearing: SIC

**Installation:**

Maximum ambient temperature: 40 °C

Maximum operating pressure: 25 bar

Max pressure at stated temp: 25 bar / 90 °C  
25 bar / -20 °C

Type of connection: DIN / ANSI / JIS

Size of inlet connection: DN 25/32

Size of outlet connection: DN 25/32

Pressure rating for pipe connection: PN 25

Flange rating inlet: 300 lb

Flange size for motor: FT115

Connect code: FGJ

**Liquid:**

Pumped liquid: Water

Liquid temperature range: -20 .. 90 °C

Selected liquid temperature: 20 °C

Density at selected liquid temperature: 998.2 kg/m<sup>3</sup>

**Electrical data:**

Motor standard: IEC

Motor type: 90LC

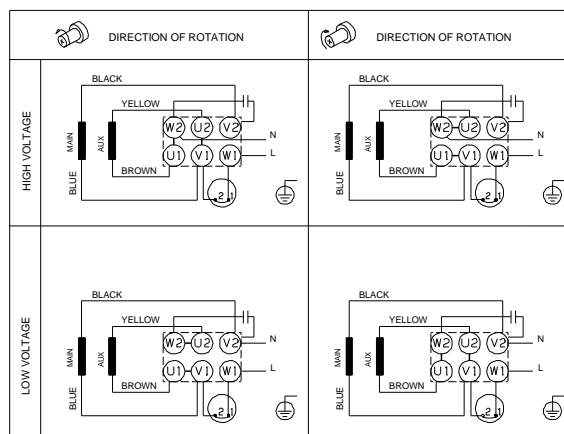
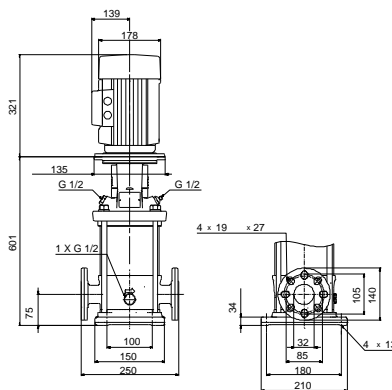
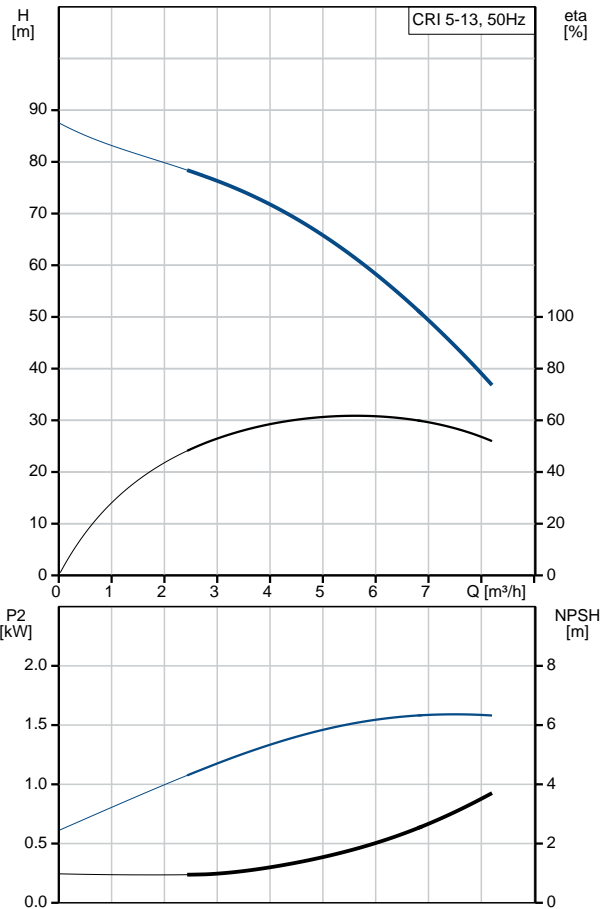
Rated power - P2: 2.2 kW

Power (P2) required by pump: 2.2 kW

Mains frequency: 50 Hz

Rated voltage: 1 x 220-230/240 V

Rated current: 14,0-13,6/12,6 A





Company name:

Created by:

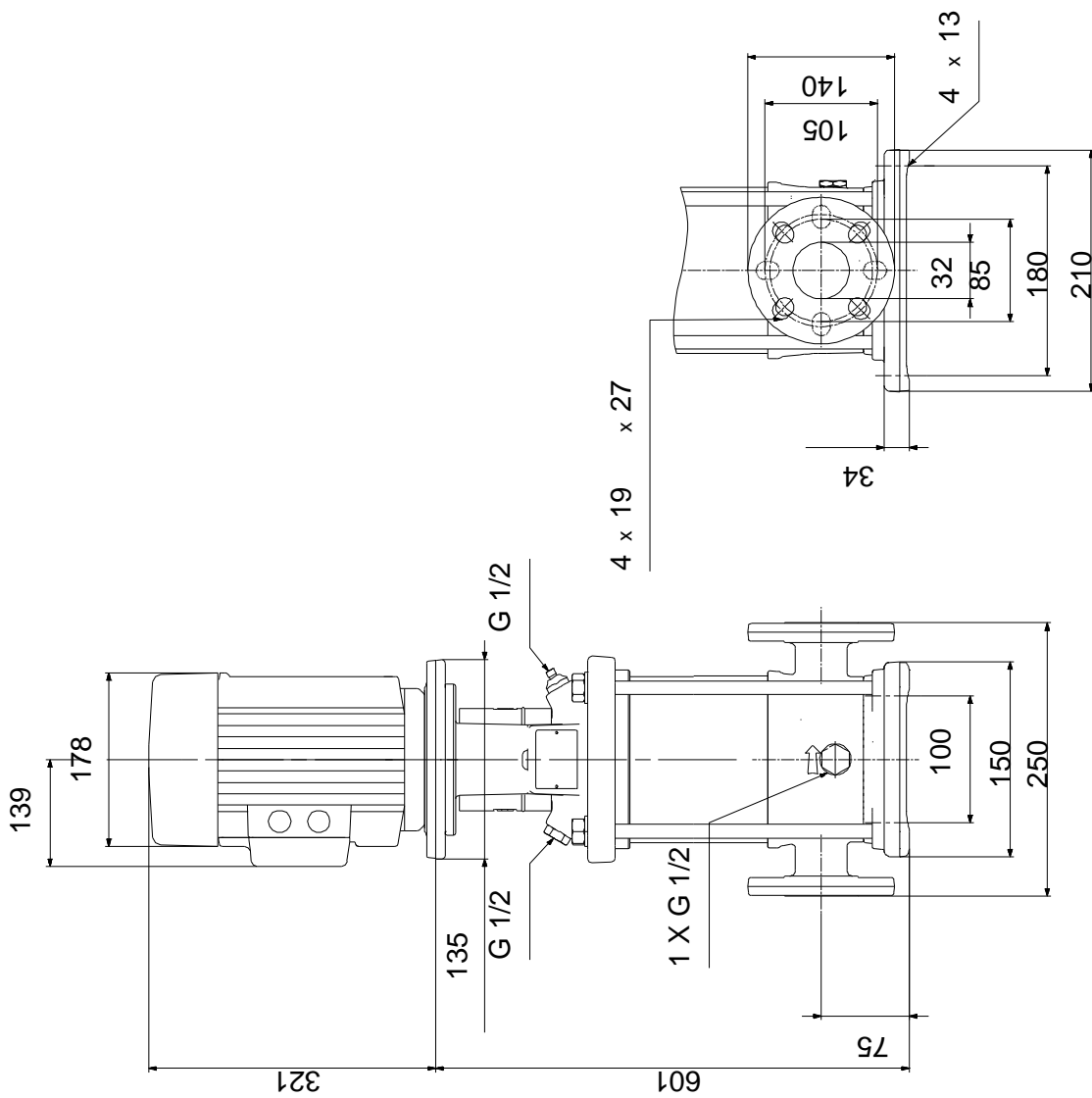
Phone:

Date:

25/09/2019

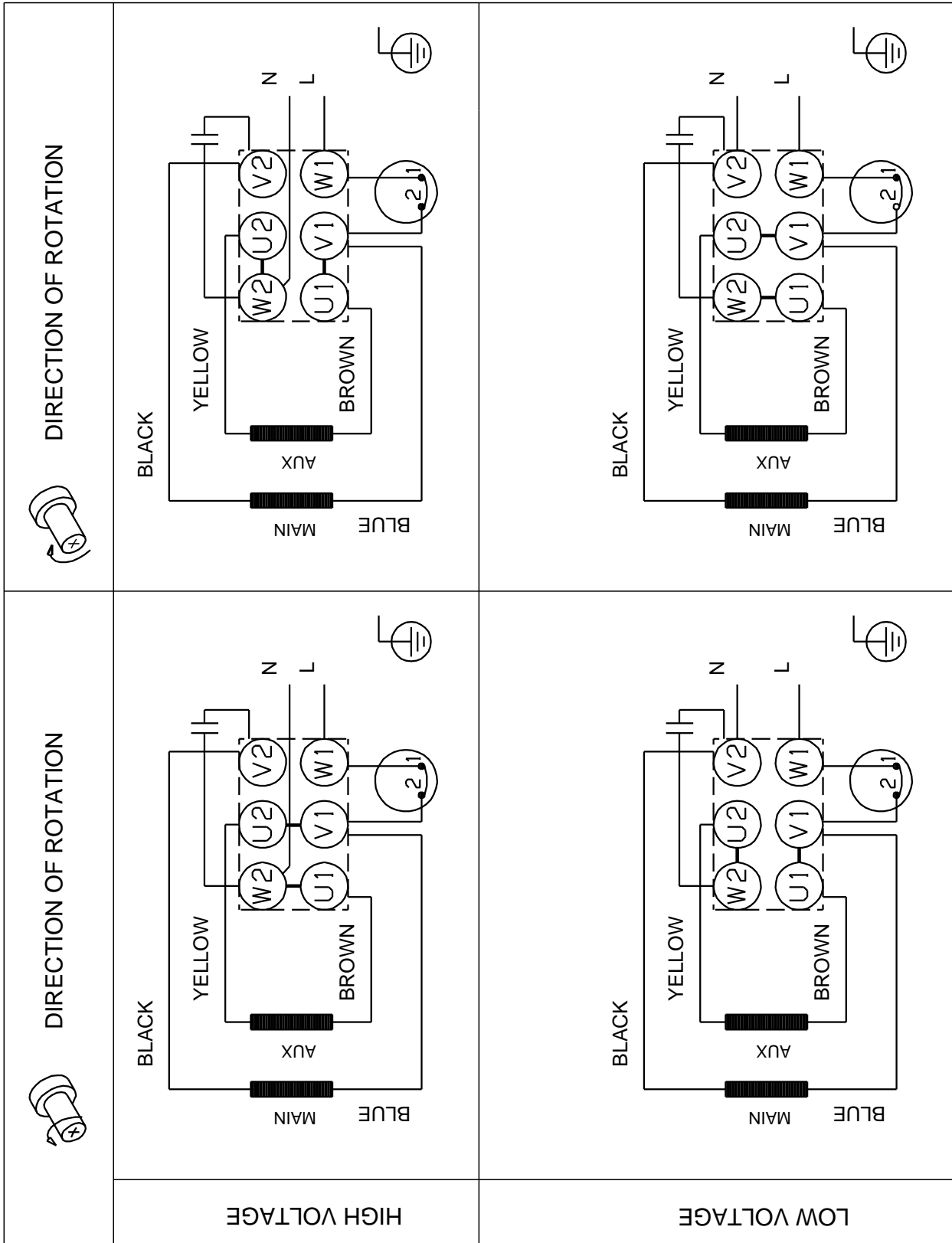
Description	Value
Starting current:	330 %
Cos phi - power factor:	1.00
Rated speed:	2730/2720 rpm
Motor efficiency at full load:	75 %
Number of poles:	2
Enclosure class (IEC 34-5):	55 Dust/Jetting
Insulation class (IEC 85):	F
Motor protec:	PTO
Motor No:	85215708
<b>Controls:</b>	
Frequency converter:	NONE
<b>Others:</b>	
Minimum efficiency index, MEI :	0.57
Net weight:	45.1 kg
Gross weight:	48 kg
Shipping volume:	0.13 m <sup>3</sup>
Sales region:	GB
Country of origin:	GB
Custom tariff no.:	84137075

## 96533288 CRI 5-13 A-FGJ-A-V-HQQV 50 Hz



Note! All units are in [mm] unless others are stated.  
Disclaimer: This simplified dimensional drawing does not show all details.

## 96533288 CRI 5-13 A-FGJ-A-V-HQQV 50 Hz



Note! All units are in [mm] unless others are stated.