


Qty.	Description
1	<p data-bbox="199 336 518 369"><b>CRI 5-14 A-FGJ-A-V-HQQV</b></p>  <p data-bbox="199 660 470 694">Product No.: <a href="#">96533289</a></p> <p data-bbox="199 716 1452 817">Vertical, multistage centrifugal pump with inlet and outlet ports on same the level (inline). Pump materials in contact with the liquid are in stainless steel. A cartridge shaft seal ensures high reliability, safe handling, and easy access and service. Power transmission is via a rigid split coupling. Pipe connection is via combined DIN-ANSI-JIS flanges.</p> <p data-bbox="199 862 933 918">The pump is fitted with a 1-phase, fan-cooled asynchronous motor. The pump is fitted with a 1-phase, fan-cooled asynchronous motor.</p> <p data-bbox="199 952 319 985"><b>Controls:</b></p> <p data-bbox="199 974 638 1008">Frequency converter: NONE</p> <p data-bbox="199 1041 295 1075"><b>Liquid:</b></p> <p data-bbox="199 1064 638 1097">Pumped liquid: Water</p> <p data-bbox="199 1097 694 1131">Liquid temperature range: -20 .. 90 °C</p> <p data-bbox="199 1131 630 1164">Selected liquid temperature: 20 °C</p> <p data-bbox="199 1164 774 1198">Density at selected liquid temperature: 998.2 kg/m<sup>3</sup></p> <p data-bbox="199 1220 327 1254"><b>Technical:</b></p> <p data-bbox="199 1243 821 1276">Pump speed on which pump data are based: 2730 rpm</p> <p data-bbox="199 1276 662 1310">Rated flow: 5.8 m<sup>3</sup>/h</p> <p data-bbox="199 1310 646 1344">Rated head: 63.6 m</p> <p data-bbox="199 1344 646 1377">Pump orientation: Vertical</p> <p data-bbox="199 1377 638 1411">Shaft seal arrangement: Single</p> <p data-bbox="199 1411 638 1444">Code for shaft seal: HQQV</p> <p data-bbox="199 1444 662 1478">Approvals on nameplate: CE, EAC</p> <p data-bbox="199 1478 766 1512">Curve tolerance: ISO9906:2012 3B</p> <p data-bbox="199 1534 327 1568"><b>Materials:</b></p> <p data-bbox="199 1556 726 1635">Base: Stainless steel EN 1.4408 AISI 316</p> <p data-bbox="199 1646 726 1724">Impeller: Stainless steel EN 1.4301 AISI 304</p> <p data-bbox="199 1736 614 1769">Bearing: SIC</p> <p data-bbox="199 1803 343 1836"><b>Installation:</b></p> <p data-bbox="199 1825 630 1859">Maximum ambient temperature: 40 °C</p> <p data-bbox="199 1859 638 1892">Maximum operating pressure: 25 bar</p> <p data-bbox="199 1892 734 1926">Max pressure at stated temp: 25 bar / 90 °C</p> <p data-bbox="199 1926 734 1960">25 bar / -20 °C</p> <p data-bbox="199 1960 742 1993">Type of connection: DIN / ANSI / JIS</p> <p data-bbox="199 1993 678 2027">Size of inlet connection: DN 25/32</p> <p data-bbox="199 2027 678 2060">Size of outlet connection: DN 25/32</p> <p data-bbox="199 2060 686 2094">Pressure rating for pipe connection: PN 25</p> <p data-bbox="199 2094 638 2128">Flange rating inlet: 300 lb</p> <p data-bbox="199 2128 638 2161">Flange size for motor: FT115</p>

Qty.	Description
------	-------------

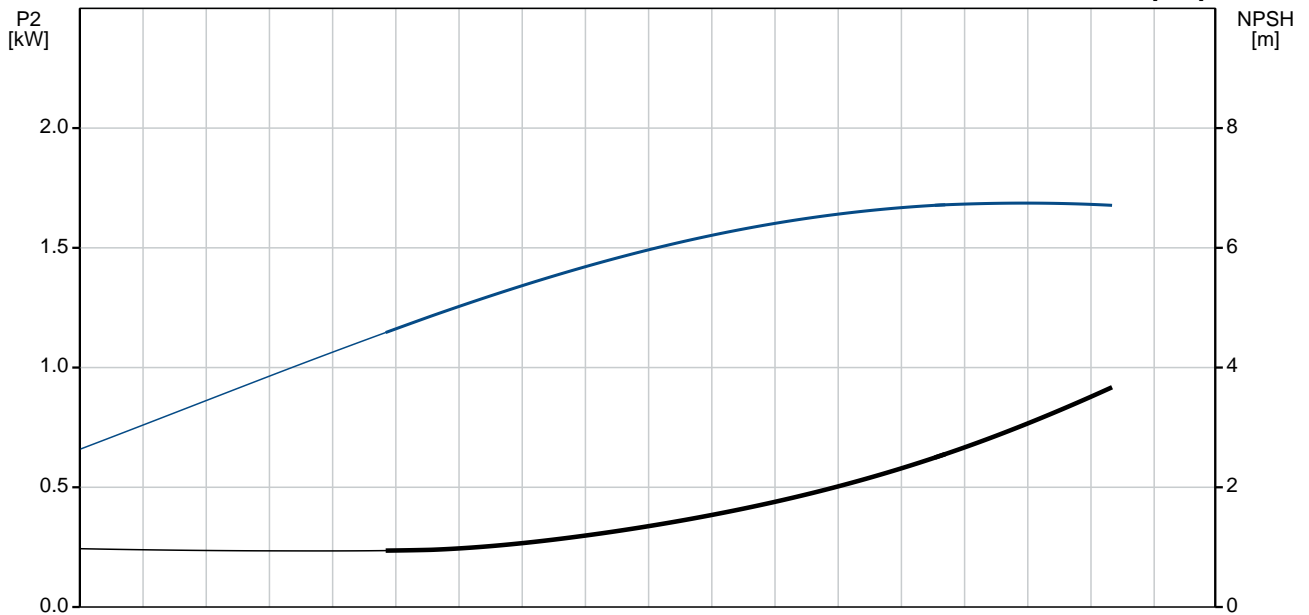
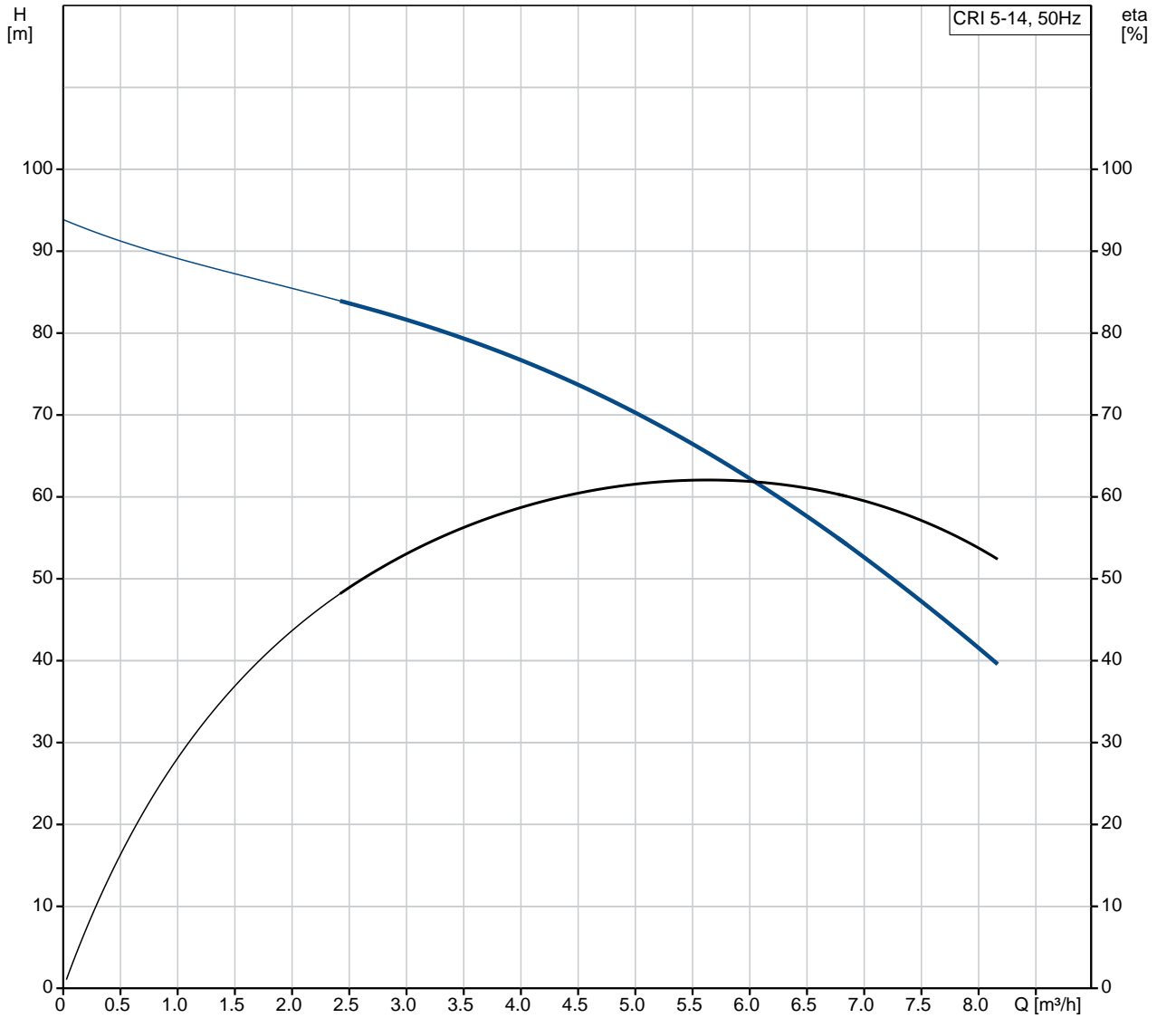
**Electrical data:**

Motor standard:	IEC
Motor type:	90LC
Rated power - P2:	2.2 kW
Power (P2) required by pump:	2.2 kW
Mains frequency:	50 Hz
Rated voltage:	1 x 220-230/240 V
Rated current:	14,0-13,6/12,6 A
Starting current:	330 %
Cos phi - power factor:	1.00
Rated speed:	2730/2720 rpm
Motor efficiency at full load:	75 %
Number of poles:	2
Enclosure class (IEC 34-5):	55 Dust/Jetting
Insulation class (IEC 85):	F
Motor No:	85215708

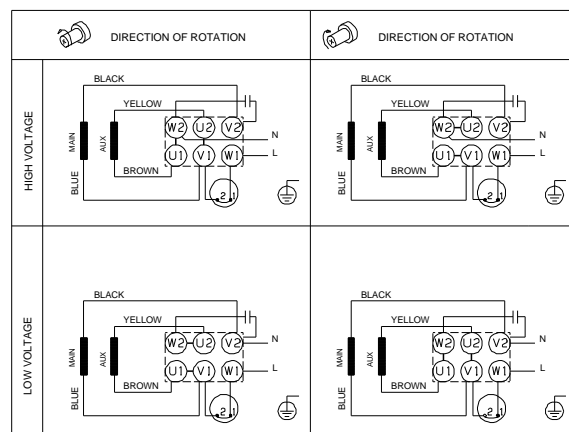
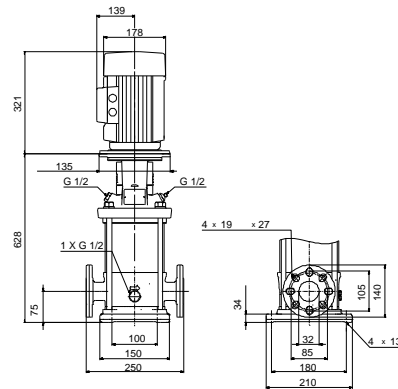
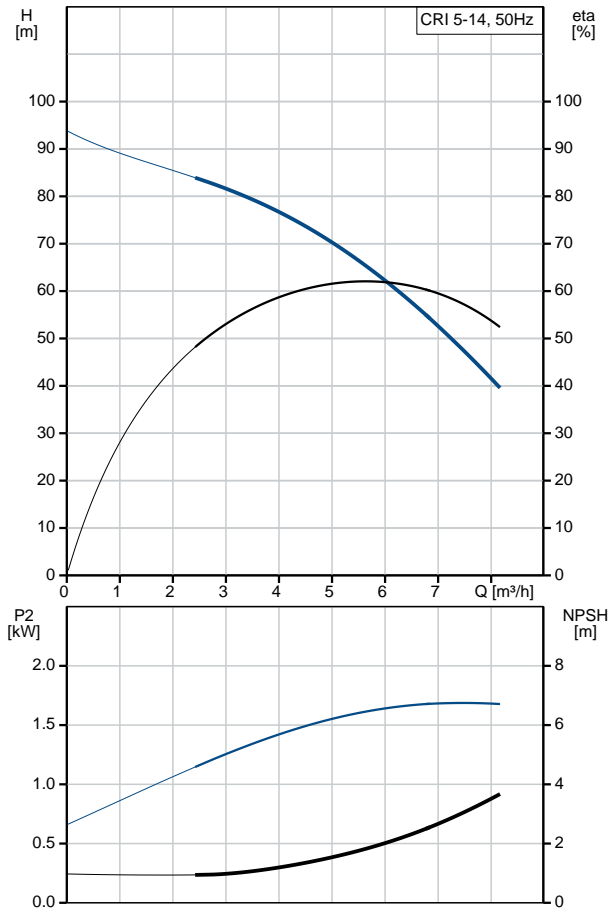
**Others:**

Minimum efficiency index, MEI :	0.57
Net weight:	45.7 kg
Gross weight:	48.6 kg
Shipping volume:	0.13 m <sup>3</sup>
Country of origin:	GB
Custom tariff no.:	84137075

## 96533289 CRI 5-14 A-FGJ-A-V-HQQV 50 Hz



Description	Value
<b>General information:</b>	
Product name:	CRI 5-14 A-FGJ-A-V-HQQV
Product No:	96533289
EAN number:	5700397443736 5700397443736
Price:	1.625,00 GBP
<b>Technical:</b>	
Pump speed on which pump data are based:	2730 rpm
Rated flow:	5.8 m <sup>3</sup> /h
Rated head:	63.6 m
Head max:	92.6 m
Stages:	14
Impellers:	14
Number of reduced-diameter impellers:	0
Low NPSH:	N
Pump orientation:	Vertical
Shaft seal arrangement:	Single
Code for shaft seal:	HQQV
Approvals on nameplate:	CE, EAC
Curve tolerance:	ISO9906:2012 3B
Pump version:	A
Model:	A
<b>Materials:</b>	
Base:	Stainless steel EN 1.4408 AISI 316
Impeller:	Stainless steel EN 1.4301 AISI 304
Material code:	A
Code for rubber:	V
Bearing:	SIC
<b>Installation:</b>	
Maximum ambient temperature:	40 °C
Maximum operating pressure:	25 bar
Max pressure at stated temp:	25 bar / 90 °C 25 bar / -20 °C
Type of connection:	DIN / ANSI / JIS
Size of inlet connection:	DN 25/32
Size of outlet connection:	DN 25/32
Pressure rating for pipe connection:	PN 25
Flange rating inlet:	300 lb
Flange size for motor:	FT115
Connect code:	FGJ
<b>Liquid:</b>	
Pumped liquid:	Water
Liquid temperature range:	-20 .. 90 °C
Selected liquid temperature:	20 °C
Density at selected liquid temperature:	998.2 kg/m <sup>3</sup>
<b>Electrical data:</b>	
Motor standard:	IEC
Motor type:	90LC
Rated power - P2:	2.2 kW
Power (P2) required by pump:	2.2 kW
Mains frequency:	50 Hz
Rated voltage:	1 x 220-230/240 V
Rated current:	14,0-13,6/12,6 A





Company name:

Created by:

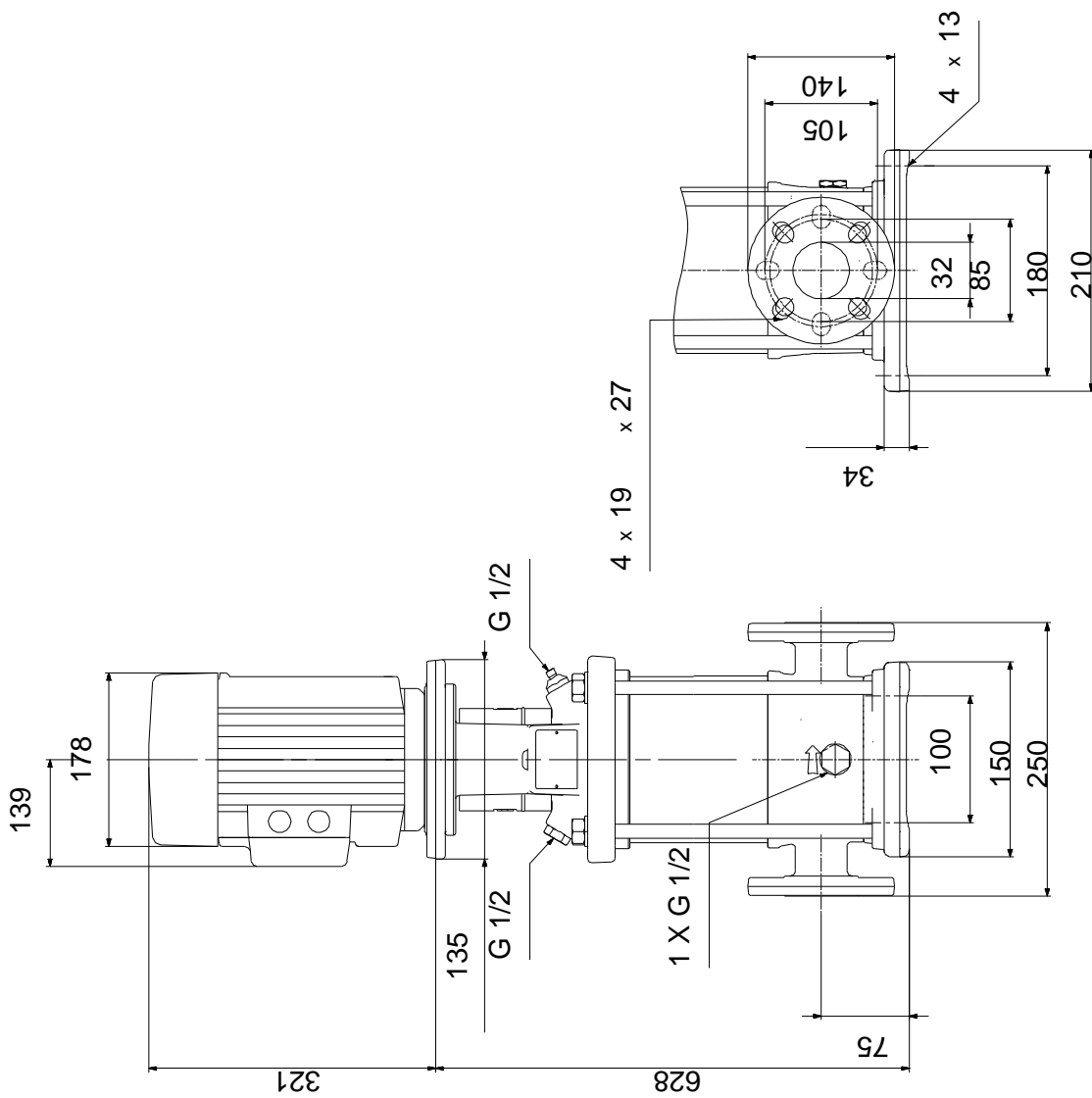
Phone:

Date:

25/09/2019

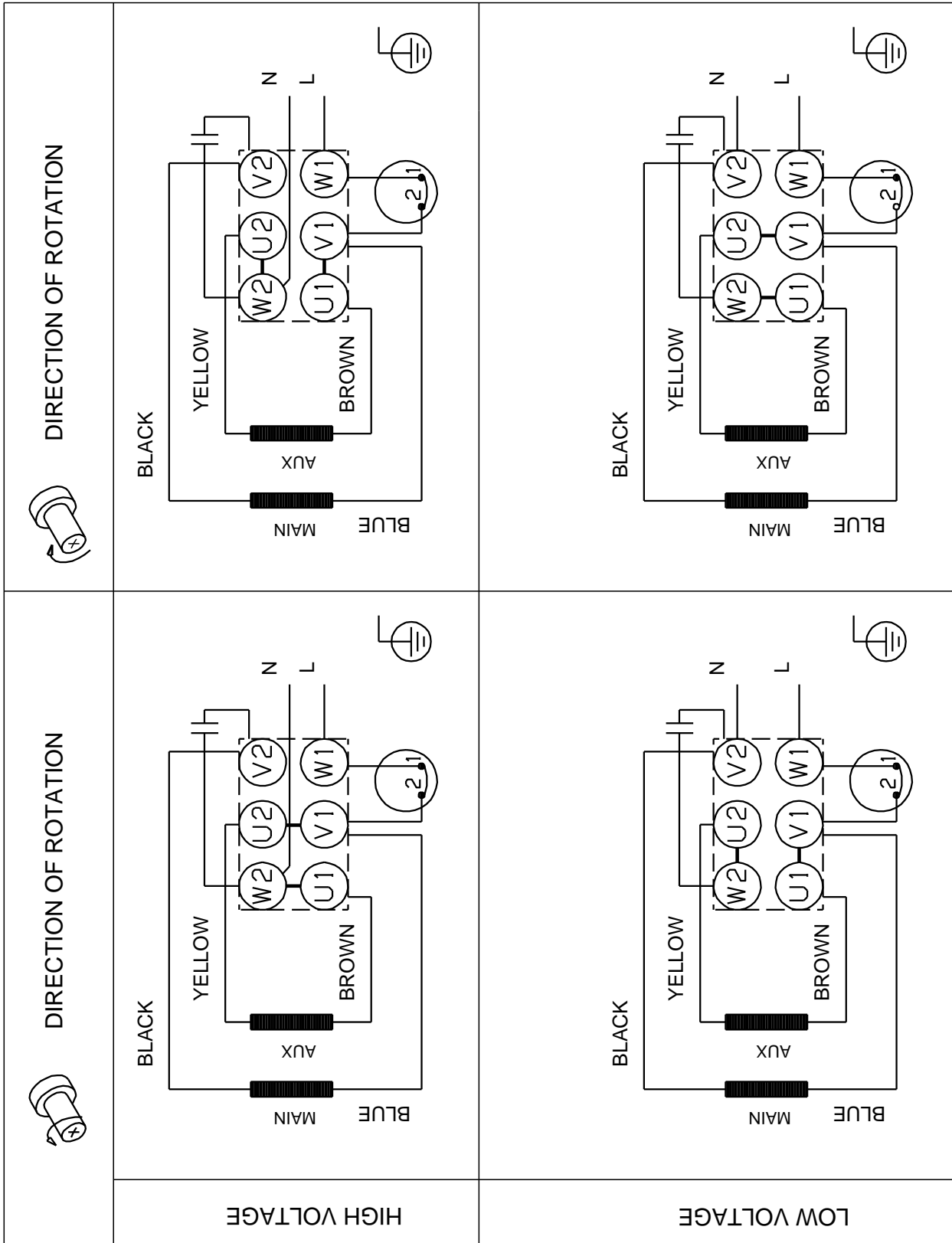
Description	Value
Starting current:	330 %
Cos phi - power factor:	1.00
Rated speed:	2730/2720 rpm
Motor efficiency at full load:	75 %
Number of poles:	2
Enclosure class (IEC 34-5):	55 Dust/Jetting
Insulation class (IEC 85):	F
Motor protec:	PTO
Motor No:	85215708
<b>Controls:</b>	
Frequency converter:	NONE
<b>Others:</b>	
Minimum efficiency index, MEI :	0.57
Net weight:	45.7 kg
Gross weight:	48.6 kg
Shipping volume:	0.13 m <sup>3</sup>
Sales region:	GB
Country of origin:	GB
Custom tariff no.:	84137075

## 96533289 CRI 5-14 A-FGJ-A-V-HQQV 50 Hz



Note! All units are in [mm] unless others are stated.  
 Disclaimer: This simplified dimensional drawing does not show all details.

## 96533289 CRI 5-14 A-FGJ-A-V-HQQV 50 Hz



Note! All units are in [mm] unless others are stated.