


Qty.	Description
1	<p data-bbox="197 338 517 369">CRI 5-15 A-FGJ-A-V-HQQV</p> <div data-bbox="357 376 427 629" style="text-align: center;">  </div> <p data-bbox="197 660 469 692">Product No.: 96533290</p> <p data-bbox="197 719 1449 822">Vertical, multistage centrifugal pump with inlet and outlet ports on same the level (inline). Pump materials in contact with the liquid are in stainless steel. A cartridge shaft seal ensures high reliability, safe handling, and easy access and service. Power transmission is via a rigid split coupling. Pipe connection is via combined DIN-ANSI-JIS flanges.</p> <p data-bbox="197 862 936 920">The pump is fitted with a 1-phase, fan-cooled asynchronous motor. The pump is fitted with a 1-phase, fan-cooled asynchronous motor.</p> <p data-bbox="197 952 316 978">Controls:</p> <p data-bbox="197 981 639 1010">Frequency converter: NONE</p> <p data-bbox="197 1041 288 1068">Liquid:</p> <p data-bbox="197 1070 639 1099">Pumped liquid: Water</p> <p data-bbox="197 1102 692 1131">Liquid temperature range: -20 .. 90 °C</p> <p data-bbox="197 1133 632 1162">Selected liquid temperature: 20 °C</p> <p data-bbox="197 1164 778 1193">Density at selected liquid temperature: 998.2 kg/m³</p> <p data-bbox="197 1225 328 1252">Technical:</p> <p data-bbox="197 1254 823 1283">Pump speed on which pump data are based: 2730 rpm</p> <p data-bbox="197 1285 660 1314">Rated flow: 5.8 m³/h</p> <p data-bbox="197 1317 644 1346">Rated head: 67.5 m</p> <p data-bbox="197 1348 651 1377">Pump orientation: Vertical</p> <p data-bbox="197 1379 639 1408">Shaft seal arrangement: Single</p> <p data-bbox="197 1411 639 1440">Code for shaft seal: HQQV</p> <p data-bbox="197 1442 667 1471">Approvals on nameplate: CE, EAC</p> <p data-bbox="197 1473 767 1503">Curve tolerance: ISO9906:2012 3B</p> <p data-bbox="197 1534 320 1561">Materials:</p> <p data-bbox="197 1563 727 1621">Base: Stainless steel EN 1.4408 AISI 316</p> <p data-bbox="197 1637 727 1695">Impeller: Stainless steel EN 1.4301 AISI 304</p> <p data-bbox="197 1711 608 1740">Bearing: SIC</p> <p data-bbox="197 1771 344 1798">Installation:</p> <p data-bbox="197 1800 632 1830">Maximum ambient temperature: 40 °C</p> <p data-bbox="197 1832 639 1861">Maximum operating pressure: 25 bar</p> <p data-bbox="197 1863 727 1892">Max pressure at stated temp: 25 bar / 90 °C</p> <p data-bbox="197 1895 735 1924"> 25 bar / -20 °C</p> <p data-bbox="197 1926 746 1955">Type of connection: DIN / ANSI / JIS</p> <p data-bbox="197 1957 676 1986">Size of inlet connection: DN 25/32</p> <p data-bbox="197 1989 676 2018">Size of outlet connection: DN 25/32</p> <p data-bbox="197 2020 687 2049">Pressure rating for pipe connection: PN 25</p> <p data-bbox="197 2051 639 2080">Flange rating inlet: 300 lb</p> <p data-bbox="197 2083 639 2112">Flange size for motor: FT115</p>

Qty.	Description
------	-------------

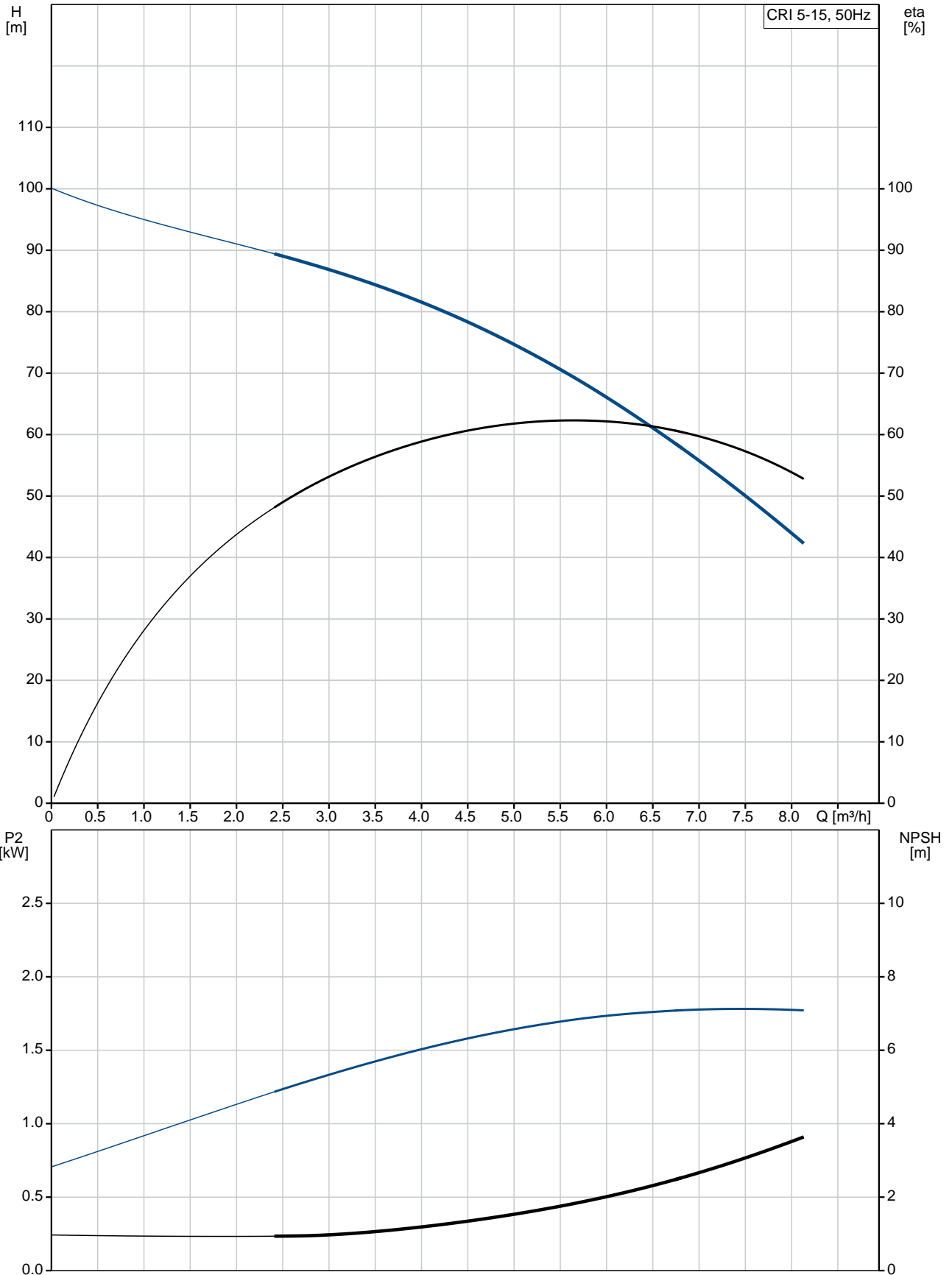
Electrical data:

Motor standard:	IEC
Motor type:	90LC
Rated power - P2:	2.2 kW
Power (P2) required by pump:	2.2 kW
Mains frequency:	50 Hz
Rated voltage:	1 x 220-230/240 V
Rated current:	14,0-13,6/12,6 A
Starting current:	330 %
Cos phi - power factor:	1.00
Rated speed:	2730/2720 rpm
Motor efficiency at full load:	75 %
Number of poles:	2
Enclosure class (IEC 34-5):	55 Dust/Jetting
Insulation class (IEC 85):	F
Motor No:	85215708

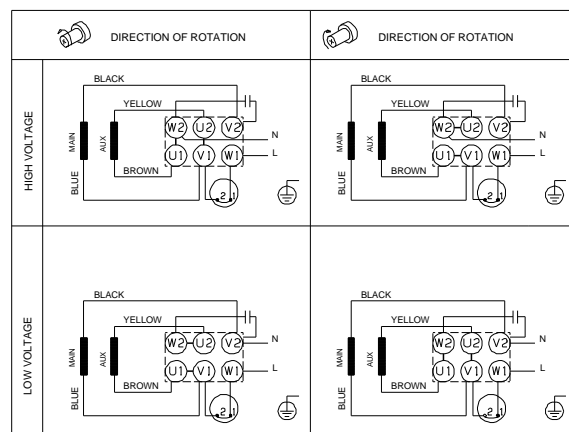
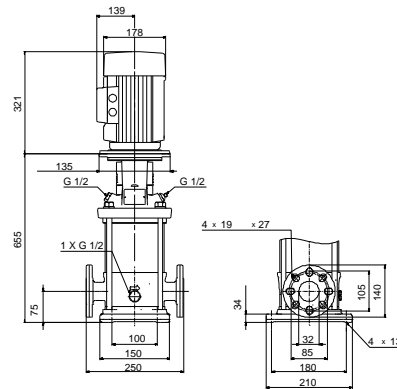
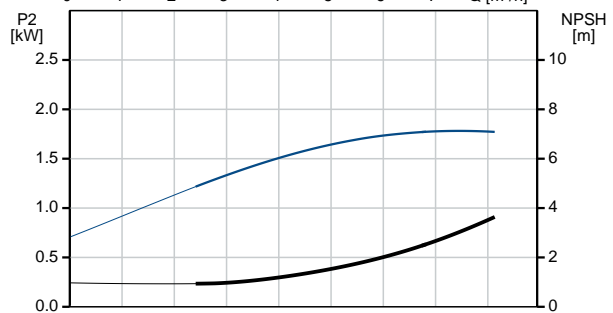
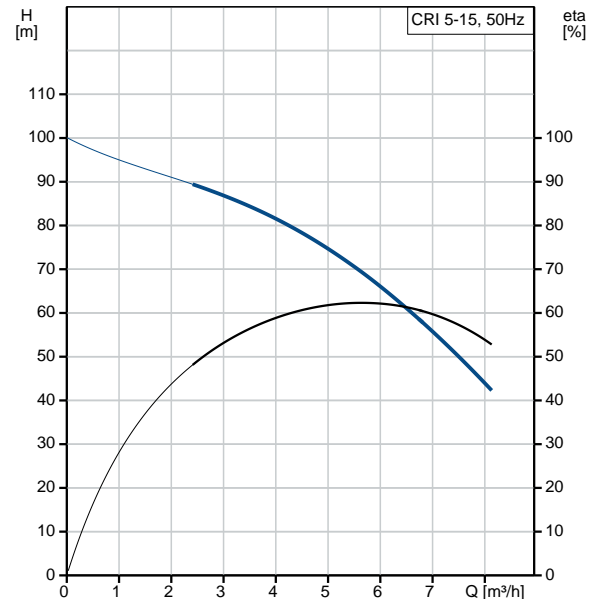
Others:

Minimum efficiency index, MEI :	0.57
Net weight:	46.3 kg
Gross weight:	49.2 kg
Shipping volume:	0.13 m ³
Country of origin:	GB
Custom tariff no.:	84137075

96533290 CRI 5-15 A-FGJ-A-V-HQQV 50 Hz



Description	Value
General information:	
Product name:	CRI 5-15 A-FGJ-A-V-HQQV
Product No:	96533290
EAN number:	5700397443743 5700397443743
Price:	1.660,00 GBP
Technical:	
Pump speed on which pump data are based:	2730 rpm
Rated flow:	5.8 m ³ /h
Rated head:	67.5 m
Head max:	99 m
Stages:	15
Impellers:	15
Number of reduced-diameter impellers:	0
Low NPSH:	N
Pump orientation:	Vertical
Shaft seal arrangement:	Single
Code for shaft seal:	HQQV
Approvals on nameplate:	CE, EAC
Curve tolerance:	ISO9906:2012 3B
Pump version:	A
Model:	A
Materials:	
Base:	Stainless steel EN 1.4408 AISI 316
Impeller:	Stainless steel EN 1.4301 AISI 304
Material code:	A
Code for rubber:	V
Bearing:	SIC
Installation:	
Maximum ambient temperature:	40 °C
Maximum operating pressure:	25 bar
Max pressure at stated temp:	25 bar / 90 °C 25 bar / -20 °C
Type of connection:	DIN / ANSI / JIS
Size of inlet connection:	DN 25/32
Size of outlet connection:	DN 25/32
Pressure rating for pipe connection:	PN 25
Flange rating inlet:	300 lb
Flange size for motor:	FT115
Connect code:	FGJ
Liquid:	
Pumped liquid:	Water
Liquid temperature range:	-20 .. 90 °C
Selected liquid temperature:	20 °C
Density at selected liquid temperature:	998.2 kg/m ³
Electrical data:	
Motor standard:	IEC
Motor type:	90LC
Rated power - P2:	2.2 kW
Power (P2) required by pump:	2.2 kW
Mains frequency:	50 Hz
Rated voltage:	1 x 220-230/240 V
Rated current:	14,0-13,6/12,6 A





Company name:

Created by:

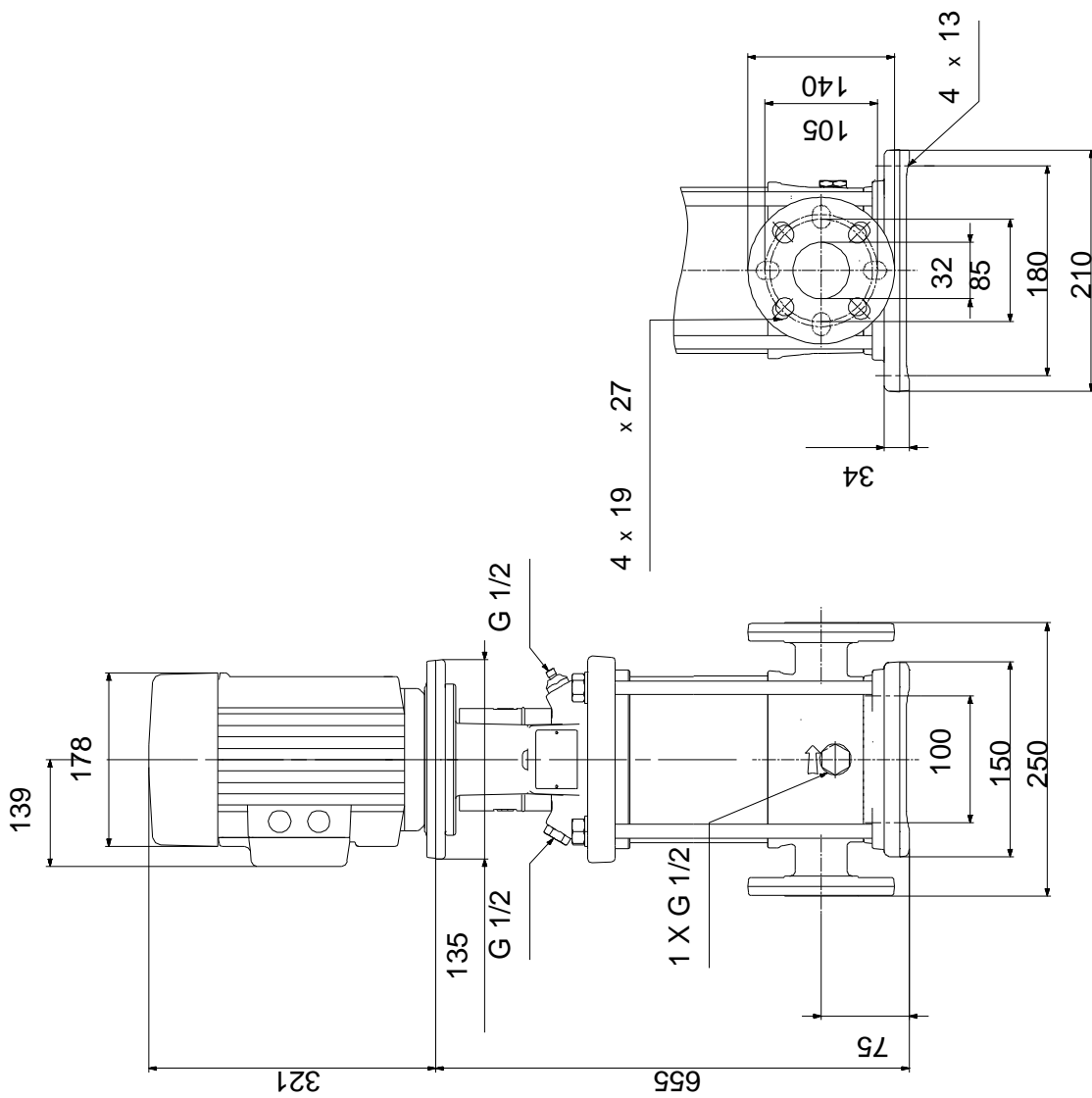
Phone:

Date:

25/09/2019

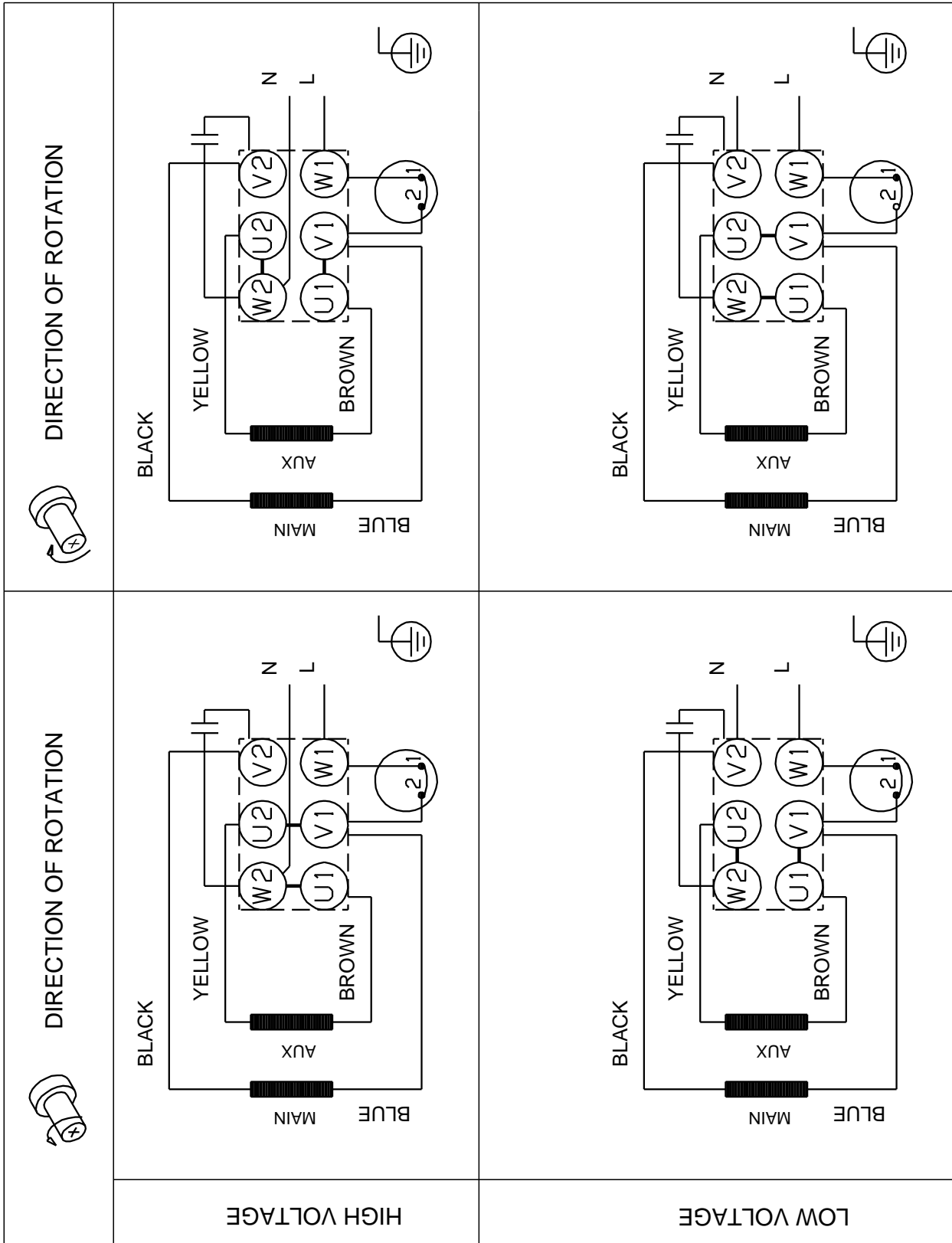
Description	Value
Starting current:	330 %
Cos phi - power factor:	1.00
Rated speed:	2730/2720 rpm
Motor efficiency at full load:	75 %
Number of poles:	2
Enclosure class (IEC 34-5):	55 Dust/Jetting
Insulation class (IEC 85):	F
Motor protec:	PTO
Motor No:	85215708
Controls:	
Frequency converter:	NONE
Others:	
Minimum efficiency index, MEI :	0.57
Net weight:	46.3 kg
Gross weight:	49.2 kg
Shipping volume:	0.13 m ³
Sales region:	GB
Country of origin:	GB
Custom tariff no.:	84137075

96533290 CRI 5-15 A-FGJ-A-V-HQQV 50 Hz



Note! All units are in [mm] unless others are stated.
Disclaimer: This simplified dimensional drawing does not show all details.

96533290 CRI 5-15 A-FGJ-A-V-HQQV 50 Hz



Note! All units are in [mm] unless others are stated.