
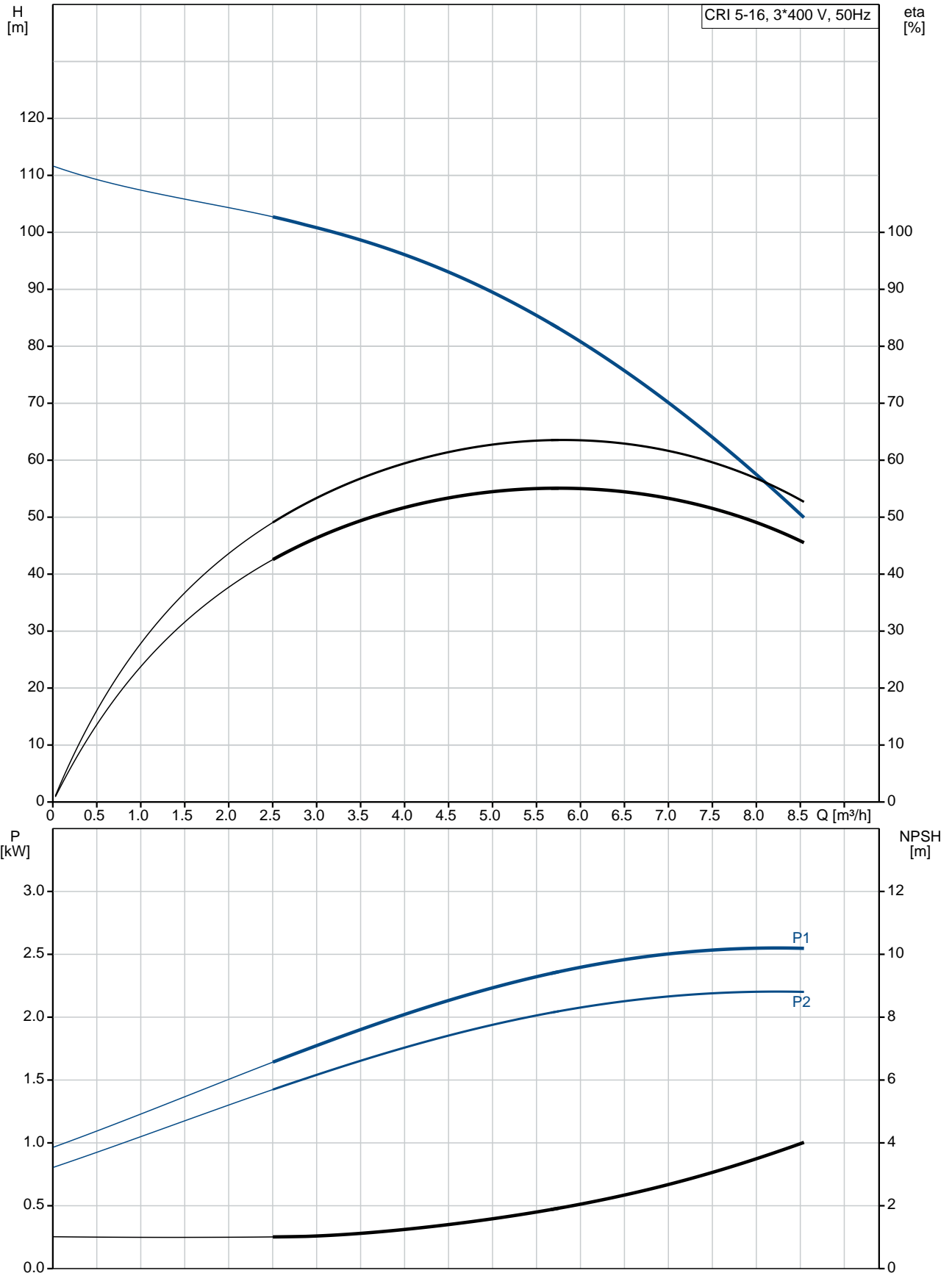


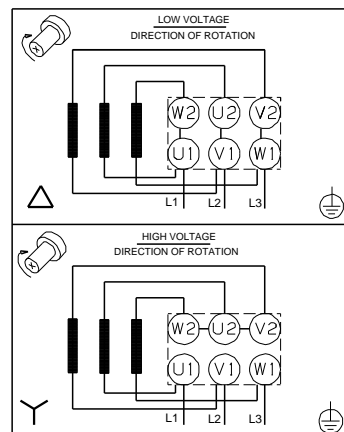
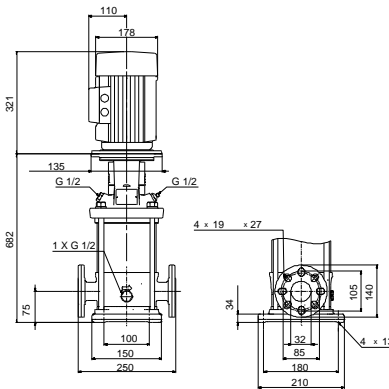
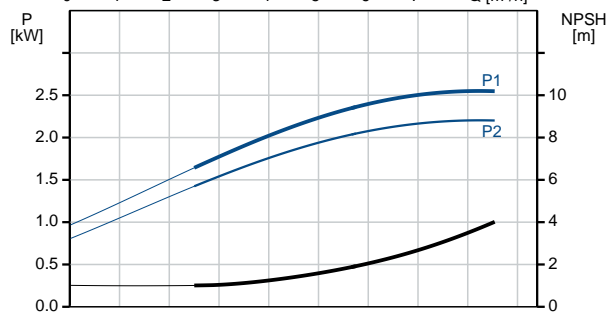
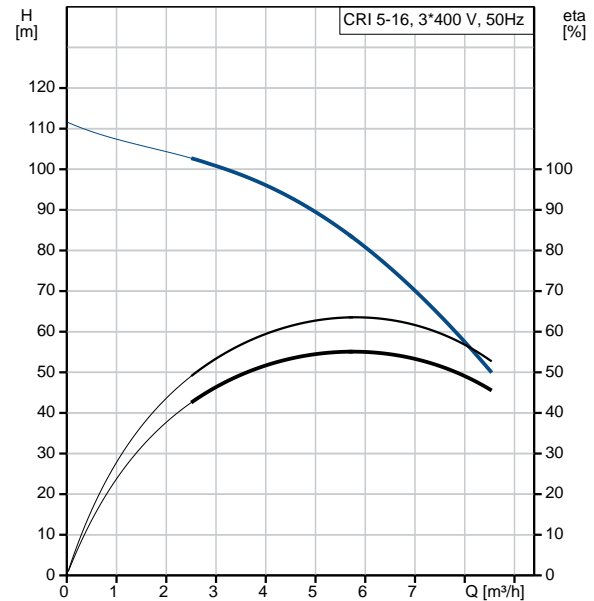
Qty.	Description
1	<p data-bbox="199 336 518 369"><b>CRI 5-16 A-FGJ-A-V-HQQV</b></p>  <p data-bbox="199 660 470 694">Product No.: <a href="#">96528035</a></p> <p data-bbox="199 716 1452 817">Vertical, multistage centrifugal pump with inlet and outlet ports on same the level (inline). Pump materials in contact with the liquid are in stainless steel. A cartridge shaft seal ensures high reliability, safe handling, and easy access and service. Power transmission is via a rigid split coupling. Pipe connection is via combined DIN-ANSI-JIS flanges.</p> <p data-bbox="199 862 933 918">The pump is fitted with a 3-phase, fan-cooled asynchronous motor. The pump is fitted with a 3-phase, fan-cooled asynchronous motor.</p> <p data-bbox="199 952 319 985"><b>Controls:</b></p> <p data-bbox="199 974 638 1008">Frequency converter: NONE</p> <p data-bbox="199 1041 295 1075"><b>Liquid:</b></p> <p data-bbox="199 1064 638 1097">Pumped liquid: Water</p> <p data-bbox="199 1097 694 1131">Liquid temperature range: -20 .. 90 °C</p> <p data-bbox="199 1131 630 1164">Selected liquid temperature: 20 °C</p> <p data-bbox="199 1164 774 1198">Density at selected liquid temperature: 998.2 kg/m<sup>3</sup></p> <p data-bbox="199 1220 327 1254"><b>Technical:</b></p> <p data-bbox="199 1243 821 1276">Pump speed on which pump data are based: 2899 rpm</p> <p data-bbox="199 1276 662 1310">Rated flow: 5.8 m<sup>3</sup>/h</p> <p data-bbox="199 1310 646 1344">Rated head: 80.8 m</p> <p data-bbox="199 1344 646 1377">Pump orientation: Vertical</p> <p data-bbox="199 1377 638 1411">Shaft seal arrangement: Single</p> <p data-bbox="199 1411 638 1444">Code for shaft seal: HQQV</p> <p data-bbox="199 1444 662 1478">Approvals on nameplate: CE, EAC</p> <p data-bbox="199 1478 766 1512">Curve tolerance: ISO9906:2012 3B</p> <p data-bbox="199 1523 327 1556"><b>Materials:</b></p> <p data-bbox="199 1556 726 1635">Base: Stainless steel EN 1.4408 AISI 316</p> <p data-bbox="199 1635 726 1724">Impeller: Stainless steel EN 1.4301 AISI 304</p> <p data-bbox="199 1724 614 1758">Bearing: SIC</p> <p data-bbox="199 1780 343 1814"><b>Installation:</b></p> <p data-bbox="199 1814 630 1848">Maximum ambient temperature: 60 °C</p> <p data-bbox="199 1848 638 1881">Maximum operating pressure: 25 bar</p> <p data-bbox="199 1881 726 1937">Max pressure at stated temp: 25 bar / 90 °C 25 bar / -20 °C</p> <p data-bbox="199 1937 742 1971">Type of connection: DIN / ANSI / JIS</p> <p data-bbox="199 1971 678 2004">Size of inlet connection: DN 25/32</p> <p data-bbox="199 2004 678 2038">Size of outlet connection: DN 25/32</p> <p data-bbox="199 2038 686 2072">Pressure rating for pipe connection: PN 25</p> <p data-bbox="199 2072 638 2105">Flange rating inlet: 300 lb</p> <p data-bbox="199 2105 638 2139">Flange size for motor: FT115</p>

Qty.	Description
	<p><b>Electrical data:</b></p> <p>Motor standard: IEC</p> <p>Motor type: 90LC</p> <p>IE Efficiency class: IE3</p> <p>Rated power - P2: 2.2 kW</p> <p>Power (P2) required by pump: 2.2 kW</p> <p>Mains frequency: 50 Hz</p> <p>Rated voltage: 3 x 220-240D/380-415Y V</p> <p>Rated current: 7.70/4.45 A</p> <p>Starting current: 850-950 %</p> <p>Cos phi - power factor: 0.89-0.87</p> <p>Rated speed: 2890-2910 rpm</p> <p>Efficiency: IE3 85,9%</p> <p>Motor efficiency at full load: 85.9 %</p> <p>Motor efficiency at 3/4 load: 86.8 %</p> <p>Motor efficiency at 1/2 load: 86.0 %</p> <p>Number of poles: 2</p> <p>Enclosure class (IEC 34-5): 55 Dust/Jetting</p> <p>Insulation class (IEC 85): F</p> <p>Motor No: 85U05908</p> <p><b>Others:</b></p> <p>Minimum efficiency index, MEI : 0.57</p> <p>Net weight: 44.6 kg</p> <p>Gross weight: 47.5 kg</p> <p>Shipping volume: 0.13 m<sup>3</sup></p> <p>Country of origin: GB</p> <p>Custom tariff no.: 84137075</p>

## 96528035 CRI 5-16 A-FGJ-A-V-HQQV 50 Hz



Description	Value
<b>General information:</b>	
Product name:	CRI 5-16 A-FGJ-A-V-HQQV
Product No:	96528035
EAN number:	5700397108345 5700397108345
Price:	1.479,00 GBP
<b>Technical:</b>	
Pump speed on which pump data are based:	2899 rpm
Rated flow:	5.8 m <sup>3</sup> /h
Rated head:	80.8 m
Head max:	108.4 m
Stages:	16
Impellers:	16
Number of reduced-diameter impellers:	0
Low NPSH:	N
Pump orientation:	Vertical
Shaft seal arrangement:	Single
Code for shaft seal:	HQQV
Approvals on nameplate:	CE, EAC
Curve tolerance:	ISO9906:2012 3B
Pump version:	A
Model:	A
<b>Materials:</b>	
Base:	Stainless steel EN 1.4408 AISI 316
Impeller:	Stainless steel EN 1.4301 AISI 304
Material code:	A
Code for rubber:	V
Bearing:	SIC
<b>Installation:</b>	
Maximum ambient temperature:	60 °C
Maximum operating pressure:	25 bar
Max pressure at stated temp:	25 bar / 90 °C 25 bar / -20 °C
Type of connection:	DIN / ANSI / JIS
Size of inlet connection:	DN 25/32
Size of outlet connection:	DN 25/32
Pressure rating for pipe connection:	PN 25
Flange rating inlet:	300 lb
Flange size for motor:	FT115
Connect code:	FGJ
<b>Liquid:</b>	
Pumped liquid:	Water
Liquid temperature range:	-20 .. 90 °C
Selected liquid temperature:	20 °C
Density at selected liquid temperature:	998.2 kg/m <sup>3</sup>
<b>Electrical data:</b>	
Motor standard:	IEC
Motor type:	90LC
IE Efficiency class:	IE3
Rated power - P2:	2.2 kW
Power (P2) required by pump:	2.2 kW
Mains frequency:	50 Hz





Company name:

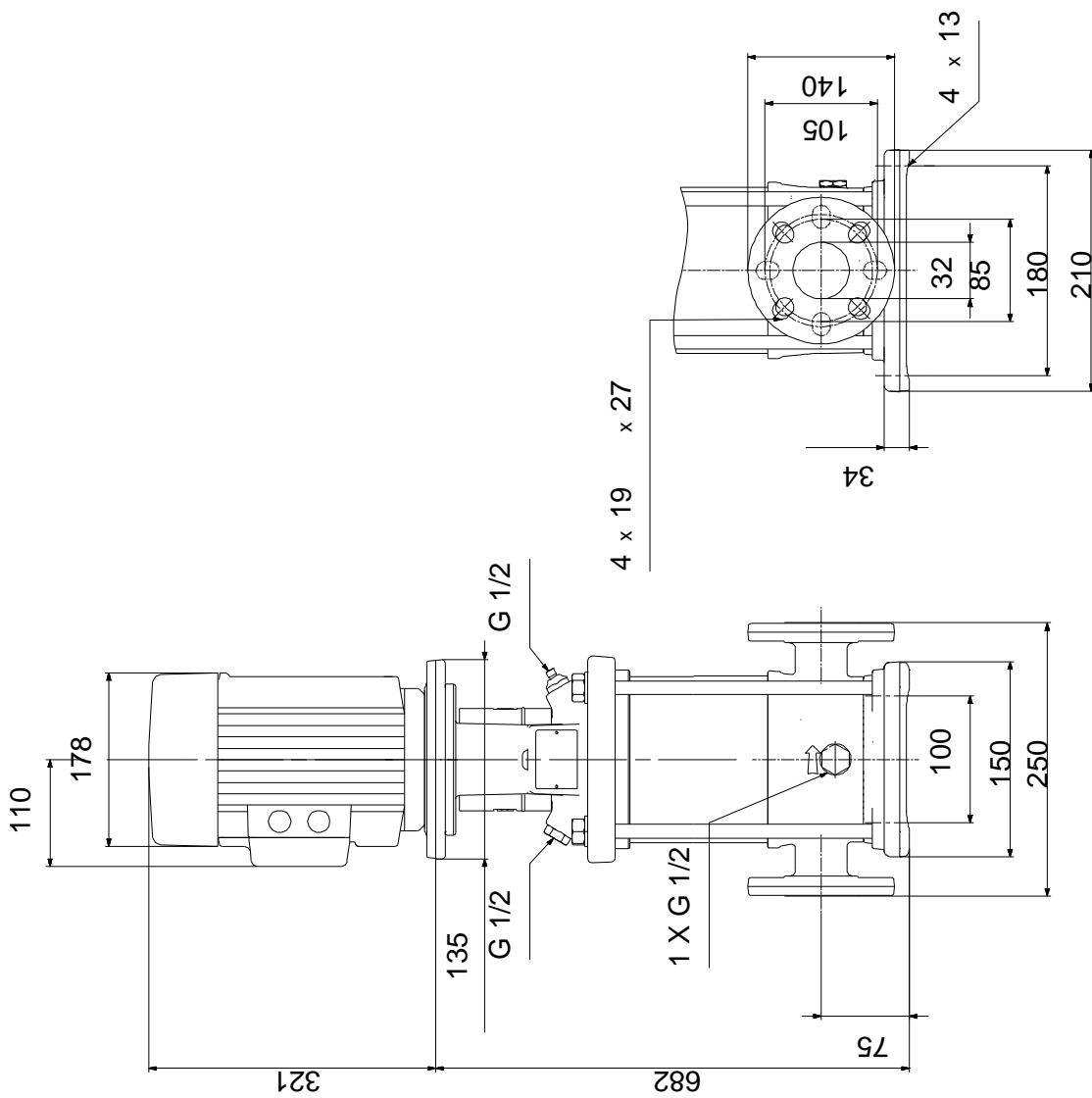
Created by:

Phone:

Date: 25/09/2019

Description	Value
Rated voltage:	3 x 220-240D/380-415Y V
Rated current:	7.70/4.45 A
Starting current:	850-950 %
Cos phi - power factor:	0.89-0.87
Rated speed:	2890-2910 rpm
Efficiency:	IE3 85,9%
Motor efficiency at full load:	85.9 %
Motor efficiency at 3/4 load:	86.8 %
Motor efficiency at 1/2 load:	86.0 %
Number of poles:	2
Enclosure class (IEC 34-5):	55 Dust/Jetting
Insulation class (IEC 85):	F
Motor protec:	NONE
Motor No:	85U05908
<b>Controls:</b>	
Frequency converter:	NONE
<b>Others:</b>	
Minimum efficiency index, MEI :	0.57
Net weight:	44.6 kg
Gross weight:	47.5 kg
Shipping volume:	0.13 m <sup>3</sup>
Sales region:	GB
Country of origin:	GB
Custom tariff no.:	84137075

## 96528035 CRI 5-16 A-FGJ-A-V-HQQV 50 Hz



Note! All units are in [mm] unless others are stated.  
 Disclaimer: This simplified dimensional drawing does not show all details.

**96528035 CRI 5-16 A-FGJ-A-V-HQQV 50 Hz**



Note! All units are in [mm] unless others are stated.