


Qty.	Description
1	<p data-bbox="199 340 502 362">CRI 10-4 A-CA-A-V-HQQV</p> <div data-bbox="347 380 443 638" style="text-align: center;">  </div> <p data-bbox="199 660 470 683">Product No.: 96500942</p> <p data-bbox="199 716 1460 795">Vertical, multistage centrifugal pump with inlet and outlet ports on same the level (inline). Pump materials in contact with the liquid are in stainless steel. A cartridge shaft seal ensures high reliability, safe handling, and easy access and service. Power transmission is via a rigid split coupling. Pipe connection is via FlexiClamps.</p> <p data-bbox="199 828 933 851">The pump is fitted with a 1-phase, fan-cooled asynchronous motor.</p> <p data-bbox="199 862 933 884">The pump is fitted with a 1-phase, fan-cooled asynchronous motor.</p> <p data-bbox="199 918 319 940">Controls:</p> <p data-bbox="199 952 638 974">Frequency converter: NONE</p> <p data-bbox="199 1008 287 1030">Liquid:</p> <p data-bbox="199 1041 638 1064">Pumped liquid: Water</p> <p data-bbox="199 1075 694 1097">Liquid temperature range: -20 .. 90 °C</p> <p data-bbox="199 1108 630 1131">Selected liquid temperature: 20 °C</p> <p data-bbox="199 1142 774 1164">Density at selected liquid temperature: 998.2 kg/m³</p> <p data-bbox="199 1198 327 1220">Technical:</p> <p data-bbox="199 1232 821 1254">Pump speed on which pump data are based: 2767 rpm</p> <p data-bbox="199 1265 654 1288">Rated flow: 10 m³/h</p> <p data-bbox="199 1299 646 1321">Rated head: 29.2 m</p> <p data-bbox="199 1332 654 1355">Pump orientation: Vertical</p> <p data-bbox="199 1366 638 1388">Shaft seal arrangement: Single</p> <p data-bbox="199 1400 638 1422">Code for shaft seal: HQQV</p> <p data-bbox="199 1433 670 1456">Approvals on nameplate: CE, EAC</p> <p data-bbox="199 1467 766 1489">Curve tolerance: ISO9906:2012 3B</p> <p data-bbox="199 1523 319 1545">Materials:</p> <p data-bbox="199 1556 726 1601">Base: Stainless steel EN 1.4408 AISI 316</p> <p data-bbox="199 1612 726 1657">Impeller: Stainless steel EN 1.4301 AISI 304</p> <p data-bbox="199 1668 606 1713">Bearing: SIC</p> <p data-bbox="199 1758 343 1780">Installation:</p> <p data-bbox="199 1792 630 1814">Maximum ambient temperature: 40 °C</p> <p data-bbox="199 1825 638 1848">Maximum operating pressure: 16 bar</p> <p data-bbox="199 1859 734 1904">Max pressure at stated temp: 16 bar / 90 °C 16 bar / -20 °C</p> <p data-bbox="199 1915 694 1937">Type of connection: FlexiClamp</p> <p data-bbox="199 1948 638 1971">Size of inlet connection: DN 50</p> <p data-bbox="199 1982 638 2004">Size of outlet connection: DN 50</p> <p data-bbox="199 2016 686 2038">Pressure rating for pipe connection: PN 25</p> <p data-bbox="199 2049 638 2072">Flange size for motor: FT115</p>

Qty.	Description
------	-------------

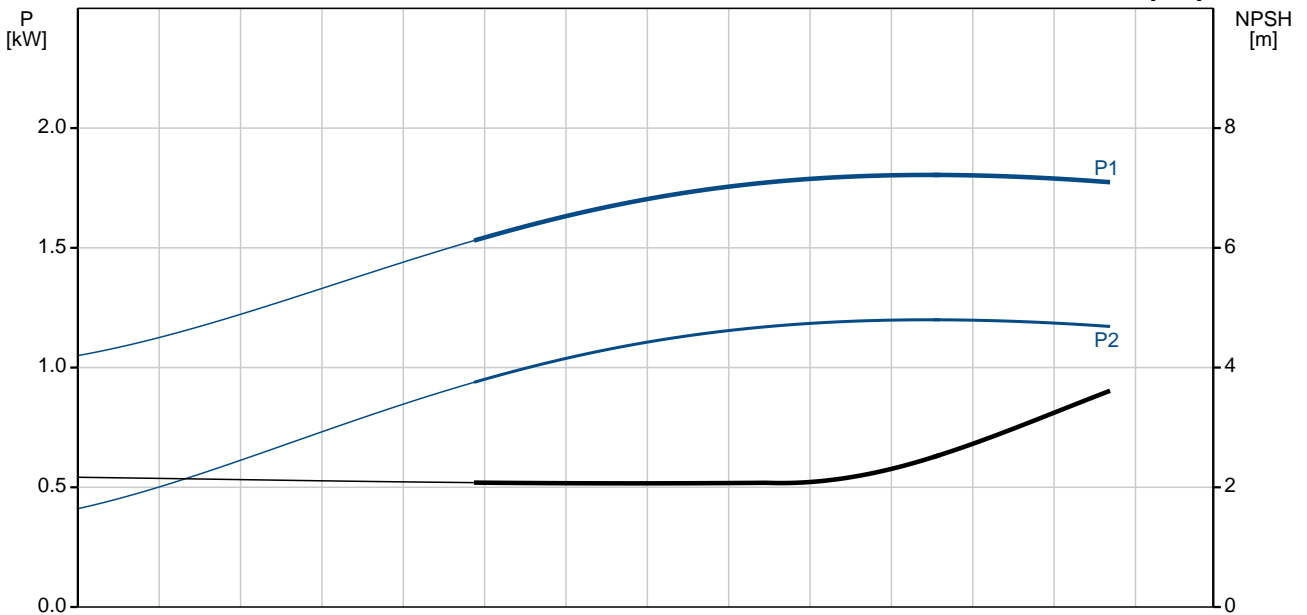
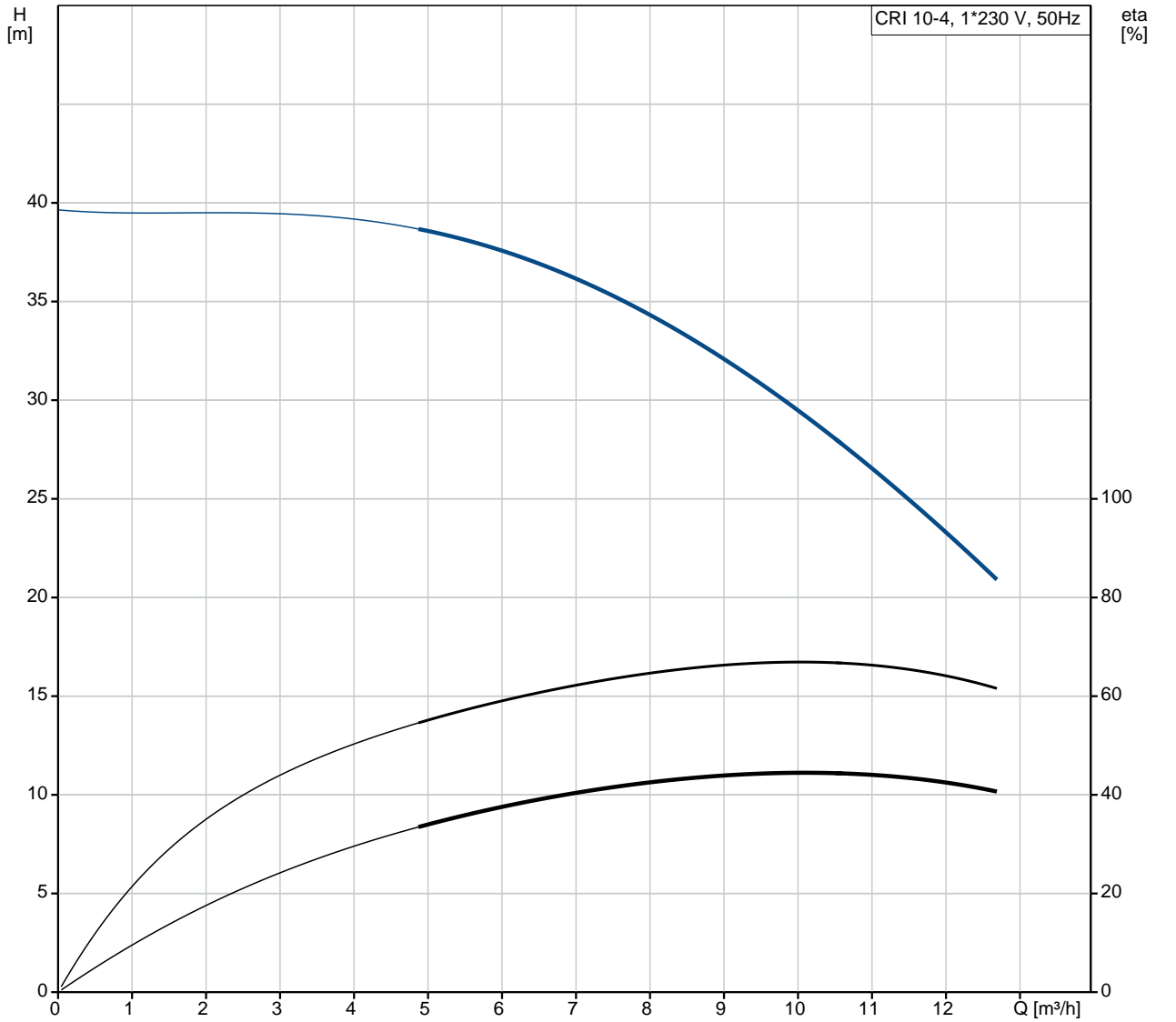
Electrical data:

Motor standard:	IEC
Motor type:	90LB
Rated power - P2:	1.5 kW
Power (P2) required by pump:	1.5 kW
Mains frequency:	50 Hz
Rated voltage:	1 x 220-230/240 V
Rated current:	9.90/8.90 A
Starting current:	390 %
Cos phi - power factor:	0.98/0.99
Rated speed:	2750/2740 rpm
Motor efficiency at full load:	72-70 %
Number of poles:	2
Enclosure class (IEC 34-5):	55 Dust/Jetting
Insulation class (IEC 85):	F
Motor No:	85215706

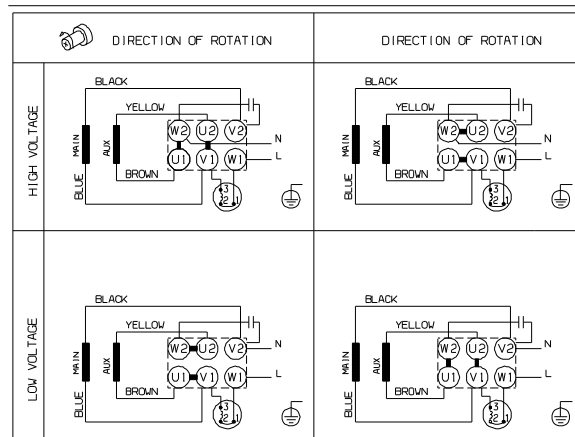
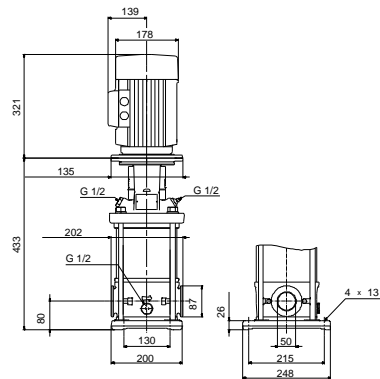
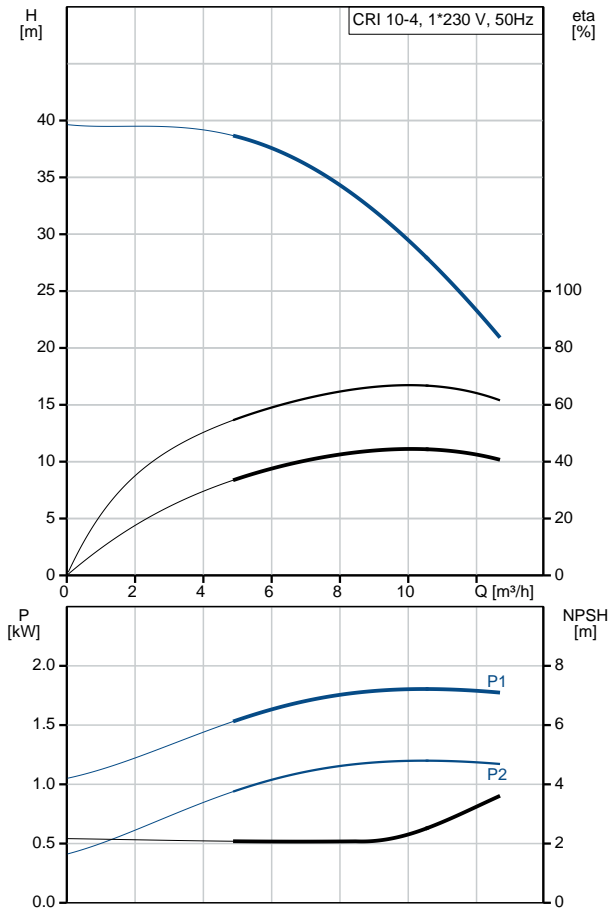
Others:

Minimum efficiency index, MEI :	0.70
Net weight:	46 kg
Gross weight:	49 kg
Shipping volume:	0.104 m ³
Country of origin:	GB
Custom tariff no.:	84137075

96500942 CRI 10-4 A-CA-A-V-HQQV 50 Hz



Description	Value
General information:	
Product name:	CRI 10-4 A-CA-A-V-HQQV
Product No:	96500942
EAN number:	5700396212197 5700396212197
Price:	1.584,00 GBP
Technical:	
Pump speed on which pump data are based:	2767 rpm
Rated flow:	10 m ³ /h
Rated head:	29.2 m
Head max:	39.9 m
Stages:	4
Impellers:	4
Number of reduced-diameter impellers:	0
Low NPSH:	N
Pump orientation:	Vertical
Shaft seal arrangement:	Single
Code for shaft seal:	HQQV
Approvals on nameplate:	CE, EAC
Curve tolerance:	ISO9906:2012 3B
Pump version:	A
Model:	A
Materials:	
Base:	Stainless steel EN 1.4408 AISI 316
Impeller:	Stainless steel EN 1.4301 AISI 304
Material code:	A
Code for rubber:	V
Bearing:	SIC
Installation:	
Maximum ambient temperature:	40 °C
Maximum operating pressure:	16 bar
Max pressure at stated temp:	16 bar / 90 °C 16 bar / -20 °C
Type of connection:	FlexiClamp
Size of inlet connection:	DN 50
Size of outlet connection:	DN 50
Pressure rating for pipe connection:	PN 25
Flange size for motor:	FT115
Connect code:	CA
Liquid:	
Pumped liquid:	Water
Liquid temperature range:	-20 .. 90 °C
Selected liquid temperature:	20 °C
Density at selected liquid temperature:	998.2 kg/m ³
Electrical data:	
Motor standard:	IEC
Motor type:	90LB
Rated power - P2:	1.5 kW
Power (P2) required by pump:	1.5 kW
Mains frequency:	50 Hz
Rated voltage:	1 x 220-230/240 V
Rated current:	9.90/8.90 A
Starting current:	390 %





Company name:

Created by:

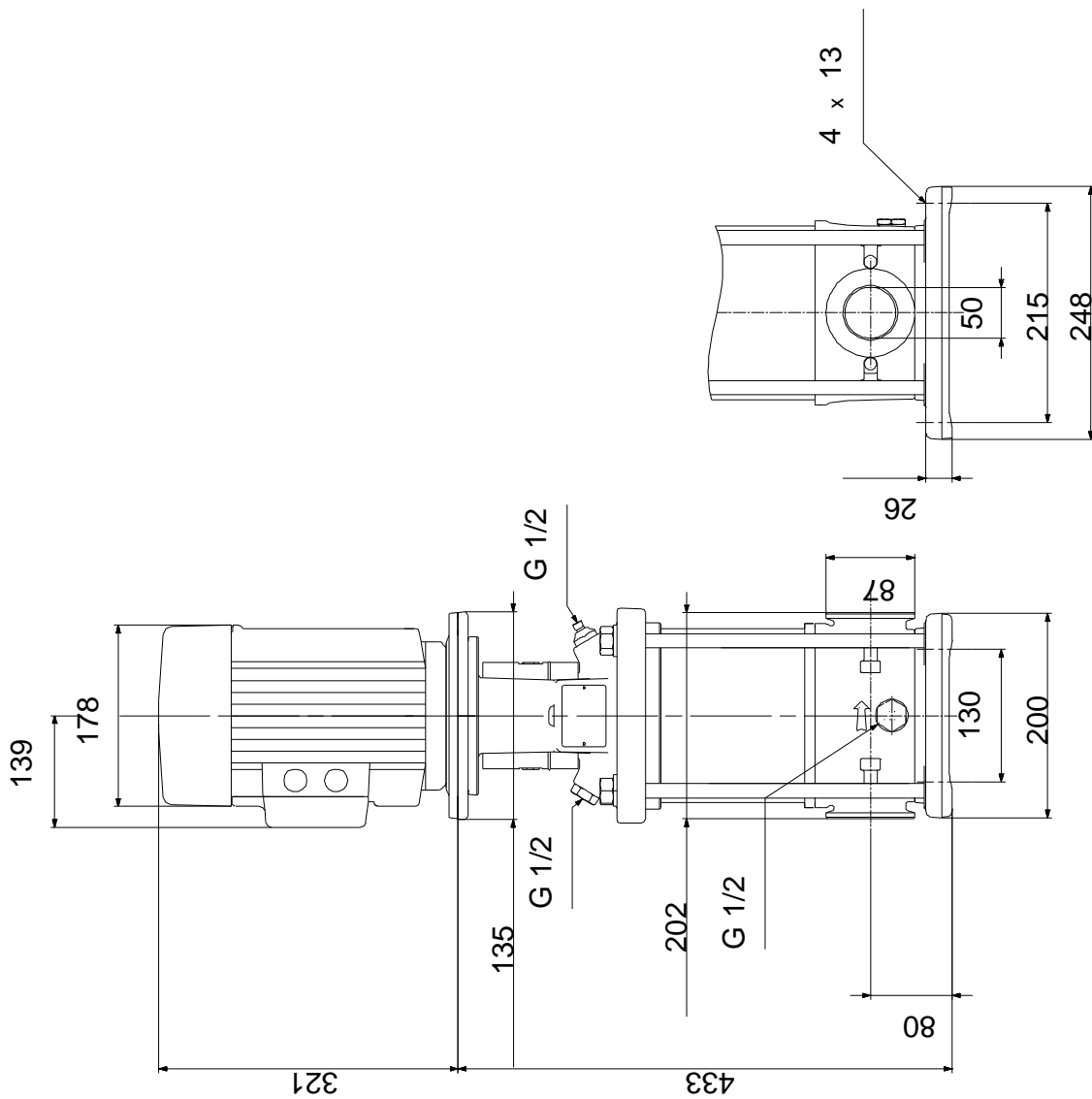
Phone:

Date:

25/09/2019

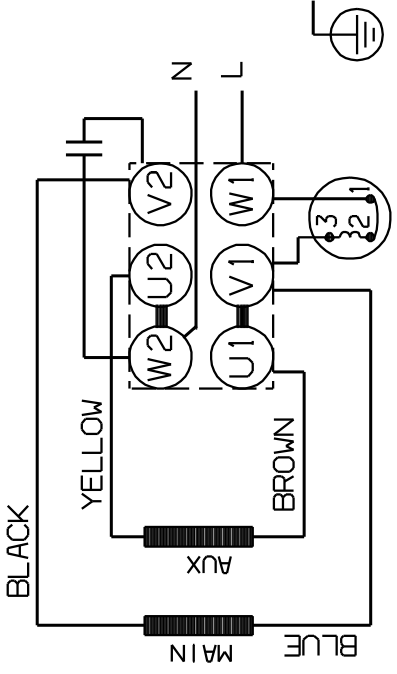
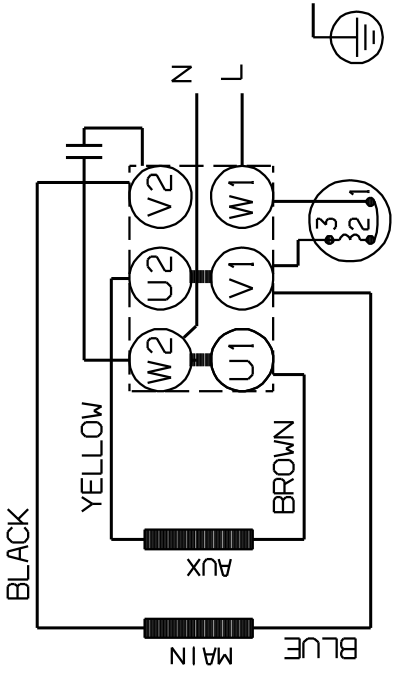
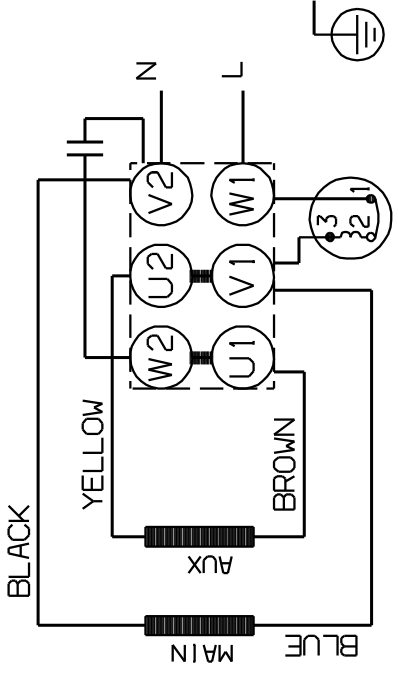
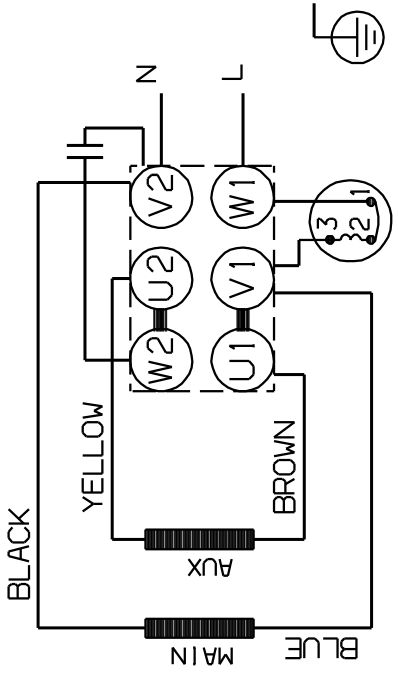
Description	Value
Cos phi - power factor:	0.98/0.99
Rated speed:	2750/2740 rpm
Motor efficiency at full load:	72-70 %
Number of poles:	2
Enclosure class (IEC 34-5):	55 Dust/Jetting
Insulation class (IEC 85):	F
Motor protec:	PTO
Motor No:	85215706
Controls:	
Frequency converter:	NONE
Others:	
Minimum efficiency index, MEI :	0.70
Net weight:	46 kg
Gross weight:	49 kg
Shipping volume:	0.104 m ³
Country of origin:	GB
Custom tariff no.:	84137075

96500942 CRI 10-4 A-CA-A-V-HQQV 50 Hz



Note! All units are in [mm] unless others are stated.
Disclaimer: This simplified dimensional drawing does not show all details.

96500942 CRI 10-4 A-CA-A-V-HQQV 50 Hz

DIRECTION OF ROTATION	
DIRECTION OF ROTATION	
	
	

Note! All units are in [mm] unless others are stated.