
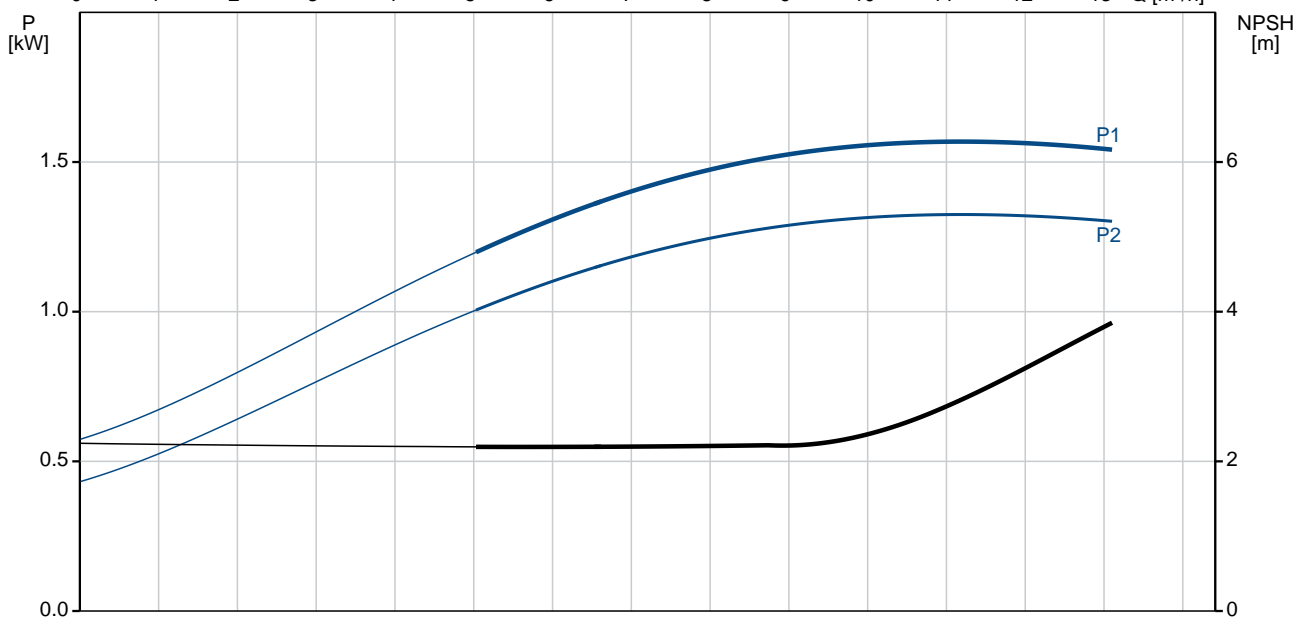
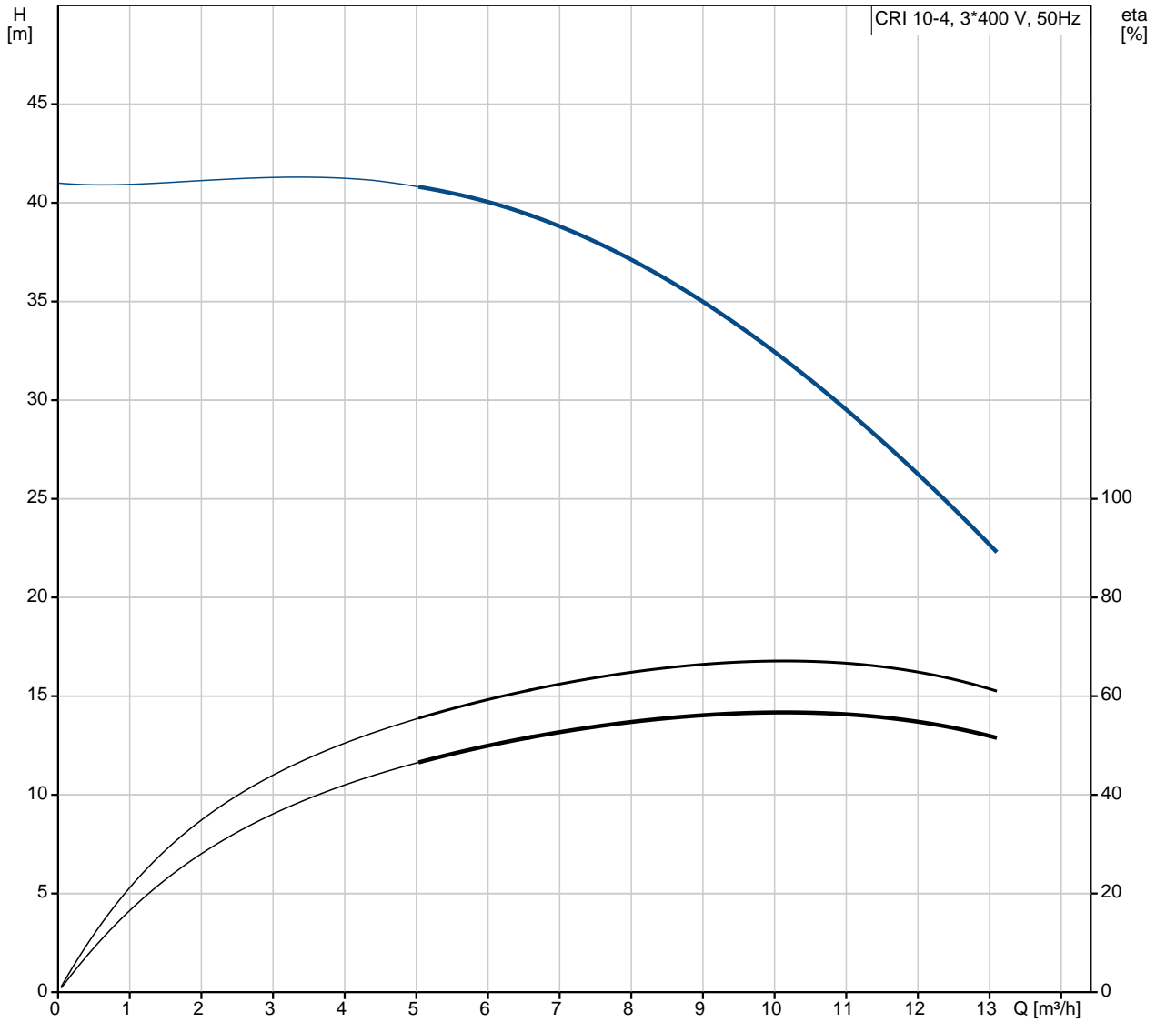


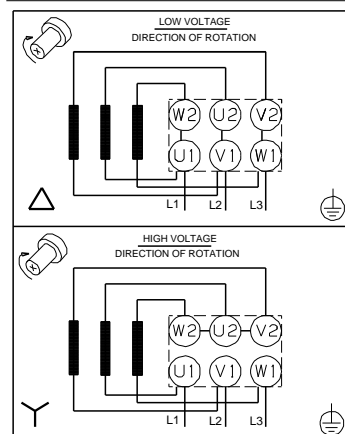
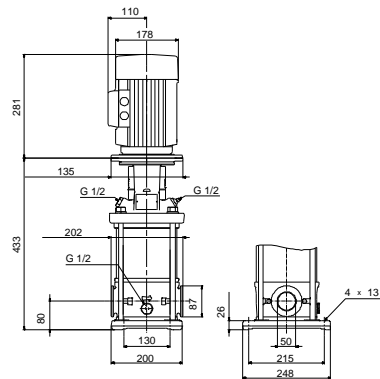
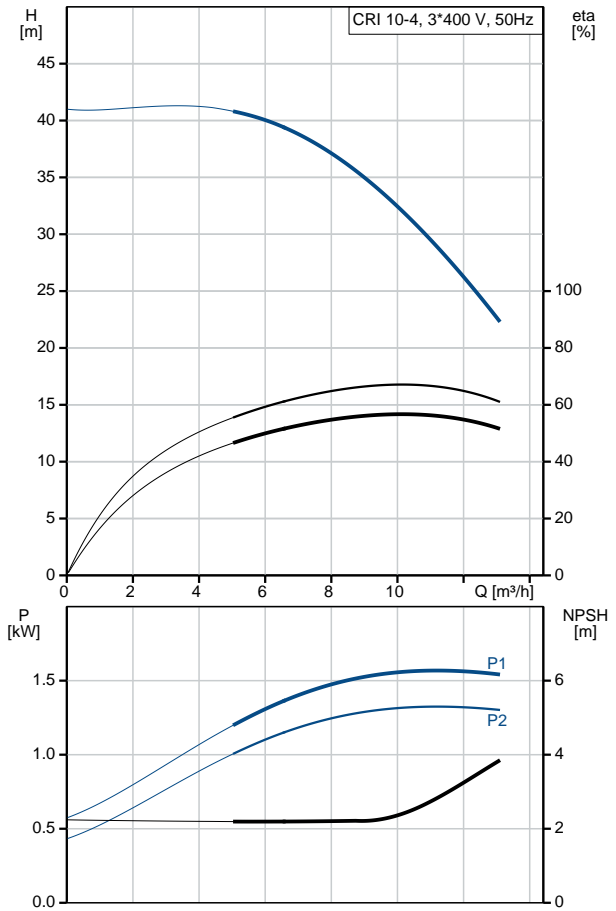
Qty.	Description
1	<p data-bbox="199 338 502 369">CRI 10-4 A-CA-A-V-HQQV</p>  <p data-bbox="199 663 469 689">Product No.: 96501152</p> <p data-bbox="199 719 1449 797">Vertical, multistage centrifugal pump with inlet and outlet ports on same the level (inline). Pump materials in contact with the liquid are in stainless steel. A cartridge shaft seal ensures high reliability, safe handling, and easy access and service. Power transmission is via a rigid split coupling. Pipe connection is via FlexiClamps.</p> <p data-bbox="199 835 936 862">The pump is fitted with a 3-phase, fan-cooled asynchronous motor.</p> <p data-bbox="199 864 936 891">The pump is fitted with a 3-phase, fan-cooled asynchronous motor.</p> <p data-bbox="199 925 316 952">Controls:</p> <p data-bbox="199 954 638 981">Frequency converter: NONE</p> <p data-bbox="199 1014 288 1041">Liquid:</p> <p data-bbox="199 1043 635 1070">Pumped liquid: Water</p> <p data-bbox="199 1072 692 1099">Liquid temperature range: -20 .. 90 °C</p> <p data-bbox="199 1102 632 1128">Selected liquid temperature: 20 °C</p> <p data-bbox="199 1131 778 1158">Density at selected liquid temperature: 998.2 kg/m³</p> <p data-bbox="199 1191 328 1218">Technical:</p> <p data-bbox="199 1220 821 1247">Pump speed on which pump data are based: 2896 rpm</p> <p data-bbox="199 1249 651 1276">Rated flow: 10 m³/h</p> <p data-bbox="199 1279 644 1305">Rated head: 31.9 m</p> <p data-bbox="199 1308 651 1335">Pump orientation: Vertical</p> <p data-bbox="199 1337 635 1364">Shaft seal arrangement: Single</p> <p data-bbox="199 1366 639 1393">Code for shaft seal: HQQV</p> <p data-bbox="199 1395 667 1422">Approvals on nameplate: CE, EAC</p> <p data-bbox="199 1424 762 1451">Curve tolerance: ISO9906:2012 3B</p> <p data-bbox="199 1485 320 1512">Materials:</p> <p data-bbox="199 1514 727 1585">Base: Stainless steel EN 1.4408 AISI 316</p> <p data-bbox="199 1610 727 1682">Impeller: Stainless steel EN 1.4301 AISI 304</p> <p data-bbox="199 1697 608 1724">Bearing: SIC</p> <p data-bbox="199 1758 344 1785">Installation:</p> <p data-bbox="199 1787 632 1814">Maximum ambient temperature: 60 °C</p> <p data-bbox="199 1816 639 1843">Maximum operating pressure: 16 bar</p> <p data-bbox="199 1845 735 1917">Max pressure at stated temp: 16 bar / 90 °C 16 bar / -20 °C</p> <p data-bbox="199 1906 692 1933">Type of connection: FlexiClamp</p> <p data-bbox="199 1935 639 1962">Size of inlet connection: DN 50</p> <p data-bbox="199 1964 639 1991">Size of outlet connection: DN 50</p> <p data-bbox="199 1993 686 2020">Pressure rating for pipe connection: PN 25</p> <p data-bbox="199 2022 639 2049">Flange size for motor: FT115</p>

Qty.	Description
	<p>Electrical data:</p> <p>Motor standard: IEC</p> <p>Motor type: 90SB</p> <p>IE Efficiency class: IE3</p> <p>Rated power - P2: 1.5 kW</p> <p>Power (P2) required by pump: 1.5 kW</p> <p>Mains frequency: 50 Hz</p> <p>Rated voltage: 3 x 220-240D/380-415Y V</p> <p>Rated current: 5.45/3.15 A</p> <p>Starting current: 850-930 %</p> <p>Cos phi - power factor: 0.87-0.82</p> <p>Rated speed: 2890-2910 rpm</p> <p>Efficiency: IE3 84,2%</p> <p>Motor efficiency at full load: 84.2 %</p> <p>Motor efficiency at 3/4 load: 84.5 %</p> <p>Motor efficiency at 1/2 load: 83.1 %</p> <p>Number of poles: 2</p> <p>Enclosure class (IEC 34-5): 55 Dust/Jetting</p> <p>Insulation class (IEC 85): F</p> <p>Motor No: 85U05906</p> <p>Others:</p> <p>Minimum efficiency index, MEI : 0.70</p> <p>Net weight: 45 kg</p> <p>Gross weight: 48 kg</p> <p>Shipping volume: 0.094 m³</p> <p>Country of origin: GB</p> <p>Custom tariff no.: 84137075</p>

96501152 CRI 10-4 A-CA-A-V-HQQV 50 Hz



Description	Value
General information:	
Product name:	CRI 10-4 A-CA-A-V-HQQV
Product No:	96501152
EAN number:	5700396216393 5700396216393
Price:	1.388,00 GBP
Technical:	
Pump speed on which pump data are based:	2896 rpm
Rated flow:	10 m ³ /h
Rated head:	31.9 m
Head max:	40.8 m
Stages:	4
Impellers:	4
Number of reduced-diameter impellers:	0
Low NPSH:	N
Pump orientation:	Vertical
Shaft seal arrangement:	Single
Code for shaft seal:	HQQV
Approvals on nameplate:	CE, EAC
Curve tolerance:	ISO9906:2012 3B
Pump version:	A
Model:	A
Materials:	
Base:	Stainless steel EN 1.4408 AISI 316
Impeller:	Stainless steel EN 1.4301 AISI 304
Material code:	A
Code for rubber:	V
Bearing:	SIC
Installation:	
Maximum ambient temperature:	60 °C
Maximum operating pressure:	16 bar
Max pressure at stated temp:	16 bar / 90 °C 16 bar / -20 °C
Type of connection:	FlexiClamp
Size of inlet connection:	DN 50
Size of outlet connection:	DN 50
Pressure rating for pipe connection:	PN 25
Flange size for motor:	FT115
Connect code:	CA
Liquid:	
Pumped liquid:	Water
Liquid temperature range:	-20 .. 90 °C
Selected liquid temperature:	20 °C
Density at selected liquid temperature:	998.2 kg/m ³
Electrical data:	
Motor standard:	IEC
Motor type:	90SB
IE Efficiency class:	IE3
Rated power - P2:	1.5 kW
Power (P2) required by pump:	1.5 kW
Mains frequency:	50 Hz
Rated voltage:	3 x 220-240D/380-415Y V





Company name:

Created by:

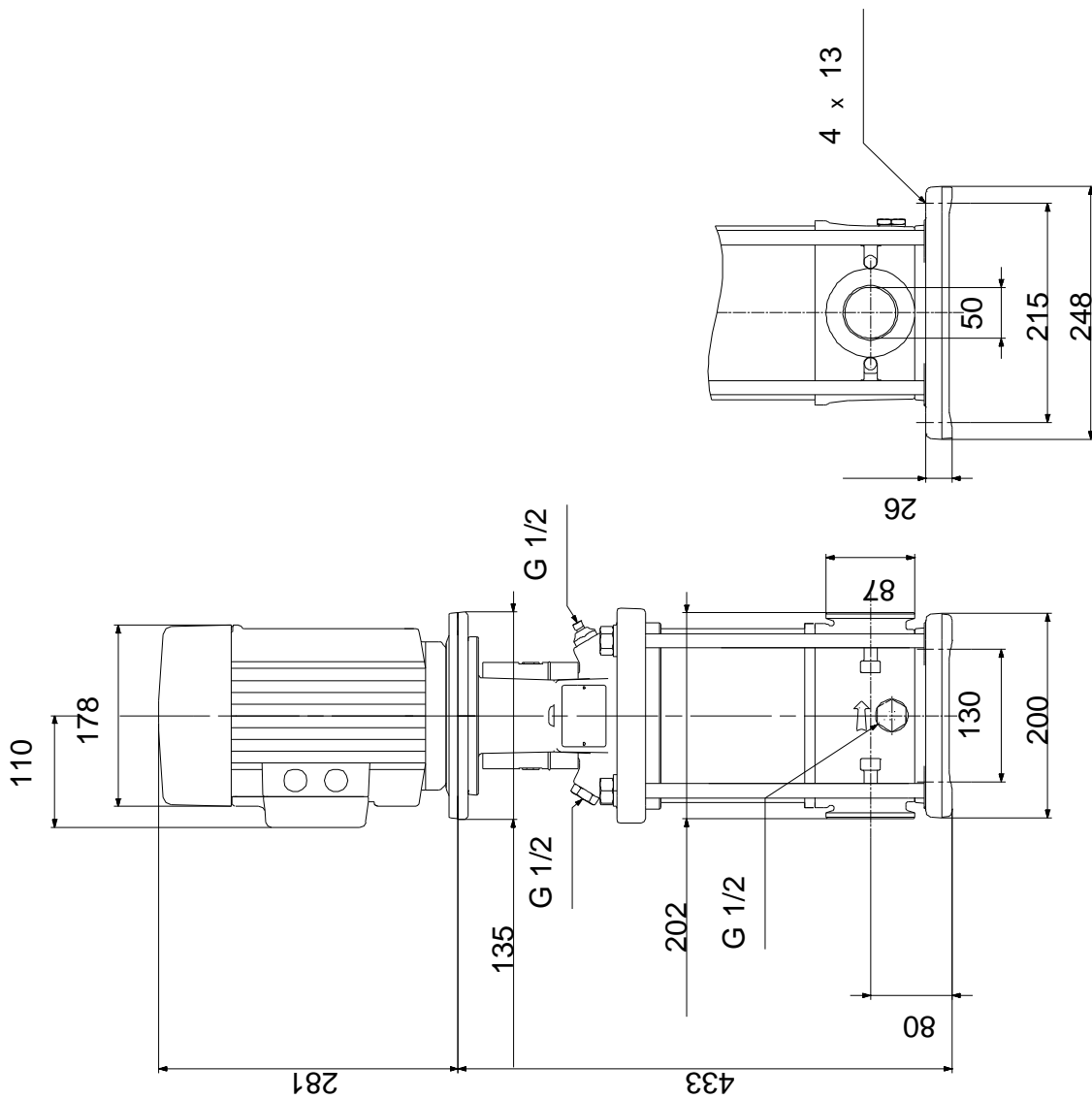
Phone:

Date:

25/09/2019

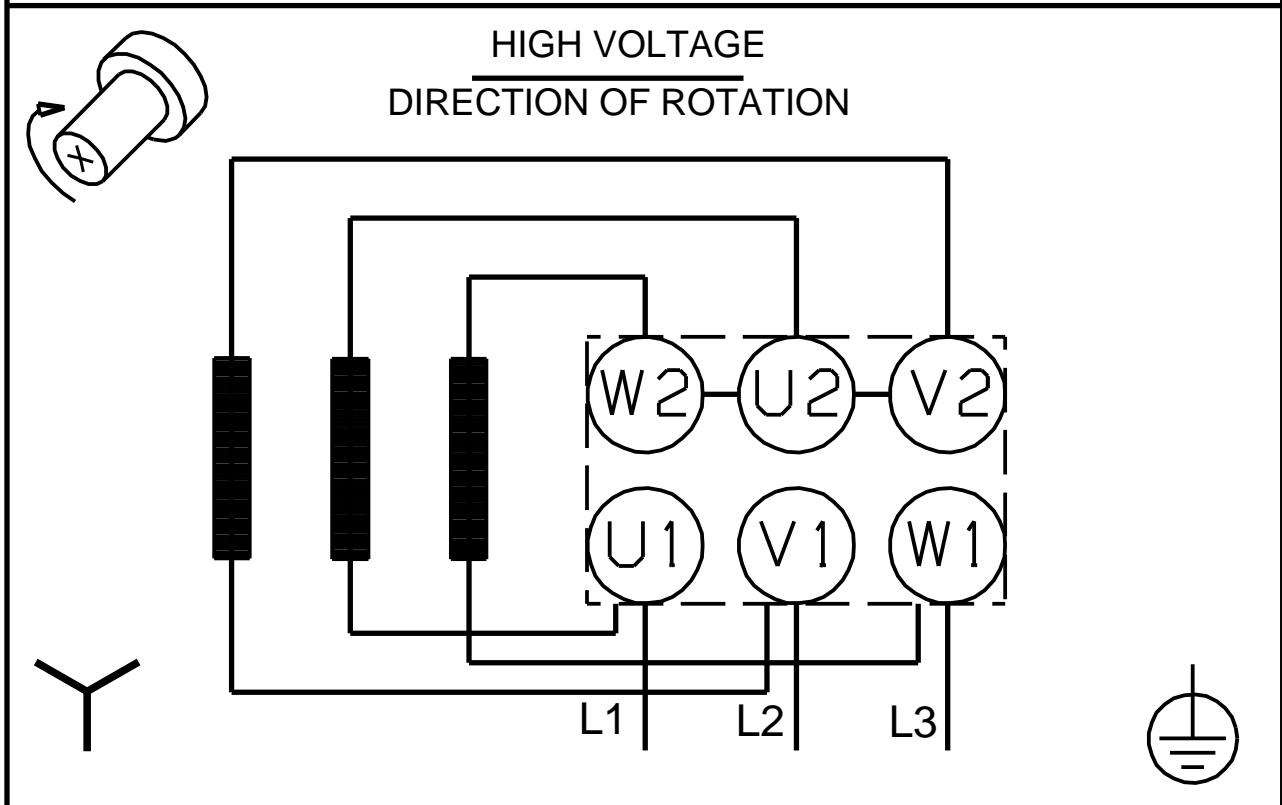
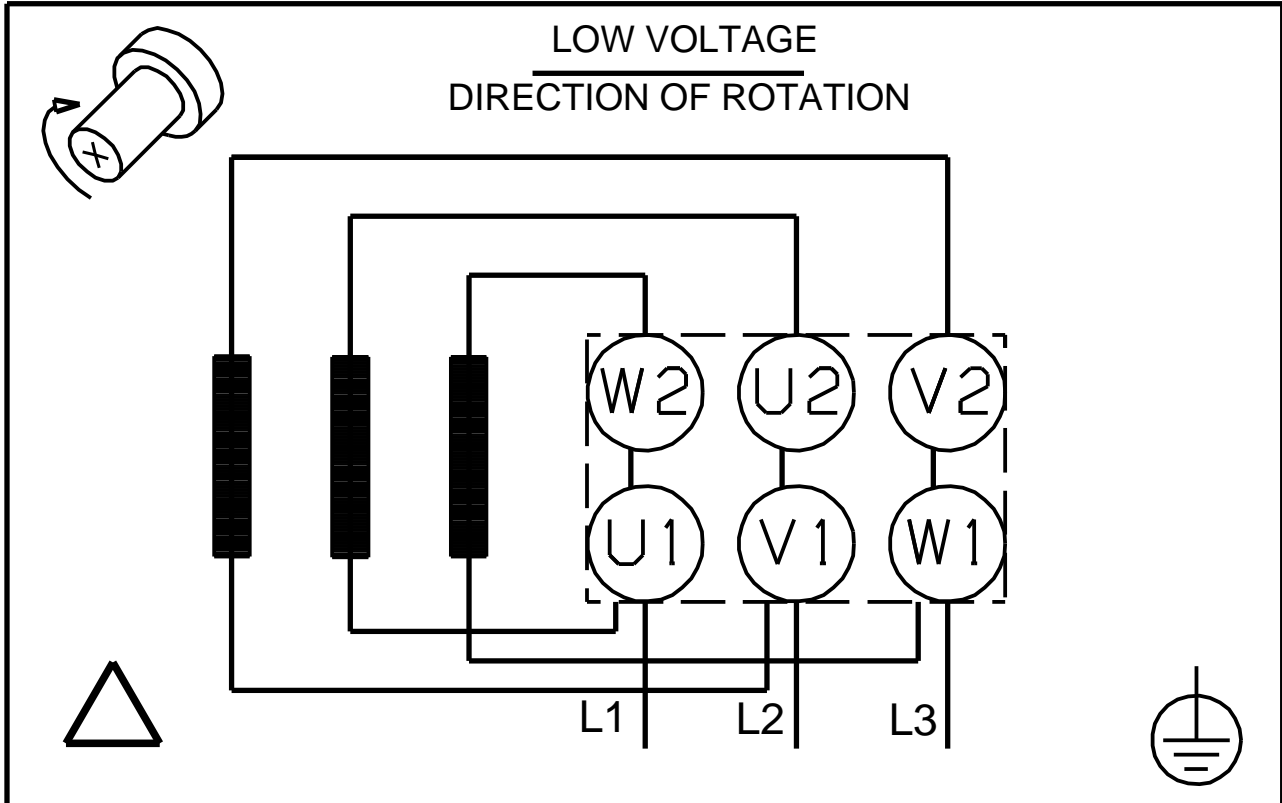
Description	Value
Rated current:	5.45/3.15 A
Starting current:	850-930 %
Cos phi - power factor:	0.87-0.82
Rated speed:	2890-2910 rpm
Efficiency:	IE3 84,2%
Motor efficiency at full load:	84.2 %
Motor efficiency at 3/4 load:	84.5 %
Motor efficiency at 1/2 load:	83.1 %
Number of poles:	2
Enclosure class (IEC 34-5):	55 Dust/Jetting
Insulation class (IEC 85):	F
Motor protec:	NONE
Motor No:	85U05906
Controls:	
Frequency converter:	NONE
Others:	
Minimum efficiency index, MEI :	0.70
Net weight:	45 kg
Gross weight:	48 kg
Shipping volume:	0.094 m ³
Country of origin:	GB
Custom tariff no.:	84137075

96501152 CRI 10-4 A-CA-A-V-HQQV 50 Hz



Note! All units are in [mm] unless others are stated.
Disclaimer: This simplified dimensional drawing does not show all details.

96501152 CRI 10-4 A-CA-A-V-HQQV 50 Hz



Note! All units are in [mm] unless others are stated.