


Qty.	Description
1	<p data-bbox="199 338 504 367">CRI 10-5 A-CA-A-V-HQQV</p>  <p data-bbox="199 660 469 689">Product No.: 96500943</p> <p data-bbox="199 719 1449 797">Vertical, multistage centrifugal pump with inlet and outlet ports on same the level (inline). Pump materials in contact with the liquid are in stainless steel. A cartridge shaft seal ensures high reliability, safe handling, and easy access and service. Power transmission is via a rigid split coupling. Pipe connection is via FlexiClamps.</p> <p data-bbox="199 835 936 864">The pump is fitted with a 1-phase, fan-cooled asynchronous motor.</p> <p data-bbox="199 866 936 896">The pump is fitted with a 1-phase, fan-cooled asynchronous motor.</p> <p data-bbox="199 925 316 954">Controls:</p> <p data-bbox="199 956 638 985">Frequency converter: NONE</p> <p data-bbox="199 1014 288 1043">Liquid:</p> <p data-bbox="199 1046 638 1075">Pumped liquid: Water</p> <p data-bbox="199 1077 694 1106">Liquid temperature range: -20 .. 90 °C</p> <p data-bbox="199 1108 630 1137">Selected liquid temperature: 20 °C</p> <p data-bbox="199 1140 778 1169">Density at selected liquid temperature: 998.2 kg/m³</p> <p data-bbox="199 1198 327 1227">Technical:</p> <p data-bbox="199 1229 821 1258">Pump speed on which pump data are based: 2730 rpm</p> <p data-bbox="199 1261 651 1290">Rated flow: 10 m³/h</p> <p data-bbox="199 1292 643 1321">Rated head: 36.8 m</p> <p data-bbox="199 1323 651 1352">Pump orientation: Vertical</p> <p data-bbox="199 1355 638 1384">Shaft seal arrangement: Single</p> <p data-bbox="199 1386 638 1415">Code for shaft seal: HQQV</p> <p data-bbox="199 1417 667 1447">Approvals on nameplate: CE, EAC</p> <p data-bbox="199 1449 762 1478">Curve tolerance: ISO9906:2012 3B</p> <p data-bbox="199 1507 320 1536">Materials:</p> <p data-bbox="199 1538 727 1568">Base: Stainless steel</p> <p data-bbox="564 1570 686 1599">EN 1.4408</p> <p data-bbox="564 1601 663 1630">AISI 316</p> <p data-bbox="199 1632 727 1662">Impeller: Stainless steel</p> <p data-bbox="564 1664 683 1693">EN 1.4301</p> <p data-bbox="564 1695 663 1724">AISI 304</p> <p data-bbox="199 1727 608 1756">Bearing: SIC</p> <p data-bbox="199 1785 343 1814">Installation:</p> <p data-bbox="199 1816 630 1845">Maximum ambient temperature: 40 °C</p> <p data-bbox="199 1848 638 1877">Maximum operating pressure: 16 bar</p> <p data-bbox="199 1879 730 1908">Max pressure at stated temp: 16 bar / 90 °C</p> <p data-bbox="564 1910 735 1939">16 bar / -20 °C</p> <p data-bbox="199 1942 692 1971">Type of connection: FlexiClamp</p> <p data-bbox="199 1973 638 2002">Size of inlet connection: DN 50</p> <p data-bbox="199 2004 638 2033">Size of outlet connection: DN 50</p> <p data-bbox="199 2036 686 2065">Pressure rating for pipe connection: PN 25</p> <p data-bbox="199 2067 638 2096">Flange size for motor: FT115</p>

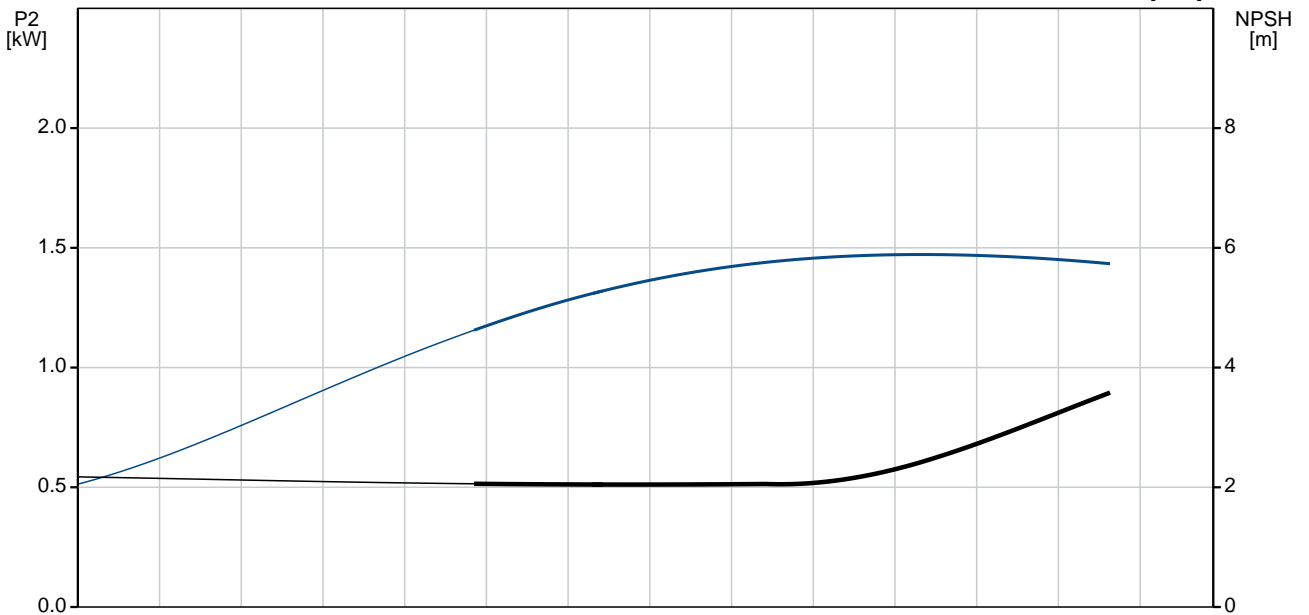
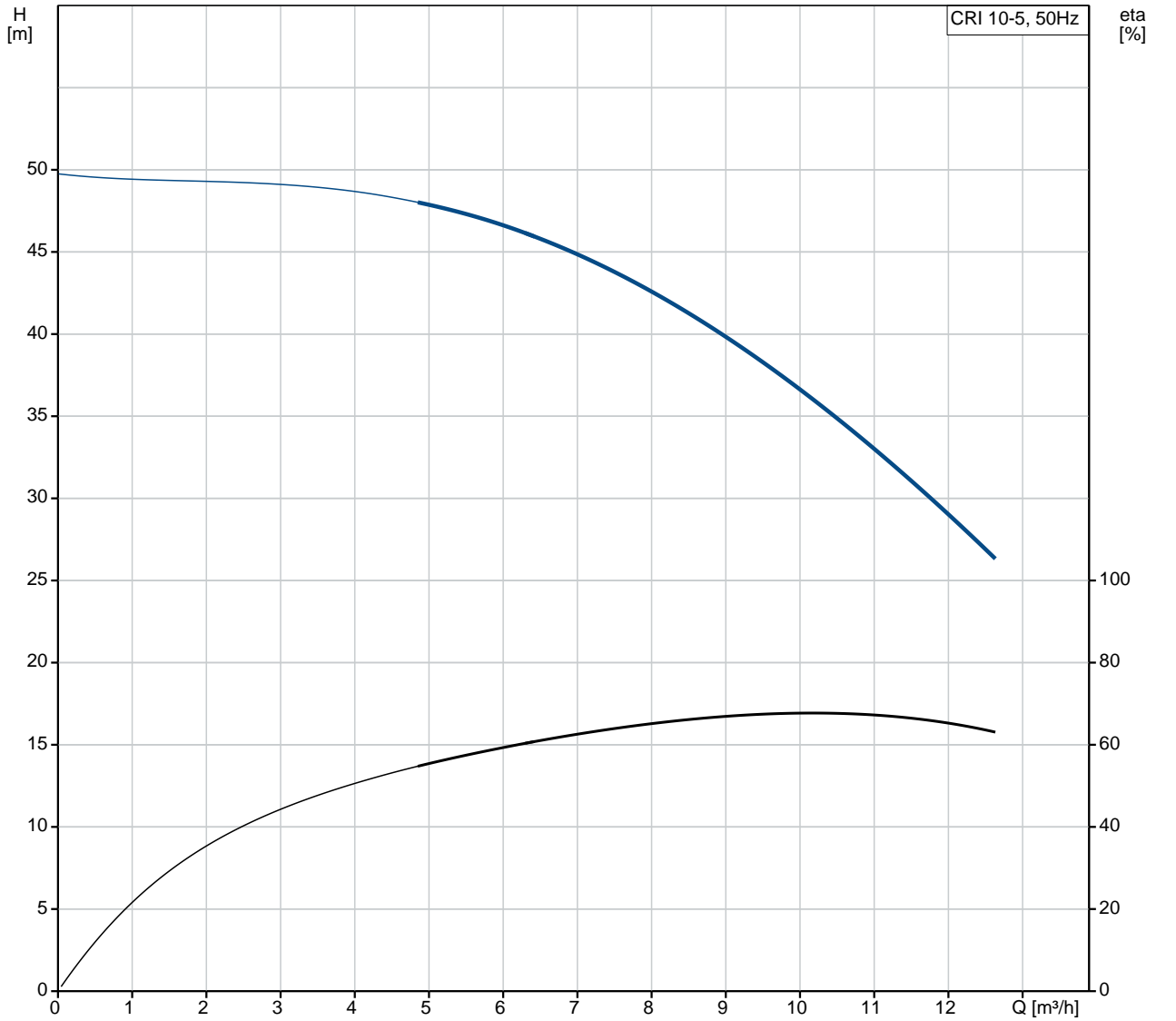
Qty. Description**Electrical data:**

Motor standard: IEC
Motor type: 90LC
Rated power - P2: 2.2 kW
Power (P2) required by pump: 2.2 kW
Mains frequency: 50 Hz
Rated voltage: 1 x 220-230/240 V
Rated current: 14,0-13,6/12,6 A
Starting current: 330 %
Cos phi - power factor: 1.00
Rated speed: 2730/2720 rpm
Motor efficiency at full load: 75 %
Number of poles: 2
Enclosure class (IEC 34-5): 55 Dust/Jetting
Insulation class (IEC 85): F
Motor No: 85215708

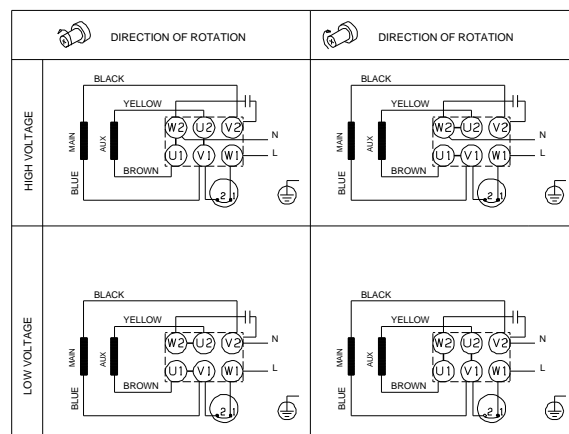
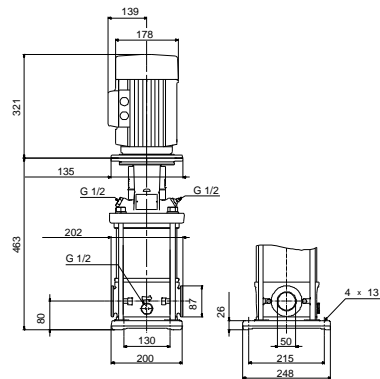
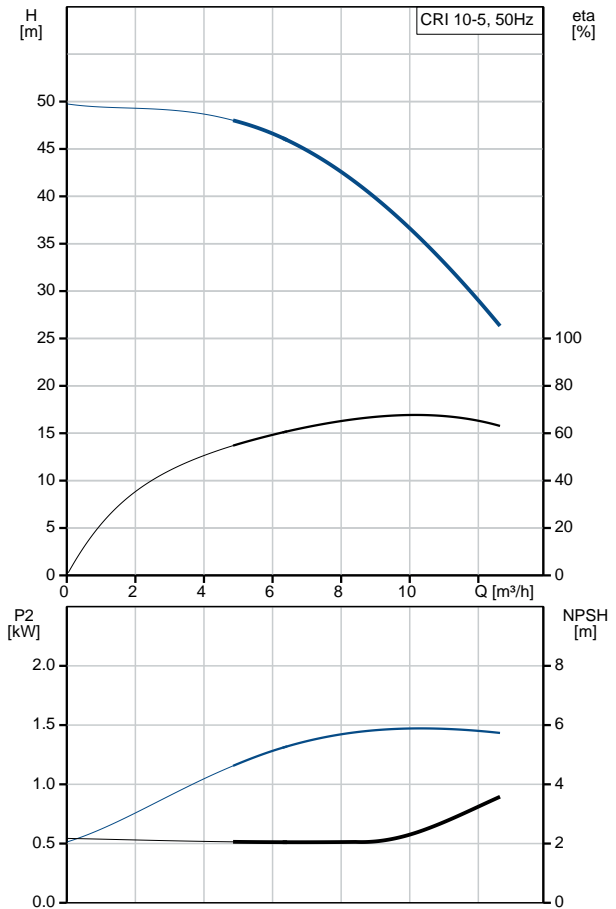
Others:

Minimum efficiency index, MEI : 0.70
Net weight: 51 kg
Gross weight: 55 kg
Shipping volume: 0.104 m³
Country of origin: GB
Custom tariff no.: 84137075

96500943 CRI 10-5 A-CA-A-V-HQQV 50 Hz



Description	Value
General information:	
Product name:	CRI 10-5 A-CA-A-V-HQQV
Product No:	96500943
EAN number:	5700396212210 5700396212210
Price:	1.718,00 GBP
Technical:	
Pump speed on which pump data are based:	2730 rpm
Rated flow:	10 m ³ /h
Rated head:	36.8 m
Head max:	50 m
Stages:	5
Impellers:	5
Number of reduced-diameter impellers:	0
Low NPSH:	N
Pump orientation:	Vertical
Shaft seal arrangement:	Single
Code for shaft seal:	HQQV
Approvals on nameplate:	CE, EAC
Curve tolerance:	ISO9906:2012 3B
Pump version:	A
Model:	A
Materials:	
Base:	Stainless steel EN 1.4408 AISI 316
Impeller:	Stainless steel EN 1.4301 AISI 304
Material code:	A
Code for rubber:	V
Bearing:	SIC
Installation:	
Maximum ambient temperature:	40 °C
Maximum operating pressure:	16 bar
Max pressure at stated temp:	16 bar / 90 °C 16 bar / -20 °C
Type of connection:	FlexiClamp
Size of inlet connection:	DN 50
Size of outlet connection:	DN 50
Pressure rating for pipe connection:	PN 25
Flange size for motor:	FT115
Connect code:	CA
Liquid:	
Pumped liquid:	Water
Liquid temperature range:	-20 .. 90 °C
Selected liquid temperature:	20 °C
Density at selected liquid temperature:	998.2 kg/m ³
Electrical data:	
Motor standard:	IEC
Motor type:	90LC
Rated power - P2:	2.2 kW
Power (P2) required by pump:	2.2 kW
Mains frequency:	50 Hz
Rated voltage:	1 x 220-230/240 V
Rated current:	14,0-13,6/12,6 A
Starting current:	330 %





Company name:

Created by:

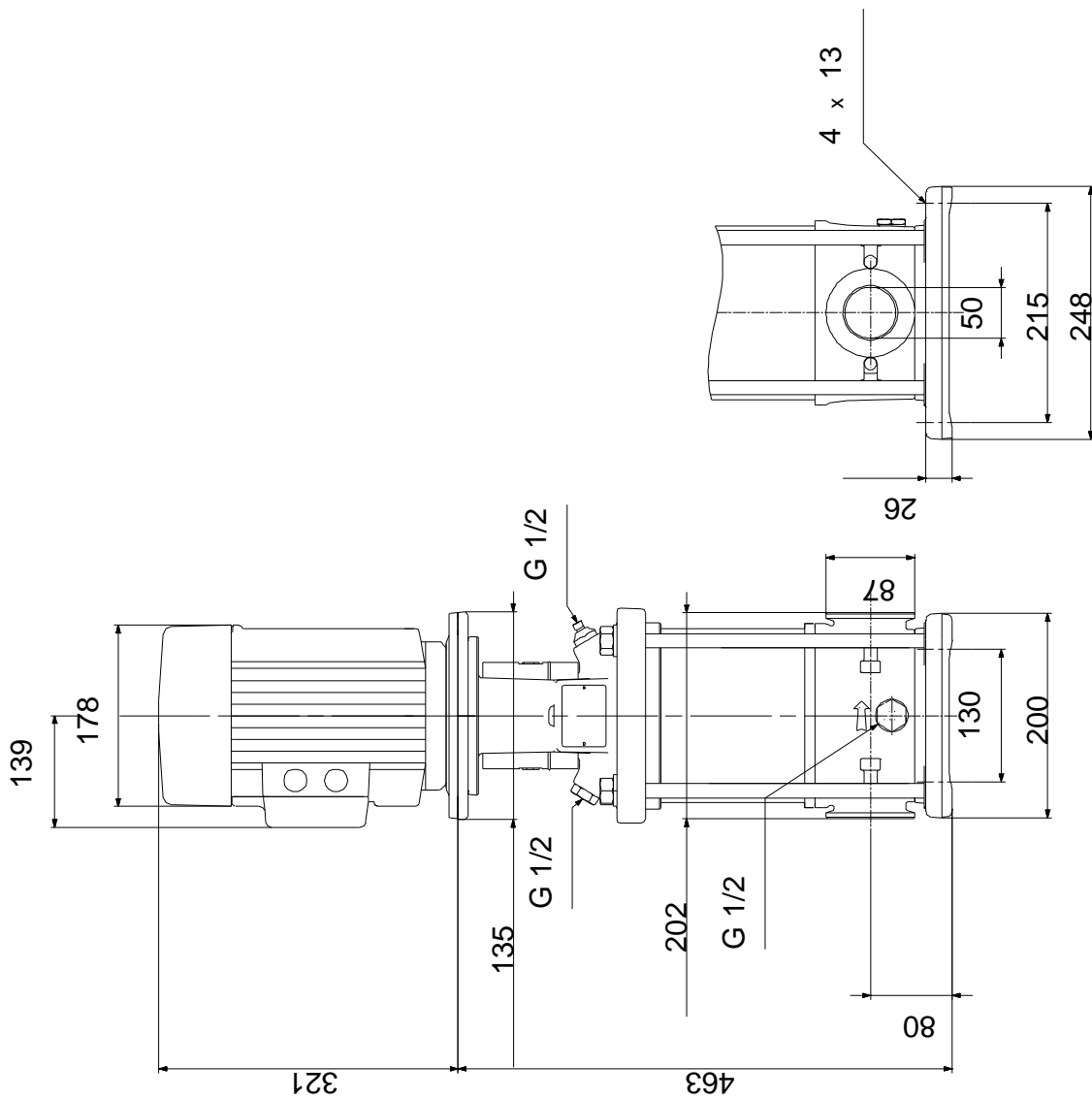
Phone:

Date:

25/09/2019

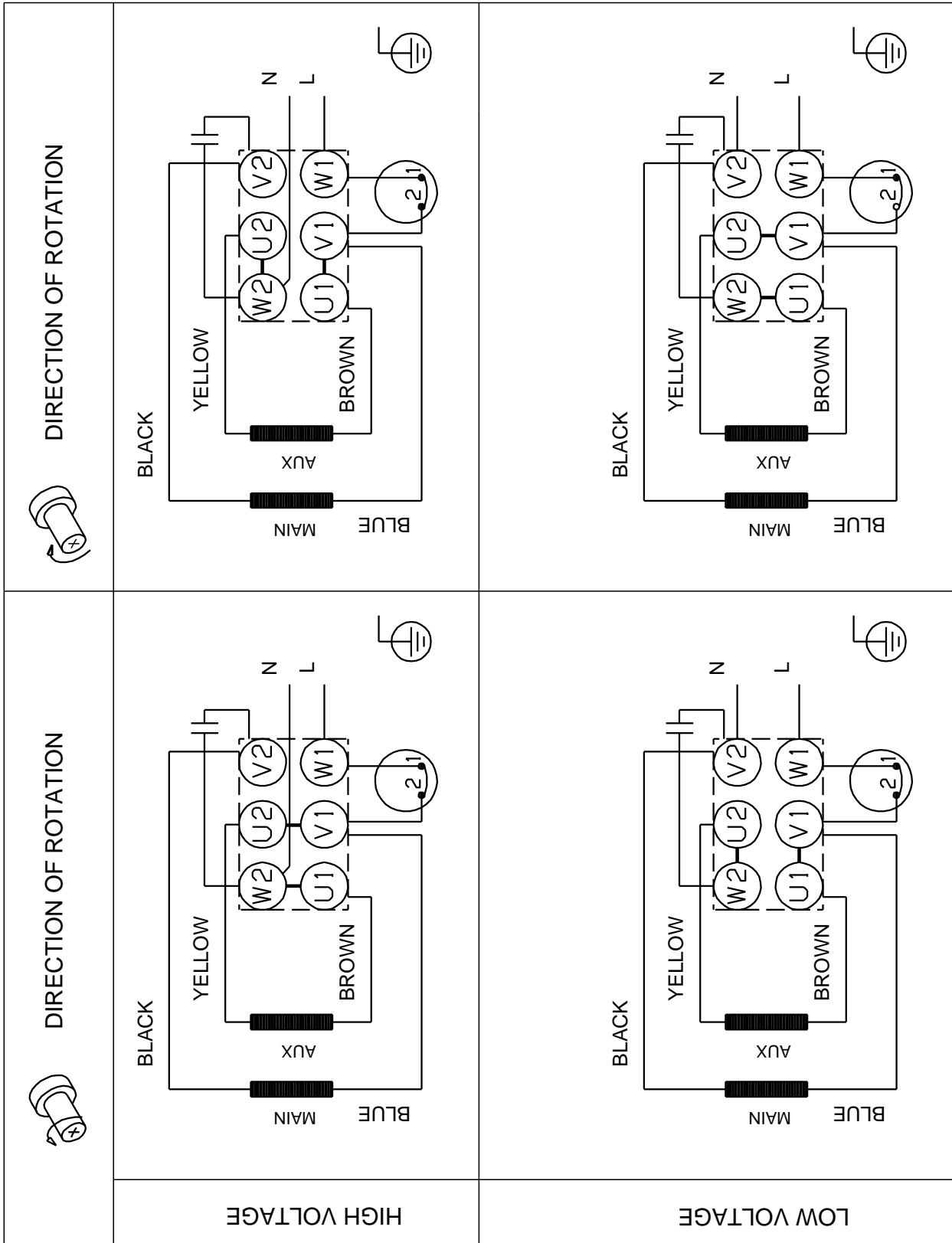
Description	Value
Cos phi - power factor:	1.00
Rated speed:	2730/2720 rpm
Motor efficiency at full load:	75 %
Number of poles:	2
Enclosure class (IEC 34-5):	55 Dust/Jetting
Insulation class (IEC 85):	F
Motor protec:	PTO
Motor No:	85215708
Controls:	
Frequency converter:	NONE
Others:	
Minimum efficiency index, MEI :	0.70
Net weight:	51 kg
Gross weight:	55 kg
Shipping volume:	0.104 m ³
Country of origin:	GB
Custom tariff no.:	84137075

96500943 CRI 10-5 A-CA-A-V-HQQV 50 Hz



Note! All units are in [mm] unless others are stated.
Disclaimer: This simplified dimensional drawing does not show all details.

96500943 CRI 10-5 A-CA-A-V-HQQV 50 Hz



Note! All units are in [mm] unless others are stated.