

Qty.	Description
------	-------------

1	CRI 10-6 A-CA-A-V-HQQV
---	------------------------



**Note! Product picture may differ from actual product**

Product No.: [96500944](#)

Vertical, multistage centrifugal pump with inlet and outlet ports on same the level (inline). Pump materials in contact with the liquid are in stainless steel. A cartridge shaft seal ensures high reliability, safe handling, and easy access and service. Power transmission is via a rigid split coupling. Pipe connection is via FlexiClamps.

The pump is fitted with a 1-phase, fan-cooled asynchronous motor.  
The pump is fitted with a 1-phase, fan-cooled asynchronous motor.

**Controls:**

Frequency converter: NONE

**Liquid:**

Pumped liquid: Water  
Liquid temperature range: -20 .. 90 °C  
Selected liquid temperature: 20 °C  
Density at selected liquid temperature: 998.2 kg/m<sup>3</sup>

**Technical:**

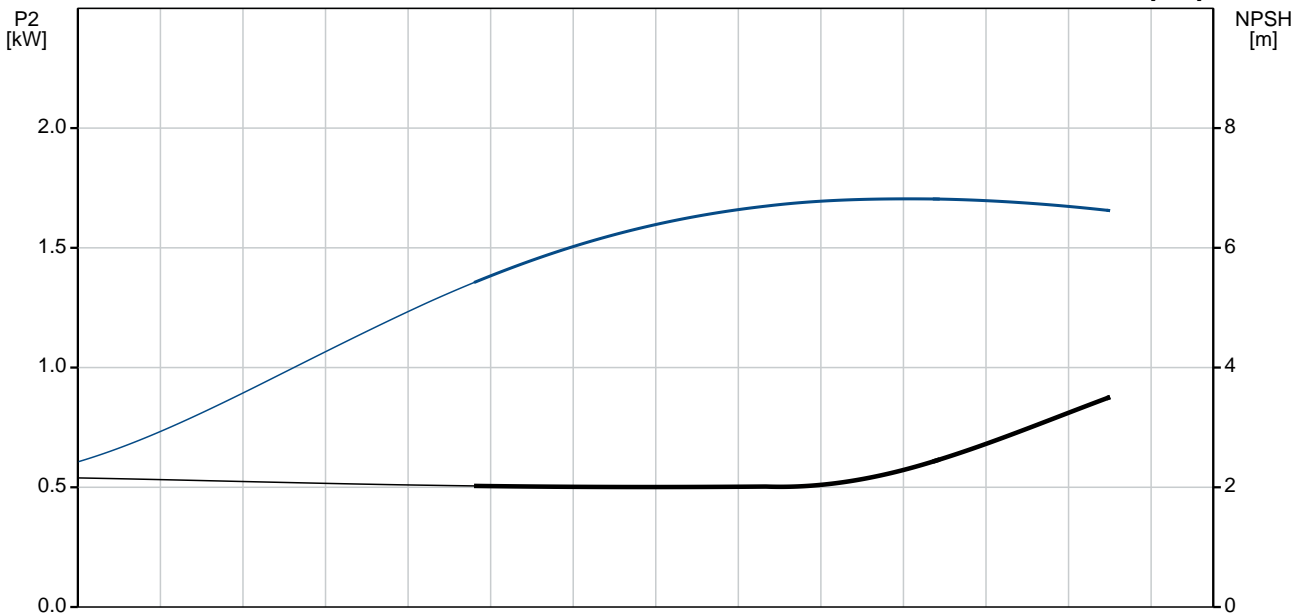
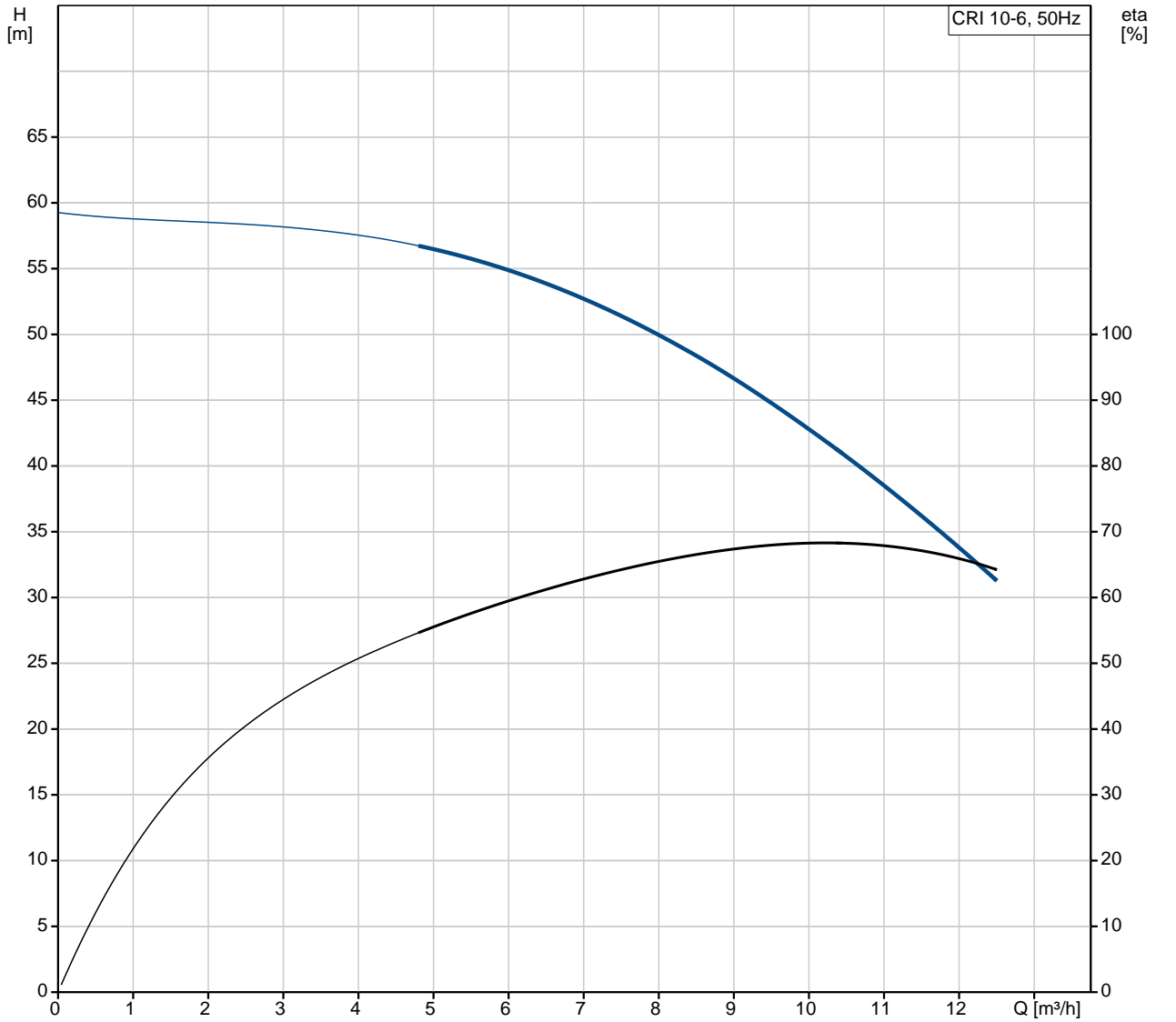
Pump speed on which pump data are based: 2730 rpm  
Rated flow: 10 m<sup>3</sup>/h  
Rated head: 42.9 m  
Pump orientation: Vertical  
Shaft seal arrangement: Single  
Code for shaft seal: HQQV  
Approvals on nameplate: CE, EAC  
Curve tolerance: ISO9906:2012 3B

**Materials:**

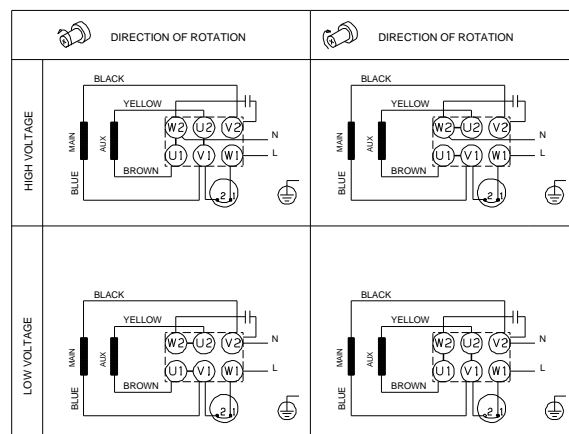
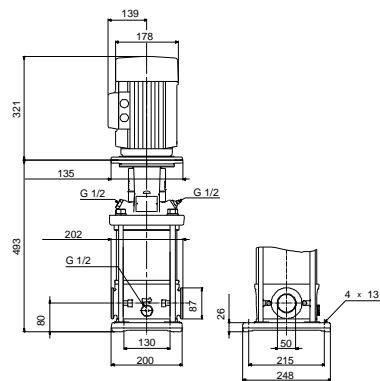
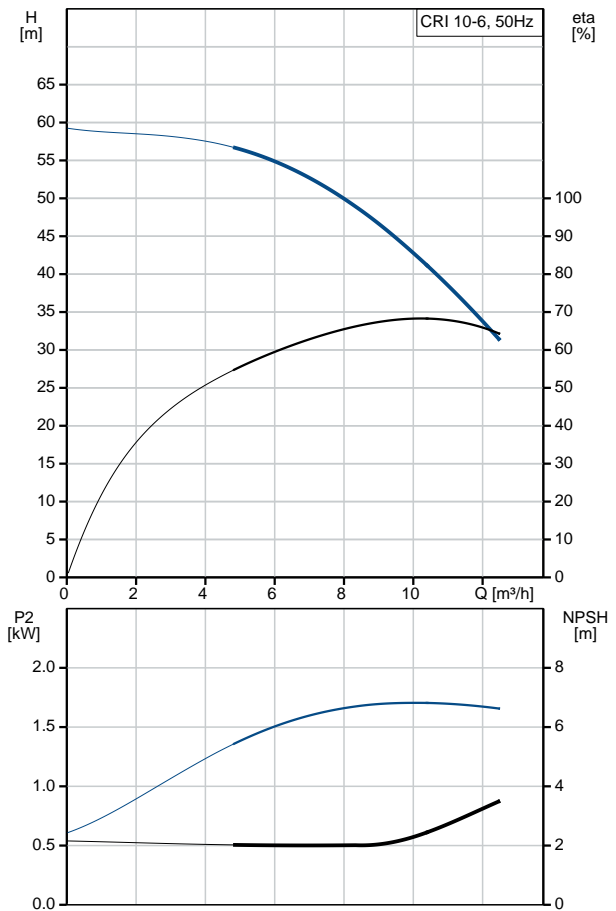
Base: Stainless steel  
EN 1.4408  
AISI 316  
Impeller: Stainless steel  
EN 1.4301  
AISI 304  
Bearing: SIC

Qty.	Description
	<p><b>Installation:</b>  Maximum ambient temperature: 40 °C  Maximum operating pressure: 16 bar  Max pressure at stated temp: 16 bar / 90 °C  16 bar / -20 °C  Type of connection: FlexiClamp  Size of inlet connection: DN 50  Size of outlet connection: DN 50  Pressure rating for pipe connection: PN 25  Flange size for motor: FT115</p> <p><b>Electrical data:</b>  Motor standard: IEC  Motor type: 90LC  Rated power - P2: 2.2 kW  Power (P2) required by pump: 2.2 kW  Mains frequency: 50 Hz  Rated voltage: 1 x 220-230/240 V  Rated current: 14,0-13,6/12,6 A  Starting current: 330 %  Cos phi - power factor: 1.00  Rated speed: 2730/2720 rpm  Motor efficiency at full load: 75 %  Number of poles: 2  Enclosure class (IEC 34-5): 55 Dust/Jetting  Insulation class (IEC 85): F  Motor No: 85215708</p> <p><b>Others:</b>  Minimum efficiency index, MEI : 0.70  Net weight: 52 kg  Gross weight: 56 kg  Shipping volume: 0.104 m<sup>3</sup>  Country of origin: GB  Custom tariff no.: 84137075</p>

## 96500944 CRI 10-6 A-CA-A-V-HQQV 50 Hz



Description	Value
<b>General information:</b>	
Product name:	CRI 10-6 A-CA-A-V-HQQV
Product No:	96500944
EAN number:	5700396212234 5700396212234
Price:	1.795,00 GBP
<b>Technical:</b>	
Pump speed on which pump data are based:	2730 rpm
Rated flow:	10 m <sup>3</sup> /h
Rated head:	42.9 m
Head max:	59.5 m
Stages:	6
Impellers:	6
Number of reduced-diameter impellers:	0
Low NPSH:	N
Pump orientation:	Vertical
Shaft seal arrangement:	Single
Code for shaft seal:	HQQV
Approvals on nameplate:	CE, EAC
Curve tolerance:	ISO9906:2012 3B
Pump version:	A
Model:	A
<b>Materials:</b>	
Base:	Stainless steel EN 1.4408 AISI 316
Impeller:	Stainless steel EN 1.4301 AISI 304
Material code:	A
Code for rubber:	V
Bearing:	SIC
<b>Installation:</b>	
Maximum ambient temperature:	40 °C
Maximum operating pressure:	16 bar
Max pressure at stated temp:	16 bar / 90 °C 16 bar / -20 °C
Type of connection:	FlexiClamp
Size of inlet connection:	DN 50
Size of outlet connection:	DN 50
Pressure rating for pipe connection:	PN 25
Flange size for motor:	FT115
Connect code:	CA
<b>Liquid:</b>	
Pumped liquid:	Water
Liquid temperature range:	-20 .. 90 °C
Selected liquid temperature:	20 °C
Density at selected liquid temperature:	998.2 kg/m <sup>3</sup>
<b>Electrical data:</b>	
Motor standard:	IEC
Motor type:	90LC
Rated power - P2:	2.2 kW
Power (P2) required by pump:	2.2 kW
Mains frequency:	50 Hz
Rated voltage:	1 x 220-230/240 V
Rated current:	14,0-13,6/12,6 A
Starting current:	330 %





Company name:

Created by:

Phone:

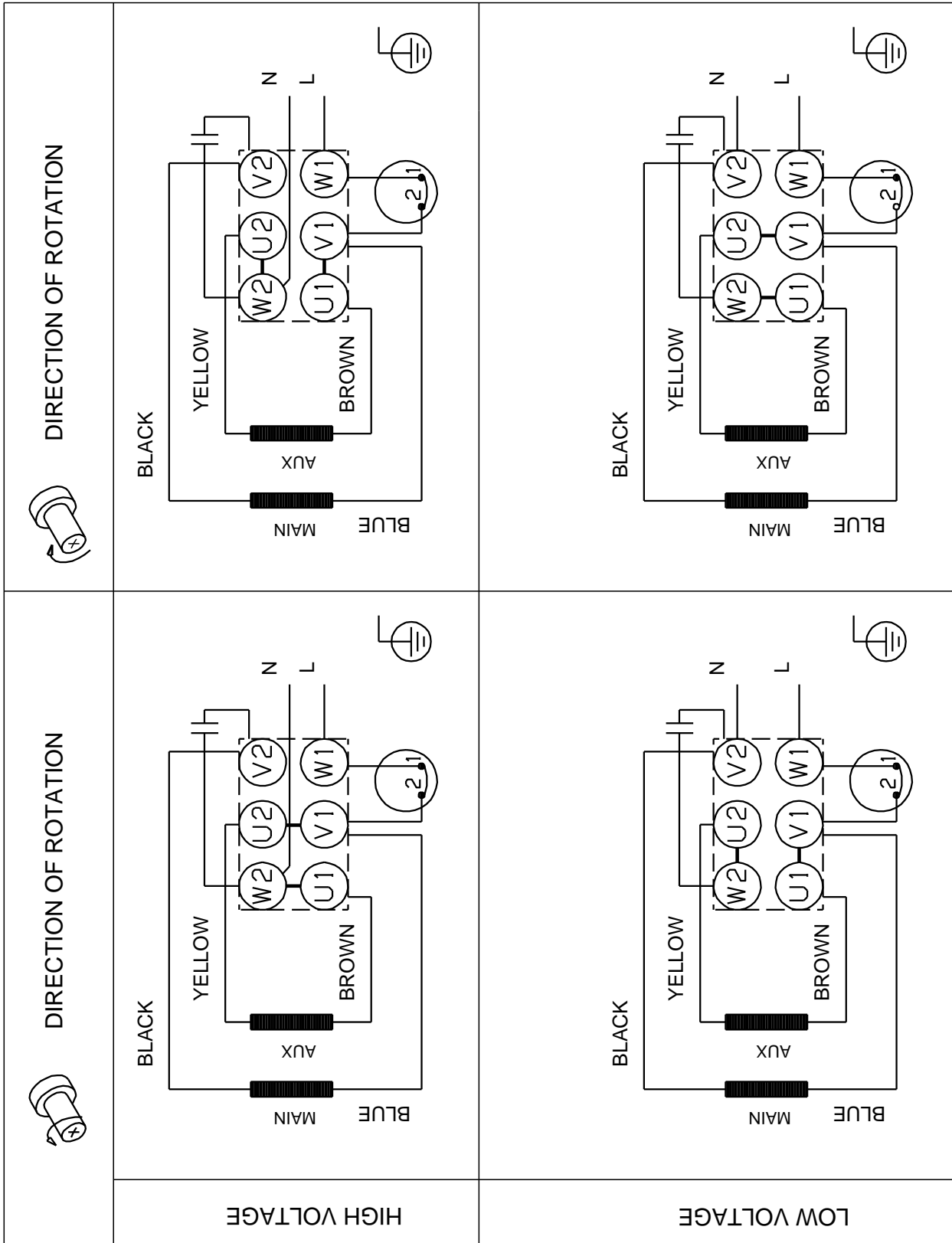
Date:

25/09/2019

Description	Value
Cos phi - power factor:	1.00
Rated speed:	2730/2720 rpm
Motor efficiency at full load:	75 %
Number of poles:	2
Enclosure class (IEC 34-5):	55 Dust/Jetting
Insulation class (IEC 85):	F
Motor protec:	PTO
Motor No:	85215708
<b>Controls:</b>	
Frequency converter:	NONE
<b>Others:</b>	
Minimum efficiency index, MEI :	0.70
Net weight:	52 kg
Gross weight:	56 kg
Shipping volume:	0.104 m <sup>3</sup>
Country of origin:	GB
Custom tariff no.:	84137075



## 96500944 CRI 10-6 A-CA-A-V-HQQV 50 Hz



Note! All units are in [mm] unless others are stated.