
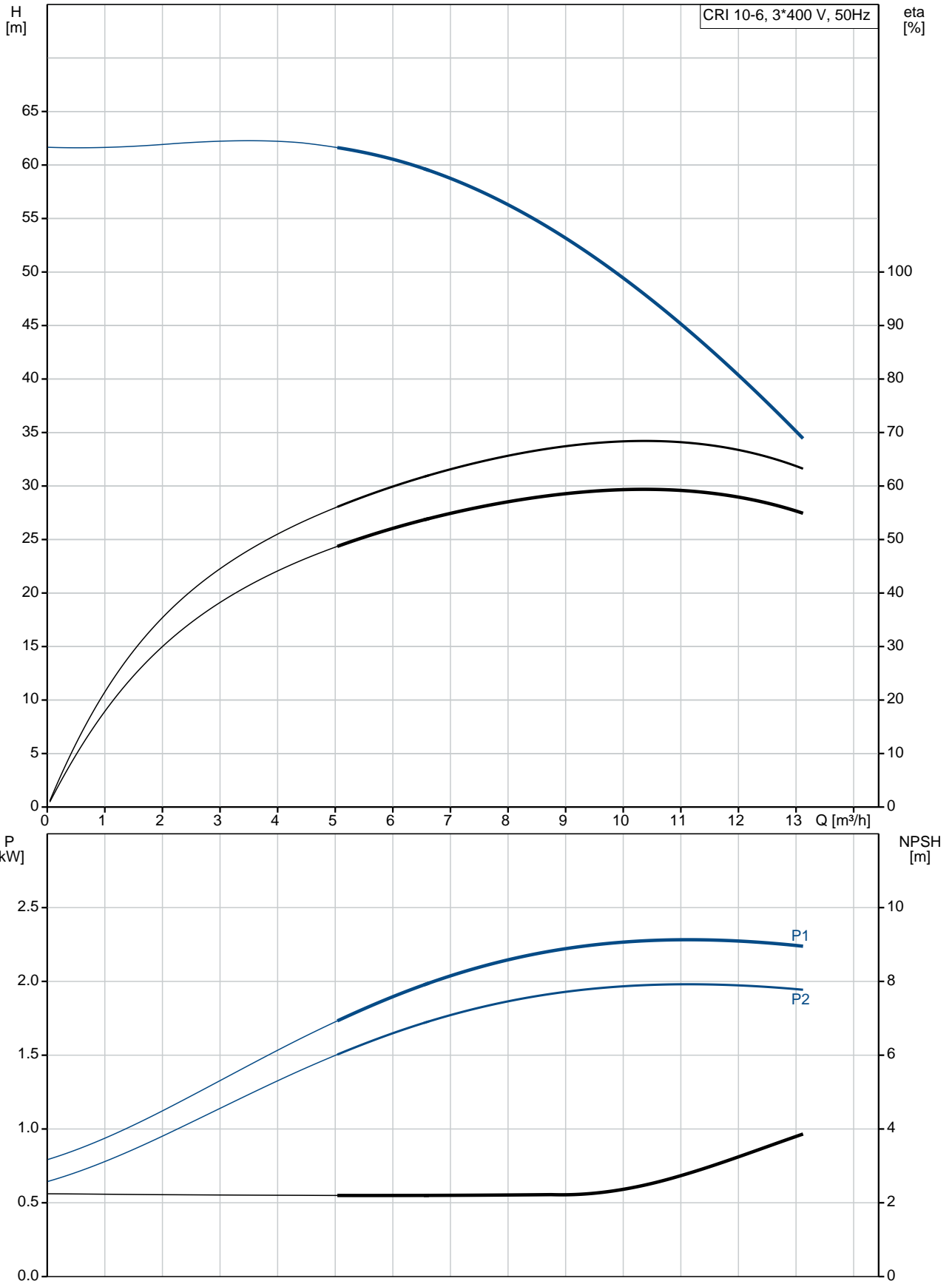


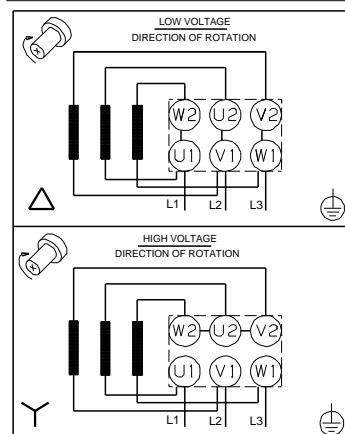
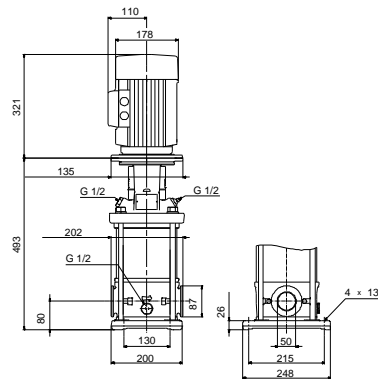
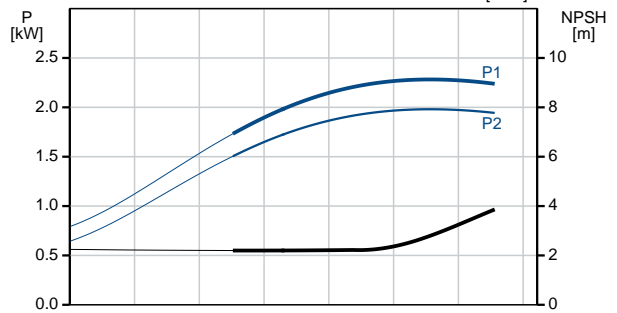
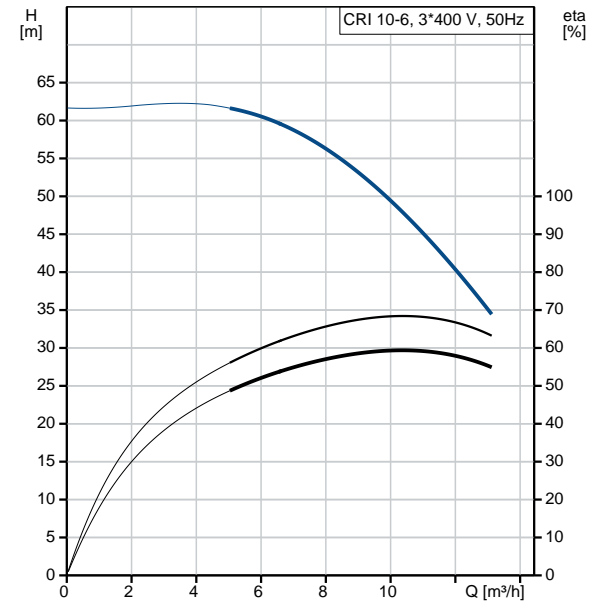
Qty.	Description
1	<p data-bbox="204 342 504 365">CRI 10-6 A-CA-A-V-HQQV</p>  <p data-bbox="204 663 469 685">Product No.: 96501154</p> <p data-bbox="204 723 1445 797">Vertical, multistage centrifugal pump with inlet and outlet ports on same the level (inline). Pump materials in contact with the liquid are in stainless steel. A cartridge shaft seal ensures high reliability, safe handling, and easy access and service. Power transmission is via a rigid split coupling. Pipe connection is via FlexiClamps.</p> <p data-bbox="204 837 935 860">The pump is fitted with a 3-phase, fan-cooled asynchronous motor.</p> <p data-bbox="204 866 935 889">The pump is fitted with a 3-phase, fan-cooled asynchronous motor.</p> <p data-bbox="204 927 312 949">Controls:</p> <p data-bbox="204 956 638 978">Frequency converter: NONE</p> <p data-bbox="204 1016 287 1039">Liquid:</p> <p data-bbox="204 1046 635 1068">Pumped liquid: Water</p> <p data-bbox="204 1075 692 1097">Liquid temperature range: -20 .. 90 °C</p> <p data-bbox="204 1104 632 1126">Selected liquid temperature: 20 °C</p> <p data-bbox="204 1133 778 1155">Density at selected liquid temperature: 998.2 kg/m³</p> <p data-bbox="204 1193 325 1216">Technical:</p> <p data-bbox="204 1223 820 1245">Pump speed on which pump data are based: 2899 rpm</p> <p data-bbox="204 1252 651 1274">Rated flow: 10 m³/h</p> <p data-bbox="204 1281 644 1303">Rated head: 48.3 m</p> <p data-bbox="204 1310 651 1332">Pump orientation: Vertical</p> <p data-bbox="204 1339 635 1361">Shaft seal arrangement: Single</p> <p data-bbox="204 1368 641 1391">Code for shaft seal: HQQV</p> <p data-bbox="204 1397 667 1420">Approvals on nameplate: CE, EAC</p> <p data-bbox="204 1426 762 1449">Curve tolerance: ISO9906:2012 3B</p> <p data-bbox="204 1487 319 1509">Materials:</p> <p data-bbox="204 1516 727 1576">Base: Stainless steel EN 1.4408 AISI 316</p> <p data-bbox="204 1610 727 1671">Impeller: Stainless steel EN 1.4301 AISI 304</p> <p data-bbox="204 1700 609 1722">Bearing: SIC</p> <p data-bbox="204 1760 341 1783">Installation:</p> <p data-bbox="204 1789 632 1812">Maximum ambient temperature: 60 °C</p> <p data-bbox="204 1818 638 1841">Maximum operating pressure: 16 bar</p> <p data-bbox="204 1848 734 1908">Max pressure at stated temp: 16 bar / 90 °C 16 bar / -20 °C</p> <p data-bbox="204 1906 692 1928">Type of connection: FlexiClamp</p> <p data-bbox="204 1935 638 1957">Size of inlet connection: DN 50</p> <p data-bbox="204 1964 638 1986">Size of outlet connection: DN 50</p> <p data-bbox="204 1993 686 2016">Pressure rating for pipe connection: PN 25</p> <p data-bbox="204 2022 638 2045">Flange size for motor: FT115</p>

Qty.	Description
	<p>Electrical data:</p> <p>Motor standard: IEC</p> <p>Motor type: 90LC</p> <p>IE Efficiency class: IE3</p> <p>Rated power - P2: 2.2 kW</p> <p>Power (P2) required by pump: 2.2 kW</p> <p>Mains frequency: 50 Hz</p> <p>Rated voltage: 3 x 220-240D/380-415Y V</p> <p>Rated current: 7.70/4.45 A</p> <p>Starting current: 850-950 %</p> <p>Cos phi - power factor: 0.89-0.87</p> <p>Rated speed: 2890-2910 rpm</p> <p>Efficiency: IE3 85,9%</p> <p>Motor efficiency at full load: 85.9 %</p> <p>Motor efficiency at 3/4 load: 86.8 %</p> <p>Motor efficiency at 1/2 load: 86.0 %</p> <p>Number of poles: 2</p> <p>Enclosure class (IEC 34-5): 55 Dust/Jetting</p> <p>Insulation class (IEC 85): F</p> <p>Motor No: 85U05908</p> <p>Others:</p> <p>Minimum efficiency index, MEI : 0.70</p> <p>Net weight: 50 kg</p> <p>Gross weight: 54 kg</p> <p>Shipping volume: 0.104 m³</p> <p>Country of origin: GB</p> <p>Custom tariff no.: 84137075</p>

96501154 CRI 10-6 A-CA-A-V-HQQV 50 Hz



Description	Value
General information:	
Product name:	CRI 10-6 A-CA-A-V-HQQV
Product No:	96501154
EAN number:	5700396216430 5700396216430
Price:	1.580,00 GBP
Technical:	
Pump speed on which pump data are based:	2899 rpm
Rated flow:	10 m ³ /h
Rated head:	48.3 m
Head max:	61.2 m
Stages:	6
Impellers:	6
Number of reduced-diameter impellers:	0
Low NPSH:	N
Pump orientation:	Vertical
Shaft seal arrangement:	Single
Code for shaft seal:	HQQV
Approvals on nameplate:	CE, EAC
Curve tolerance:	ISO9906:2012 3B
Pump version:	A
Model:	A
Materials:	
Base:	Stainless steel EN 1.4408 AISI 316
Impeller:	Stainless steel EN 1.4301 AISI 304
Material code:	A
Code for rubber:	V
Bearing:	SIC
Installation:	
Maximum ambient temperature:	60 °C
Maximum operating pressure:	16 bar
Max pressure at stated temp:	16 bar / 90 °C 16 bar / -20 °C
Type of connection:	FlexiClamp
Size of inlet connection:	DN 50
Size of outlet connection:	DN 50
Pressure rating for pipe connection:	PN 25
Flange size for motor:	FT115
Connect code:	CA
Liquid:	
Pumped liquid:	Water
Liquid temperature range:	-20 .. 90 °C
Selected liquid temperature:	20 °C
Density at selected liquid temperature:	998.2 kg/m ³
Electrical data:	
Motor standard:	IEC
Motor type:	90LC
IE Efficiency class:	IE3
Rated power - P2:	2.2 kW
Power (P2) required by pump:	2.2 kW
Mains frequency:	50 Hz
Rated voltage:	3 x 220-240D/380-415Y V





Company name:

Created by:

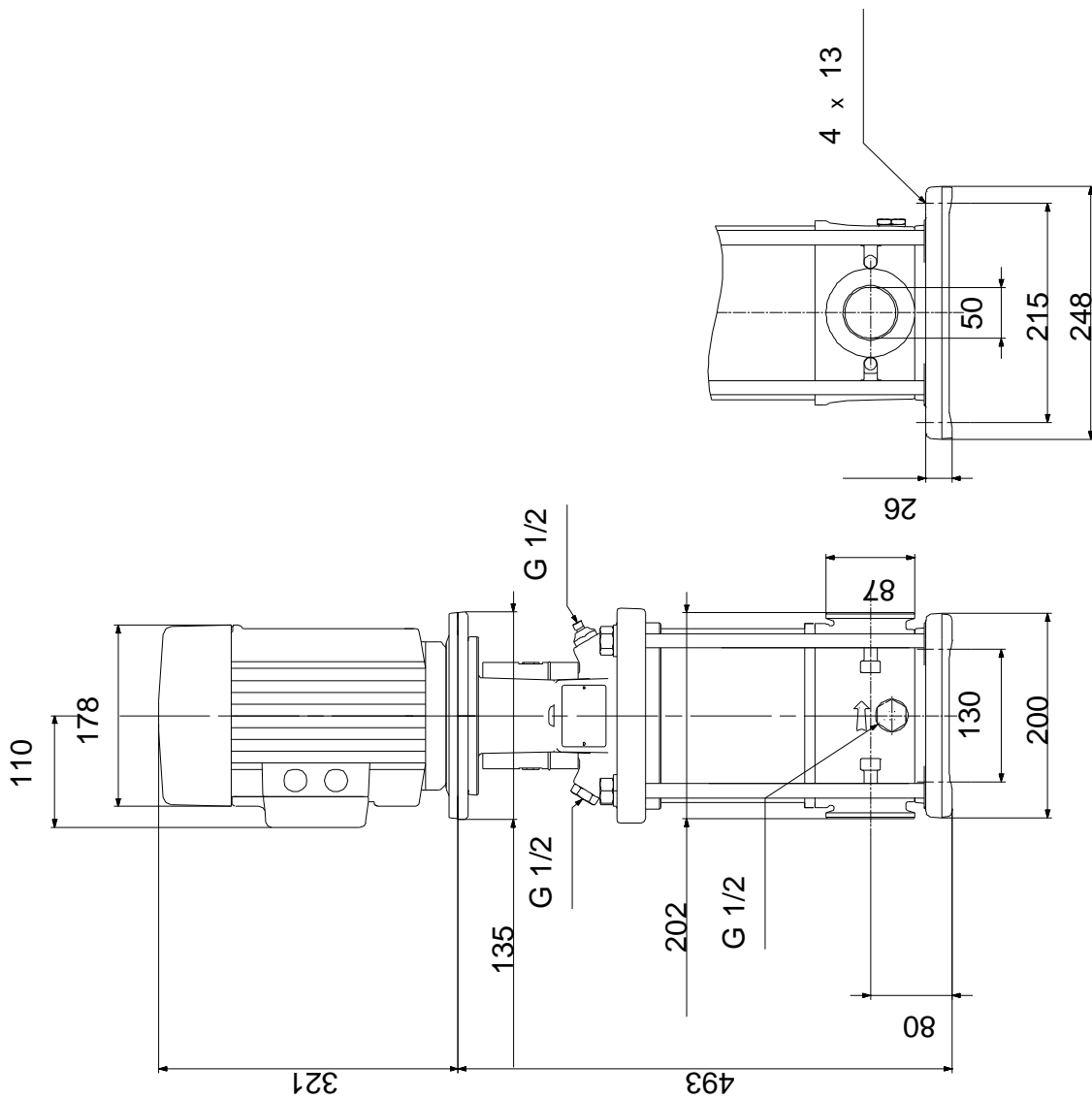
Phone:

Date:

25/09/2019

Description	Value
Rated current:	7.70/4.45 A
Starting current:	850-950 %
Cos phi - power factor:	0.89-0.87
Rated speed:	2890-2910 rpm
Efficiency:	IE3 85,9%
Motor efficiency at full load:	85.9 %
Motor efficiency at 3/4 load:	86.8 %
Motor efficiency at 1/2 load:	86.0 %
Number of poles:	2
Enclosure class (IEC 34-5):	55 Dust/Jetting
Insulation class (IEC 85):	F
Motor protec:	NONE
Motor No:	85U05908
Controls:	
Frequency converter:	NONE
Others:	
Minimum efficiency index, MEI :	0.70
Net weight:	50 kg
Gross weight:	54 kg
Shipping volume:	0.104 m ³
Country of origin:	GB
Custom tariff no.:	84137075

96501154 CRI 10-6 A-CA-A-V-HQQV 50 Hz



Note! All units are in [mm] unless others are stated.
Disclaimer: This simplified dimensional drawing does not show all details.

96501154 CRI 10-6 A-CA-A-V-HQQV 50 Hz



Note! All units are in [mm] unless others are stated.