
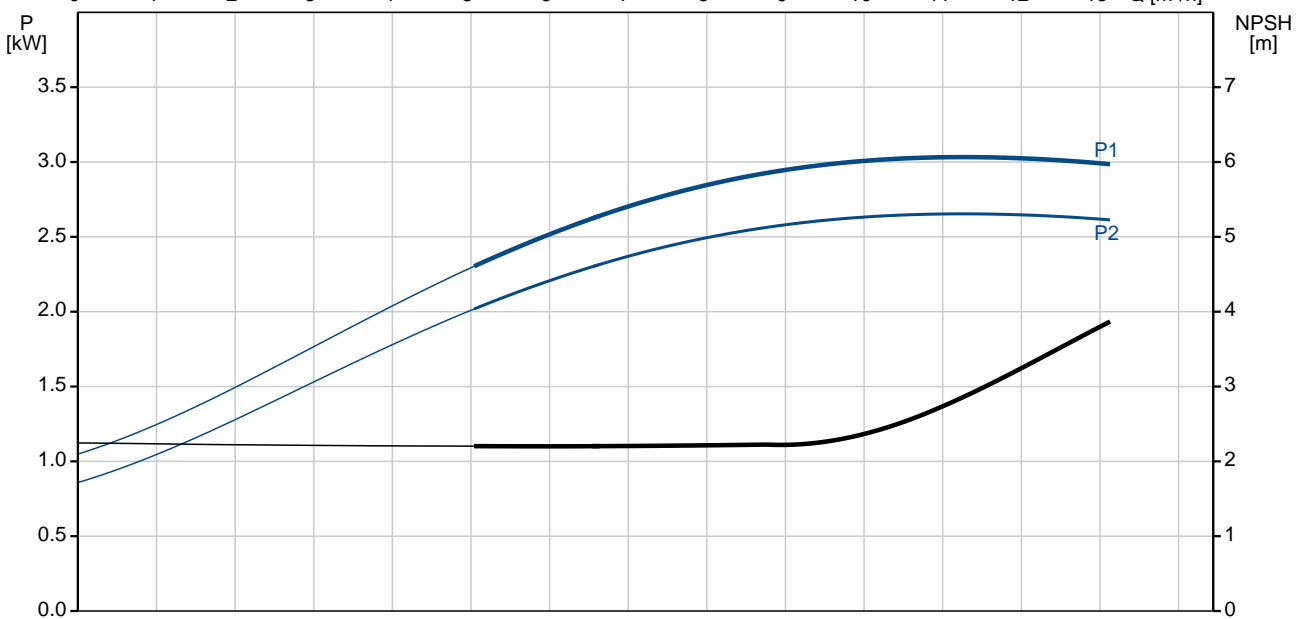
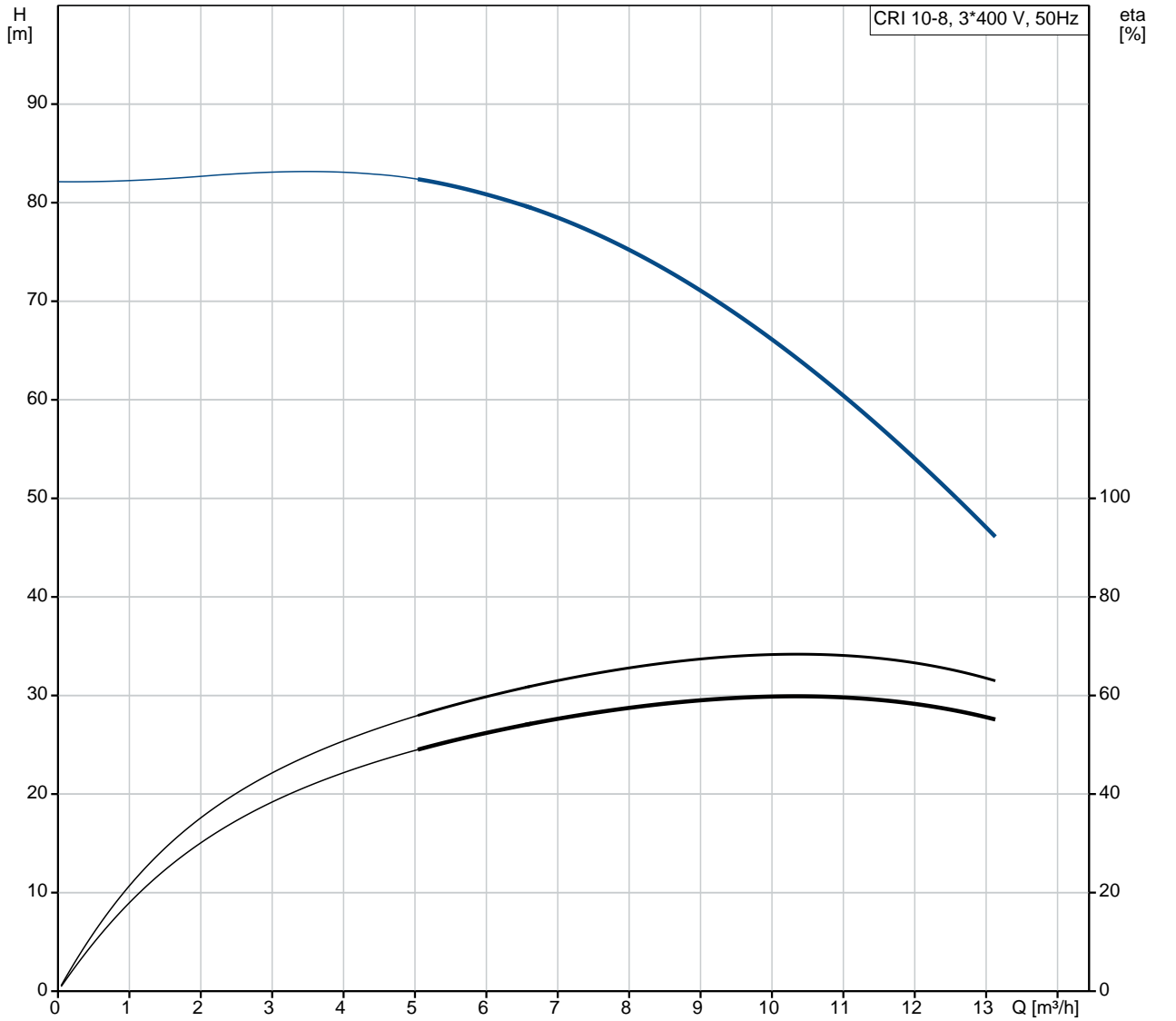


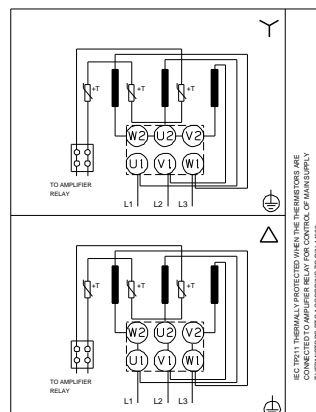
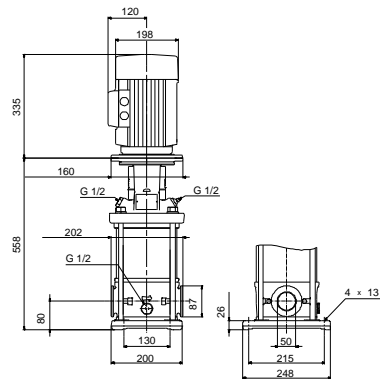
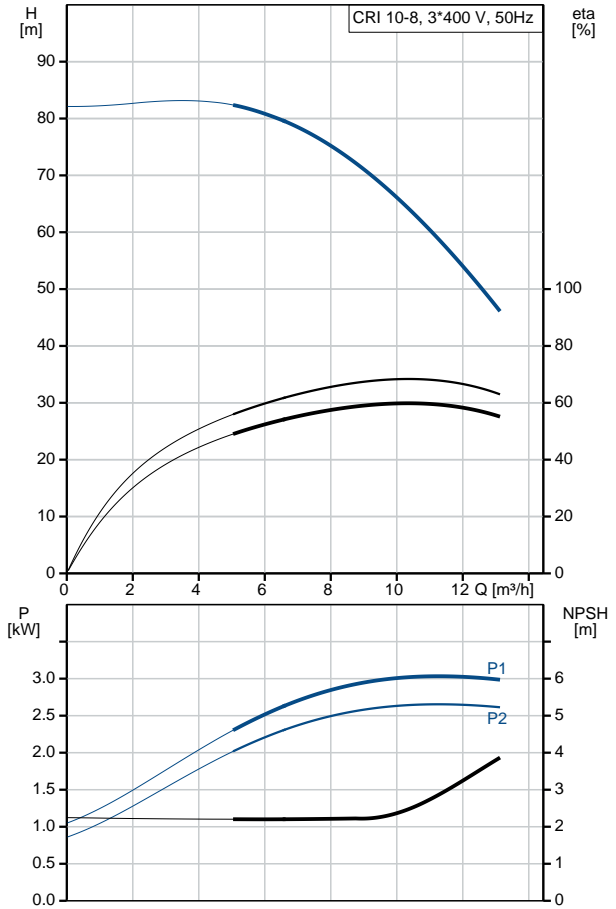
| Qty. | Description  |
|------|--|
| 1    | <p data-bbox="199 338 504 367"><b>CRI 10-8 A-CA-A-V-HQQV</b></p>  <p data-bbox="199 660 469 687">Product No.: <a href="#">96501156</a></p> <p data-bbox="199 719 1449 797">Vertical, multistage centrifugal pump with inlet and outlet ports on same the level (inline). Pump materials in contact with the liquid are in stainless steel. A cartridge shaft seal ensures high reliability, safe handling, and easy access and service. Power transmission is via a rigid split coupling. Pipe connection is via FlexiClamps.</p> <p data-bbox="199 835 936 862">The pump is fitted with a 3-phase, fan-cooled asynchronous motor.</p> <p data-bbox="199 864 936 891">The pump is fitted with a 3-phase, fan-cooled asynchronous motor.</p> <p data-bbox="199 925 316 952"><b>Controls:</b></p> <p data-bbox="199 954 638 981">Frequency converter: NONE</p> <p data-bbox="199 1014 288 1041"><b>Liquid:</b></p> <p data-bbox="199 1043 635 1070">Pumped liquid: Water</p> <p data-bbox="199 1072 692 1099">Liquid temperature range: -20 .. 90 °C</p> <p data-bbox="199 1102 632 1128">Selected liquid temperature: 20 °C</p> <p data-bbox="199 1131 778 1158">Density at selected liquid temperature: 998.2 kg/m<sup>3</sup></p> <p data-bbox="199 1191 328 1218"><b>Technical:</b></p> <p data-bbox="199 1220 821 1247">Pump speed on which pump data are based: 2902 rpm</p> <p data-bbox="199 1249 651 1276">Rated flow: 10 m<sup>3</sup>/h</p> <p data-bbox="199 1279 644 1305">Rated head: 64.8 m</p> <p data-bbox="199 1308 651 1335">Pump orientation: Vertical</p> <p data-bbox="199 1337 635 1364">Shaft seal arrangement: Single</p> <p data-bbox="199 1366 639 1393">Code for shaft seal: HQQV</p> <p data-bbox="199 1395 667 1422">Approvals on nameplate: CE, EAC</p> <p data-bbox="199 1424 764 1451">Curve tolerance: ISO9906:2012 3B</p> <p data-bbox="199 1485 320 1512"><b>Materials:</b></p> <p data-bbox="199 1514 727 1576">Base: Stainless steel<br/>EN 1.4408<br/>AISI 316</p> <p data-bbox="199 1610 727 1673">Impeller: Stainless steel<br/>EN 1.4301<br/>AISI 304</p> <p data-bbox="199 1697 608 1724">Bearing: SIC</p> <p data-bbox="199 1758 344 1785"><b>Installation:</b></p> <p data-bbox="199 1787 632 1814">Maximum ambient temperature: 60 °C</p> <p data-bbox="199 1816 639 1843">Maximum operating pressure: 16 bar</p> <p data-bbox="199 1845 735 1908">Max pressure at stated temp: 16 bar / 90 °C<br/>16 bar / -20 °C</p> <p data-bbox="199 1906 692 1933">Type of connection: FlexiClamp</p> <p data-bbox="199 1935 639 1962">Size of inlet connection: DN 50</p> <p data-bbox="199 1964 639 1991">Size of outlet connection: DN 50</p> <p data-bbox="199 1993 686 2020">Pressure rating for pipe connection: PN 25</p> <p data-bbox="199 2022 639 2049">Flange size for motor: FT130</p> |

| Qty. | Description   |
|------|---|
|      | <p><b>Electrical data:</b></p> <p>Motor standard: IEC</p> <p>Motor type: 100LC</p> <p>IE Efficiency class: IE3</p> <p>Rated power - P2: 3 kW</p> <p>Power (P2) required by pump: 3 kW</p> <p>Mains frequency: 50 Hz</p> <p>Rated voltage: 3 x 220-240D/380-415Y V</p> <p>Rated current: 11.0/6.30 A</p> <p>Starting current: 840-920 %</p> <p>Cos phi - power factor: 0.87-0.82</p> <p>Rated speed: 2900-2920 rpm</p> <p>Efficiency: IE3 87,1%</p> <p>Motor efficiency at full load: 87.1 %</p> <p>Motor efficiency at 3/4 load: 88.0 %</p> <p>Motor efficiency at 1/2 load: 87.7 %</p> <p>Number of poles: 2</p> <p>Enclosure class (IEC 34-5): 55 Dust/Jetting</p> <p>Insulation class (IEC 85): F</p> <p>Motor No: 85U05510</p> <p><b>Others:</b></p> <p>Minimum efficiency index, MEI : 0.70</p> <p>Net weight: 56 kg</p> <p>Gross weight: 60 kg</p> <p>Shipping volume: 0.13 m<sup>3</sup></p> <p>Country of origin: GB</p> <p>Custom tariff no.: 84137075</p> |

## 96501156 CRI 10-8 A-CA-A-V-HQQV 50 Hz



| Description                              | Value                                    |
|--|--|
| <b>General information:</b>              |  |
| Product name:                            | CRI 10-8<br>A-CA-A-V-HQQV                |
| Product No:                              | 96501156                                 |
| EAN number:                              | 5700396216478<br>5700396216478           |
| Price:                                   | 1.782,00 GBP                             |
| <b>Technical:</b>                        |  |
| Pump speed on which pump data are based: | 2902 rpm                                 |
| Rated flow:                              | 10 m <sup>3</sup> /h                     |
| Rated head:                              | 64.8 m                                   |
| Head max:                                | 81.7 m                                   |
| Stages:                                  | 8  |
| Impellers:                               | 8  |
| Number of reduced-diameter impellers:    | 0  |
| Low NPSH:                                | N  |
| Pump orientation:                        | Vertical                                 |
| Shaft seal arrangement:                  | Single                                   |
| Code for shaft seal:                     | HQQV                                     |
| Approvals on nameplate:                  | CE, EAC                                  |
| Curve tolerance:                         | ISO9906:2012 3B                          |
| Pump version:                            | A  |
| Model:                                   | A  |
| <b>Materials:</b>                        |  |
| Base:                                    | Stainless steel<br>EN 1.4408<br>AISI 316 |
| Impeller:                                | Stainless steel<br>EN 1.4301<br>AISI 304 |
| Material code:                           | A  |
| Code for rubber:                         | V  |
| Bearing:                                 | SIC                                      |
| <b>Installation:</b>                     |  |
| Maximum ambient temperature:             | 60 °C                                    |
| Maximum operating pressure:              | 16 bar                                   |
| Max pressure at stated temp:             | 16 bar / 90 °C<br>16 bar / -20 °C        |
| Type of connection:                      | FlexiClamp                               |
| Size of inlet connection:                | DN 50                                    |
| Size of outlet connection:               | DN 50                                    |
| Pressure rating for pipe connection:     | PN 25                                    |
| Flange size for motor:                   | FT130                                    |
| Connect code:                            | CA                                       |
| <b>Liquid:</b>                           |  |
| Pumped liquid:                           | Water                                    |
| Liquid temperature range:                | -20 .. 90 °C                             |
| Selected liquid temperature:             | 20 °C                                    |
| Density at selected liquid temperature:  | 998.2 kg/m <sup>3</sup>                  |
| <b>Electrical data:</b>                  |  |
| Motor standard:                          | IEC                                      |
| Motor type:                              | 100LC                                    |
| IE Efficiency class:                     | IE3                                      |
| Rated power - P2:                        | 3 kW                                     |
| Power (P2) required by pump:             | 3 kW                                     |
| Mains frequency:                         | 50 Hz                                    |
| Rated voltage:                           | 3 x 220-240D/380-415V<br>V               |





Company name:

Created by:

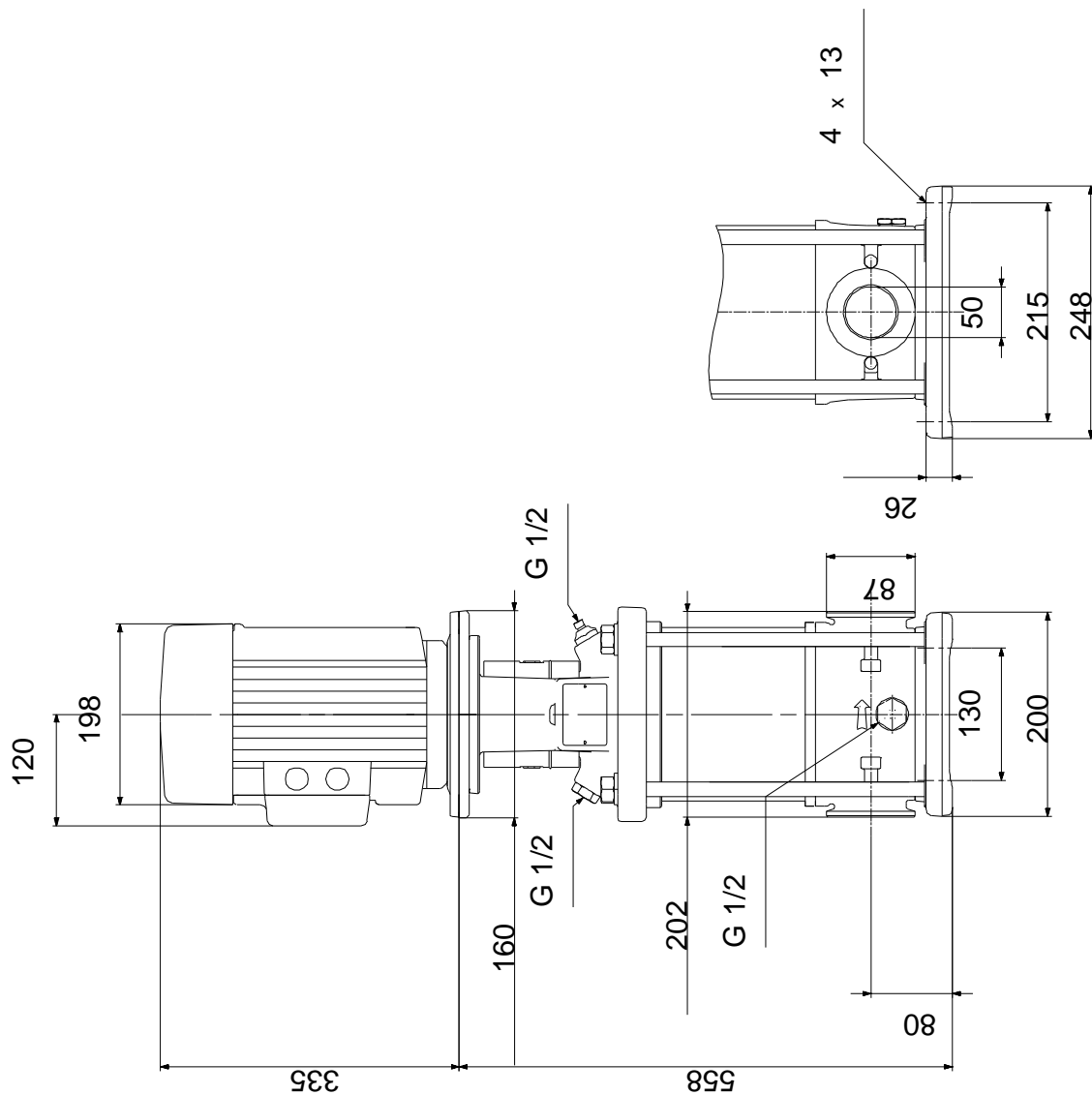
Phone:

Date:

25/09/2019

| Description                     | Value               |
|---------------------------------|---------------------|
| Rated current:                  | 11.0/6.30 A         |
| Starting current:               | 840-920 %           |
| Cos phi - power factor:         | 0.87-0.82           |
| Rated speed:                    | 2900-2920 rpm       |
| Efficiency:                     | IE3 87,1%           |
| Motor efficiency at full load:  | 87.1 %              |
| Motor efficiency at 3/4 load:   | 88.0 %              |
| Motor efficiency at 1/2 load:   | 87.7 %              |
| Number of poles:                | 2                   |
| Enclosure class (IEC 34-5):     | 55 Dust/Jetting     |
| Insulation class (IEC 85):      | F                   |
| Motor protec:                   | PTC                 |
| Motor No:                       | 85U05510            |
| <b>Controls:</b>                |                     |
| Frequency converter:            | NONE                |
| <b>Others:</b>                  |                     |
| Minimum efficiency index, MEI : | 0.70                |
| Net weight:                     | 56 kg               |
| Gross weight:                   | 60 kg               |
| Shipping volume:                | 0.13 m <sup>3</sup> |
| Country of origin:              | GB                  |
| Custom tariff no.:              | 84137075            |

## 96501156 CRI 10-8 A-CA-A-V-HQQV 50 Hz



Note! All units are in [mm] unless others are stated.  
Disclaimer: This simplified dimensional drawing does not show all details.

## 96501156 CRI 10-8 A-CA-A-V-HQQV 50 Hz



IEC TP211 THERMALLY PROTECTED WHEN THE THERMISTORS ARE  
CONNECTED TO AMPLIFIER RELAY FOR CONTROL OF MAIN SUPPLY  
THERMISTORS PTC ACCORDING TO DIN 44082

Note! All units are in [mm] unless others are stated.