
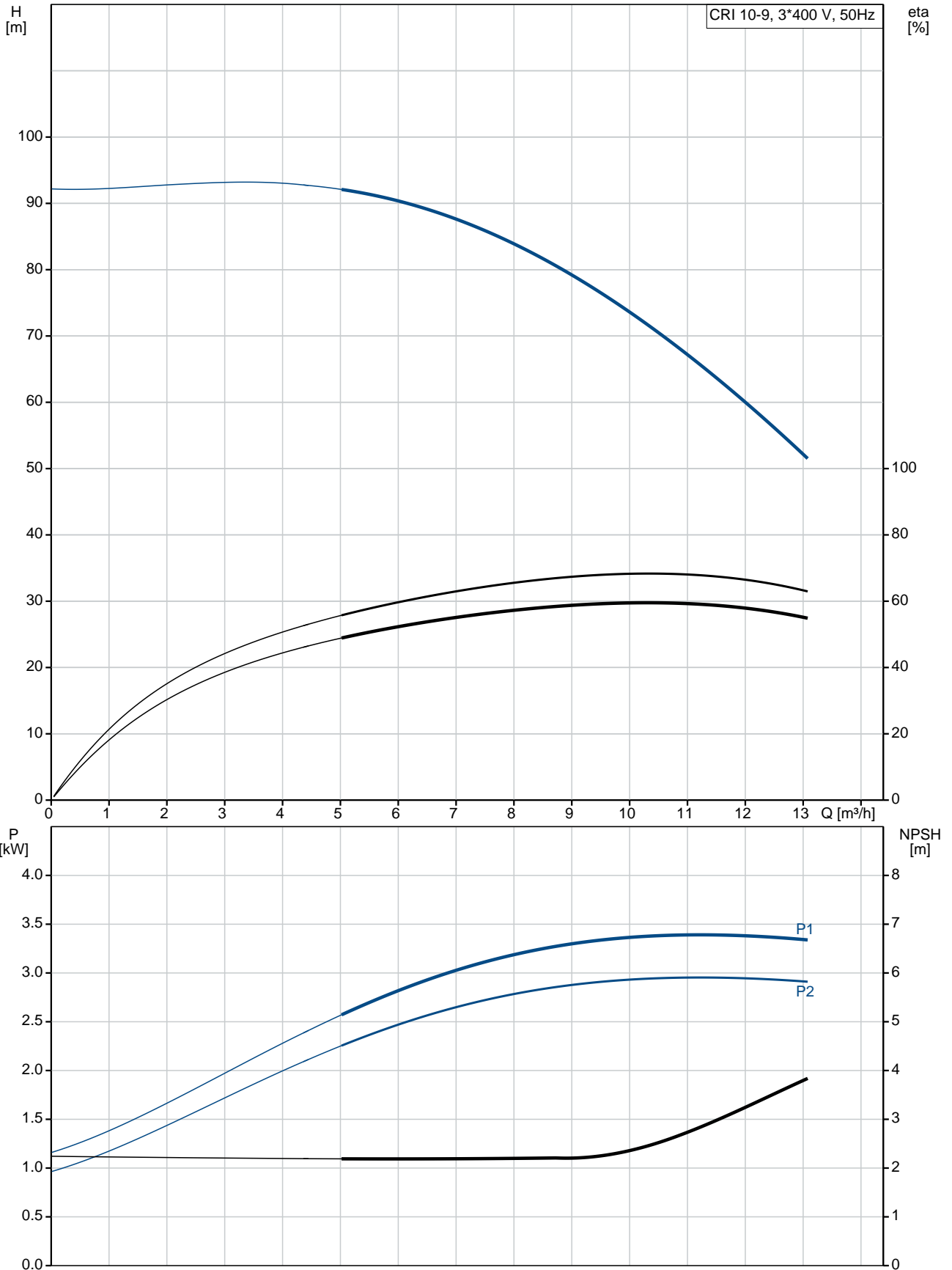


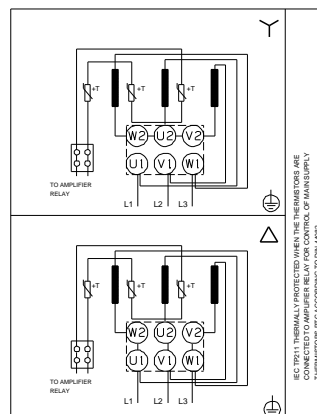
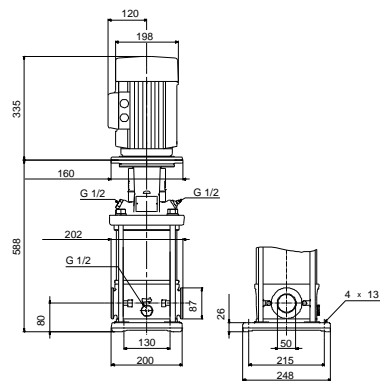
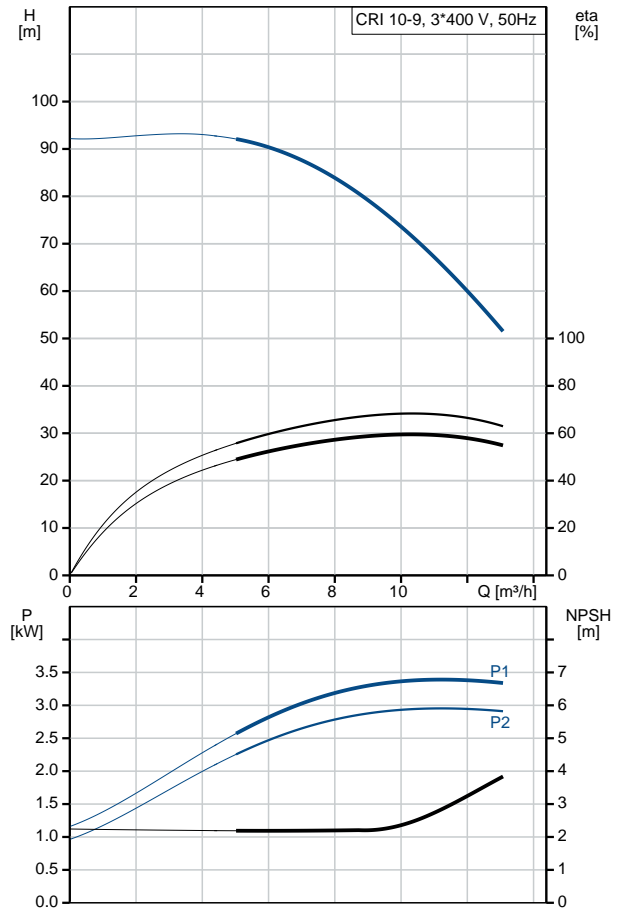
Qty.	Description
1	<p data-bbox="199 338 504 367">CRI 10-9 A-CA-A-V-HQQV</p>  <p data-bbox="199 660 467 689">Product No.: 96501157</p> <p data-bbox="199 719 1449 797">Vertical, multistage centrifugal pump with inlet and outlet ports on same the level (inline). Pump materials in contact with the liquid are in stainless steel. A cartridge shaft seal ensures high reliability, safe handling, and easy access and service. Power transmission is via a rigid split coupling. Pipe connection is via FlexiClamps.</p> <p data-bbox="199 835 936 864">The pump is fitted with a 3-phase, fan-cooled asynchronous motor.</p> <p data-bbox="199 864 936 893">The pump is fitted with a 3-phase, fan-cooled asynchronous motor.</p> <p data-bbox="199 925 316 954">Controls:</p> <p data-bbox="199 954 638 983">Frequency converter: NONE</p> <p data-bbox="199 1014 288 1043">Liquid:</p> <p data-bbox="199 1043 635 1072">Pumped liquid: Water</p> <p data-bbox="199 1072 692 1102">Liquid temperature range: -20 .. 90 °C</p> <p data-bbox="199 1102 632 1131">Selected liquid temperature: 20 °C</p> <p data-bbox="199 1131 778 1160">Density at selected liquid temperature: 998.2 kg/m³</p> <p data-bbox="199 1191 328 1220">Technical:</p> <p data-bbox="199 1220 821 1249">Pump speed on which pump data are based: 2902 rpm</p> <p data-bbox="199 1249 651 1279">Rated flow: 10 m³/h</p> <p data-bbox="199 1279 643 1308">Rated head: 72.3 m</p> <p data-bbox="199 1308 651 1337">Pump orientation: Vertical</p> <p data-bbox="199 1337 635 1366">Shaft seal arrangement: Single</p> <p data-bbox="199 1366 639 1395">Code for shaft seal: HQQV</p> <p data-bbox="199 1395 667 1424">Approvals on nameplate: CE, EAC</p> <p data-bbox="199 1424 764 1453">Curve tolerance: ISO9906:2012 3B</p> <p data-bbox="199 1485 320 1514">Materials:</p> <p data-bbox="199 1514 727 1576">Base: Stainless steel EN 1.4408 AISI 316</p> <p data-bbox="199 1608 727 1671">Impeller: Stainless steel EN 1.4301 AISI 304</p> <p data-bbox="199 1693 608 1722">Bearing: SIC</p> <p data-bbox="199 1753 344 1783">Installation:</p> <p data-bbox="199 1783 632 1812">Maximum ambient temperature: 60 °C</p> <p data-bbox="199 1812 639 1841">Maximum operating pressure: 16 bar</p> <p data-bbox="199 1841 735 1904">Max pressure at stated temp: 16 bar / 90 °C 16 bar / -20 °C</p> <p data-bbox="199 1904 692 1933">Type of connection: FlexiClamp</p> <p data-bbox="199 1933 639 1962">Size of inlet connection: DN 50</p> <p data-bbox="199 1962 639 1991">Size of outlet connection: DN 50</p> <p data-bbox="199 1991 686 2020">Pressure rating for pipe connection: PN 25</p> <p data-bbox="199 2020 639 2049">Flange size for motor: FT130</p>

Qty.	Description
	<p>Electrical data:</p> <p>Motor standard: IEC</p> <p>Motor type: 100LC</p> <p>IE Efficiency class: IE3</p> <p>Rated power - P2: 3 kW</p> <p>Power (P2) required by pump: 3 kW</p> <p>Mains frequency: 50 Hz</p> <p>Rated voltage: 3 x 220-240D/380-415Y V</p> <p>Rated current: 11.0/6.30 A</p> <p>Starting current: 840-920 %</p> <p>Cos phi - power factor: 0.87-0.82</p> <p>Rated speed: 2900-2920 rpm</p> <p>Efficiency: IE3 87,1%</p> <p>Motor efficiency at full load: 87.1 %</p> <p>Motor efficiency at 3/4 load: 88.0 %</p> <p>Motor efficiency at 1/2 load: 87.7 %</p> <p>Number of poles: 2</p> <p>Enclosure class (IEC 34-5): 55 Dust/Jetting</p> <p>Insulation class (IEC 85): F</p> <p>Motor No: 85U05510</p> <p>Others:</p> <p>Minimum efficiency index, MEI : 0.70</p> <p>Net weight: 57 kg</p> <p>Gross weight: 61 kg</p> <p>Shipping volume: 0.13 m³</p> <p>Country of origin: GB</p> <p>Custom tariff no.: 84137075</p>

96501157 CRI 10-9 A-CA-A-V-HQQV 50 Hz



Description	Value
General information:	
Product name:	CRI 10-9 A-CA-A-V-HQQV
Product No:	96501157
EAN number:	5700396216492 5700396216492
Price:	1.857,00 GBP
Technical:	
Pump speed on which pump data are based:	2902 rpm
Rated flow:	10 m ³ /h
Rated head:	72.3 m
Head max:	91.8 m
Stages:	9
Impellers:	9
Number of reduced-diameter impellers:	0
Low NPSH:	N
Pump orientation:	Vertical
Shaft seal arrangement:	Single
Code for shaft seal:	HQQV
Approvals on nameplate:	CE, EAC
Curve tolerance:	ISO9906:2012 3B
Pump version:	A
Model:	A
Materials:	
Base:	Stainless steel EN 1.4408 AISI 316
Impeller:	Stainless steel EN 1.4301 AISI 304
Material code:	A
Code for rubber:	V
Bearing:	SIC
Installation:	
Maximum ambient temperature:	60 °C
Maximum operating pressure:	16 bar
Max pressure at stated temp:	16 bar / 90 °C 16 bar / -20 °C
Type of connection:	FlexiClamp
Size of inlet connection:	DN 50
Size of outlet connection:	DN 50
Pressure rating for pipe connection:	PN 25
Flange size for motor:	FT130
Connect code:	CA
Liquid:	
Pumped liquid:	Water
Liquid temperature range:	-20 .. 90 °C
Selected liquid temperature:	20 °C
Density at selected liquid temperature:	998.2 kg/m ³
Electrical data:	
Motor standard:	IEC
Motor type:	100LC
IE Efficiency class:	IE3
Rated power - P2:	3 kW
Power (P2) required by pump:	3 kW
Mains frequency:	50 Hz
Rated voltage:	3 x 220-240D/380-415V V





Company name:

Created by:

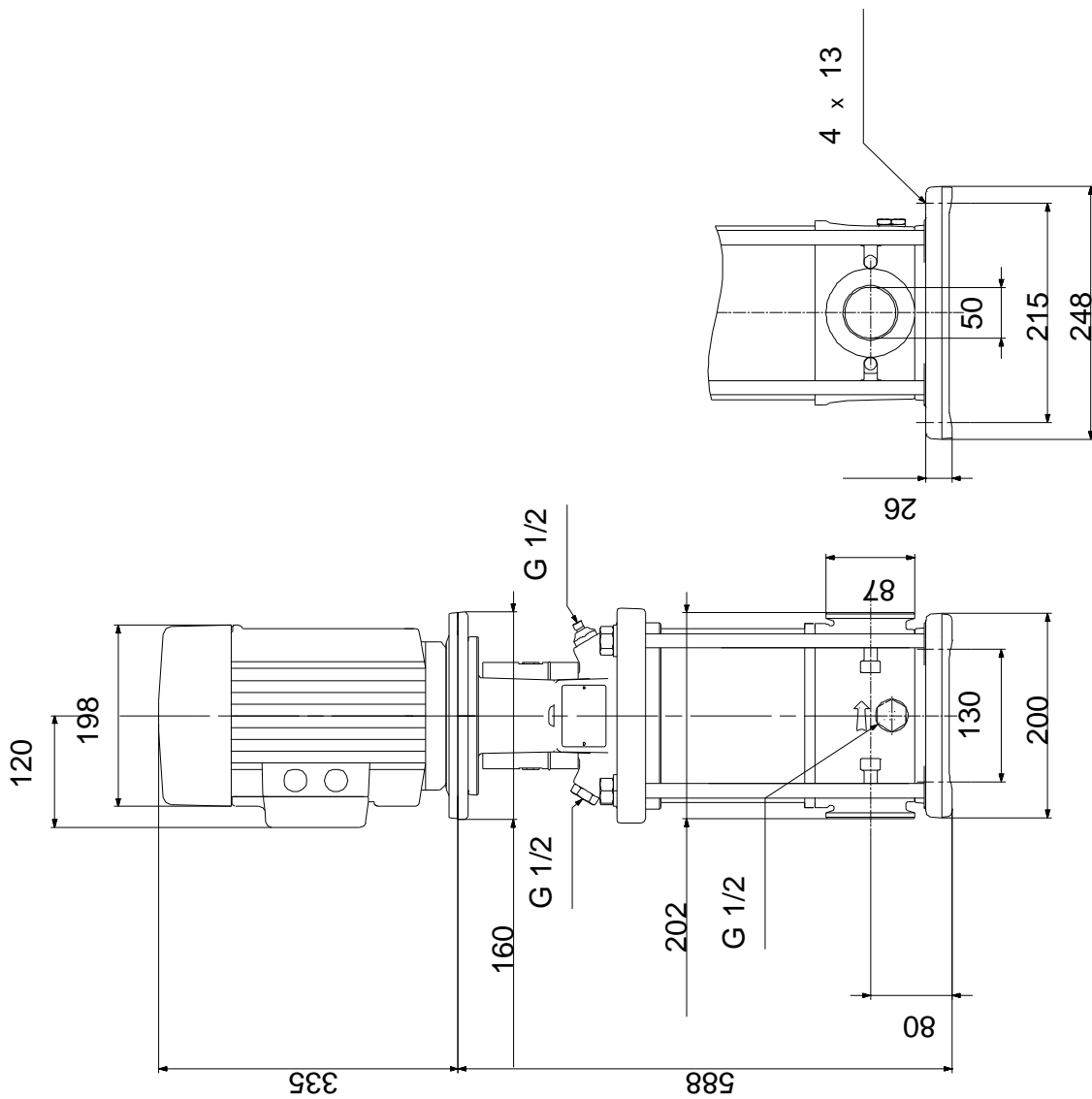
Phone:

Date:

25/09/2019

Description	Value
Rated current:	11.0/6.30 A
Starting current:	840-920 %
Cos phi - power factor:	0.87-0.82
Rated speed:	2900-2920 rpm
Efficiency:	IE3 87,1%
Motor efficiency at full load:	87.1 %
Motor efficiency at 3/4 load:	88.0 %
Motor efficiency at 1/2 load:	87.7 %
Number of poles:	2
Enclosure class (IEC 34-5):	55 Dust/Jetting
Insulation class (IEC 85):	F
Motor protec:	PTC
Motor No:	85U05510
Controls:	
Frequency converter:	NONE
Others:	
Minimum efficiency index, MEI :	0.70
Net weight:	57 kg
Gross weight:	61 kg
Shipping volume:	0.13 m ³
Country of origin:	GB
Custom tariff no.:	84137075

96501157 CRI 10-9 A-CA-A-V-HQQV 50 Hz



Note! All units are in [mm] unless others are stated.
Disclaimer: This simplified dimensional drawing does not show all details.

96501157 CRI 10-9 A-CA-A-V-HQQV 50 Hz



IEC TP211 THERMALLY PROTECTED WHEN THE THERMISTORS ARE
CONNECTED TO AMPLIFIER RELAY FOR CONTROL OF MAIN SUPPLY
THERMISTORS PTC ACCORDING TO DIN 44082

Note! All units are in [mm] unless others are stated.