
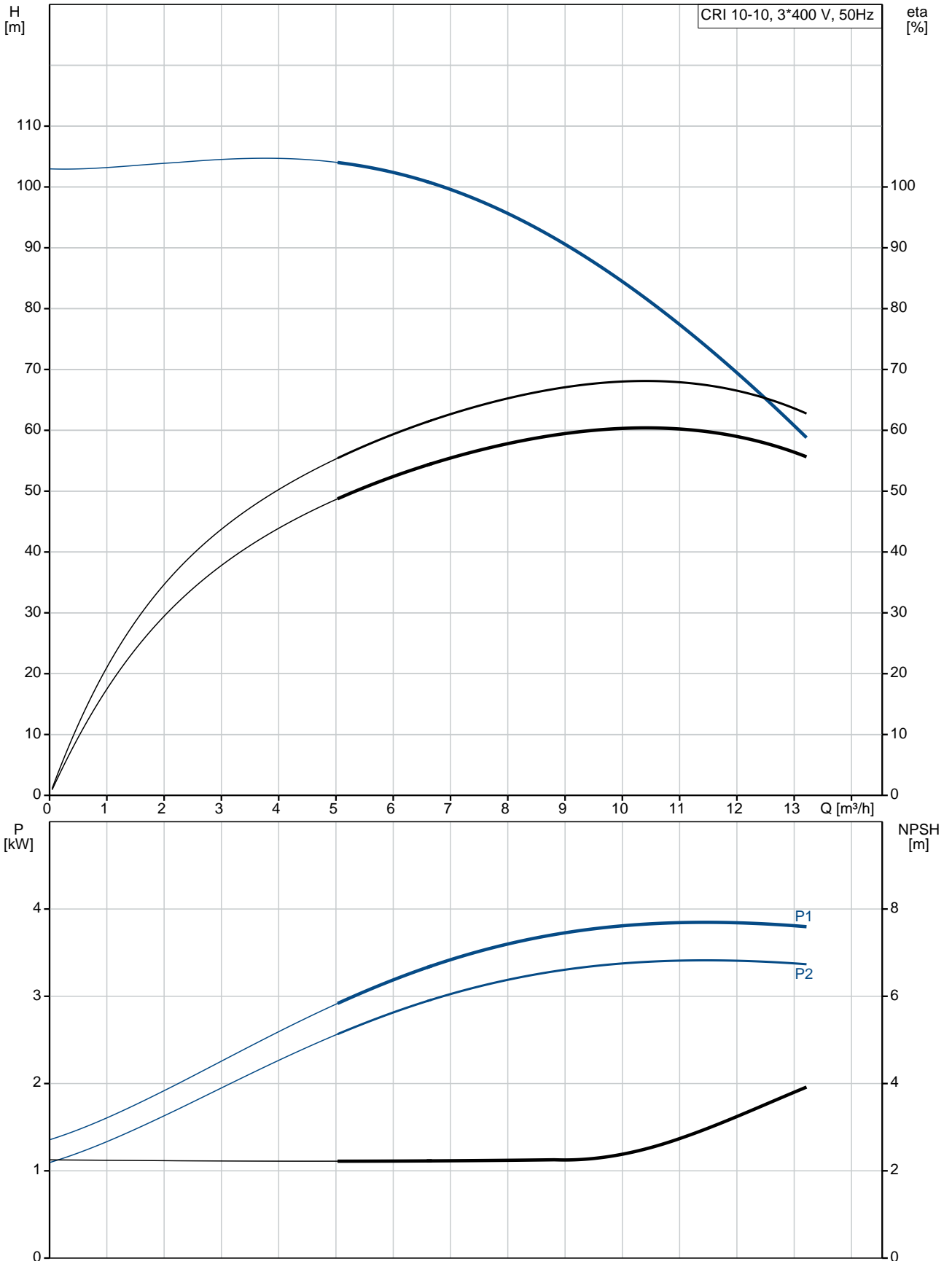


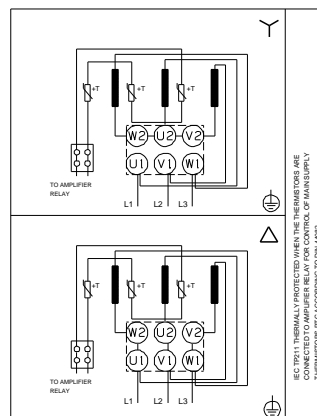
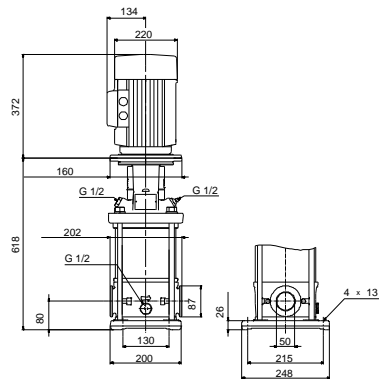
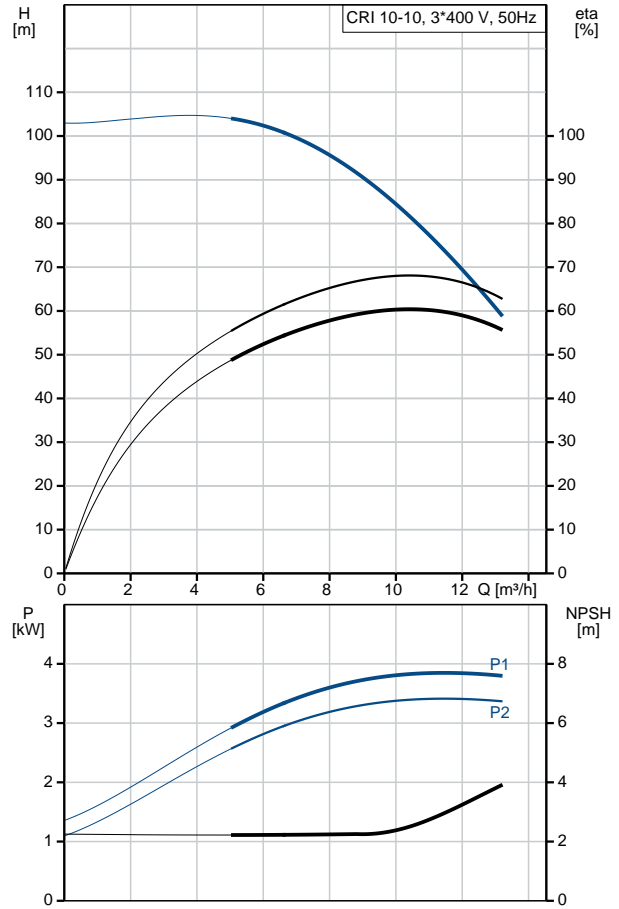
Qty.	Description
1	<p data-bbox="199 338 518 369">CRI 10-10 A-CA-A-V-HQQV</p>  <p data-bbox="199 660 470 689">Product No.: 96501158</p> <p data-bbox="199 719 1449 797">Vertical, multistage centrifugal pump with inlet and outlet ports on same the level (inline). Pump materials in contact with the liquid are in stainless steel. A cartridge shaft seal ensures high reliability, safe handling, and easy access and service. Power transmission is via a rigid split coupling. Pipe connection is via FlexiClamps.</p> <p data-bbox="199 835 938 864">The pump is fitted with a 3-phase, fan-cooled asynchronous motor.</p> <p data-bbox="199 866 938 896">The pump is fitted with a 3-phase, fan-cooled asynchronous motor.</p> <p data-bbox="199 925 316 954">Controls:</p> <p data-bbox="199 956 638 985">Frequency converter: NONE</p> <p data-bbox="199 1014 287 1043">Liquid:</p> <p data-bbox="199 1046 638 1075">Pumped liquid: Water</p> <p data-bbox="199 1077 694 1106">Liquid temperature range: -20 .. 90 °C</p> <p data-bbox="199 1108 630 1137">Selected liquid temperature: 20 °C</p> <p data-bbox="199 1140 778 1169">Density at selected liquid temperature: 998.2 kg/m³</p> <p data-bbox="199 1198 327 1227">Technical:</p> <p data-bbox="199 1229 821 1258">Pump speed on which pump data are based: 2917 rpm</p> <p data-bbox="199 1261 651 1290">Rated flow: 10 m³/h</p> <p data-bbox="199 1292 646 1321">Rated head: 81.6 m</p> <p data-bbox="199 1323 651 1352">Pump orientation: Vertical</p> <p data-bbox="199 1355 638 1384">Shaft seal arrangement: Single</p> <p data-bbox="199 1386 638 1415">Code for shaft seal: HQQV</p> <p data-bbox="199 1417 667 1447">Approvals on nameplate: CE, EAC</p> <p data-bbox="199 1449 762 1478">Curve tolerance: ISO9906:2012 3B</p> <p data-bbox="199 1507 319 1536">Materials:</p> <p data-bbox="199 1538 726 1603">Base: Stainless steel EN 1.4408 AISI 316</p> <p data-bbox="199 1619 726 1684">Impeller: Stainless steel EN 1.4301 AISI 304</p> <p data-bbox="199 1700 606 1729">Bearing: SIC</p> <p data-bbox="199 1758 343 1787">Installation:</p> <p data-bbox="199 1789 630 1818">Maximum ambient temperature: 60 °C</p> <p data-bbox="199 1821 638 1850">Maximum operating pressure: 16 bar</p> <p data-bbox="199 1852 734 1917">Max pressure at stated temp: 16 bar / 90 °C 16 bar / -20 °C</p> <p data-bbox="199 1910 694 1939">Type of connection: FlexiClamp</p> <p data-bbox="199 1942 638 1971">Size of inlet connection: DN 50</p> <p data-bbox="199 1973 638 2002">Size of outlet connection: DN 50</p> <p data-bbox="199 2004 686 2033">Pressure rating for pipe connection: PN 25</p> <p data-bbox="199 2036 638 2065">Flange size for motor: FT130</p>

Qty.	Description
	<p>Electrical data:</p> <p>Motor standard: IEC</p> <p>Motor type: 112MC</p> <p>IE Efficiency class: IE3</p> <p>Rated power - P2: 4 kW</p> <p>Power (P2) required by pump: 4 kW</p> <p>Mains frequency: 50 Hz</p> <p>Rated voltage: 3 x 220-240D/380-415Y V</p> <p>Rated current: 13.6/7.90 A</p> <p>Starting current: 1000-1110 %</p> <p>Cos phi - power factor: 0.87-0.87</p> <p>Rated speed: 2920-2940 rpm</p> <p>Efficiency: IE3 88,1%</p> <p>Motor efficiency at full load: 88.1 %</p> <p>Motor efficiency at 3/4 load: 88.6 %</p> <p>Motor efficiency at 1/2 load: 85.2 %</p> <p>Number of poles: 2</p> <p>Enclosure class (IEC 34-5): 55 Dust/Jetting</p> <p>Insulation class (IEC 85): F</p> <p>Motor No: 85U05413</p> <p>Others:</p> <p>Minimum efficiency index, MEI : 0.70</p> <p>Net weight: 70 kg</p> <p>Gross weight: 74 kg</p> <p>Shipping volume: 0.13 m³</p>

96501158 CRI 10-10 A-CA-A-V-HQQV 50 Hz



Description	Value
General information:	
Product name:	CRI 10-10 A-CA-A-V-HQQV
Product No:	96501158
EAN number:	5700396216515 5700396216515
Technical:	
Pump speed on which pump data are based:	2917 rpm
Rated flow:	10 m ³ /h
Rated head:	81.6 m
Head max:	102 m
Stages:	10
Impellers:	10
Number of reduced-diameter impellers:	0
Low NPSH:	N
Pump orientation:	Vertical
Shaft seal arrangement:	Single
Code for shaft seal:	HQQV
Approvals on nameplate:	CE, EAC
Curve tolerance:	ISO9906:2012 3B
Pump version:	A
Model:	A
Materials:	
Base:	Stainless steel EN 1.4408 AISI 316
Impeller:	Stainless steel EN 1.4301 AISI 304
Material code:	A
Code for rubber:	V
Bearing:	SIC
Installation:	
Maximum ambient temperature:	60 °C
Maximum operating pressure:	16 bar
Max pressure at stated temp:	16 bar / 90 °C 16 bar / -20 °C
Type of connection:	FlexiClamp
Size of inlet connection:	DN 50
Size of outlet connection:	DN 50
Pressure rating for pipe connection:	PN 25
Flange size for motor:	FT130
Connect code:	CA
Liquid:	
Pumped liquid:	Water
Liquid temperature range:	-20 .. 90 °C
Selected liquid temperature:	20 °C
Density at selected liquid temperature:	998.2 kg/m ³
Electrical data:	
Motor standard:	IEC
Motor type:	112MC
IE Efficiency class:	IE3
Rated power - P2:	4 kW
Power (P2) required by pump:	4 kW
Mains frequency:	50 Hz
Rated voltage:	3 x 220-240D/380-415Y V
Rated current:	13.6/7.90 A





Company name:

Created by:

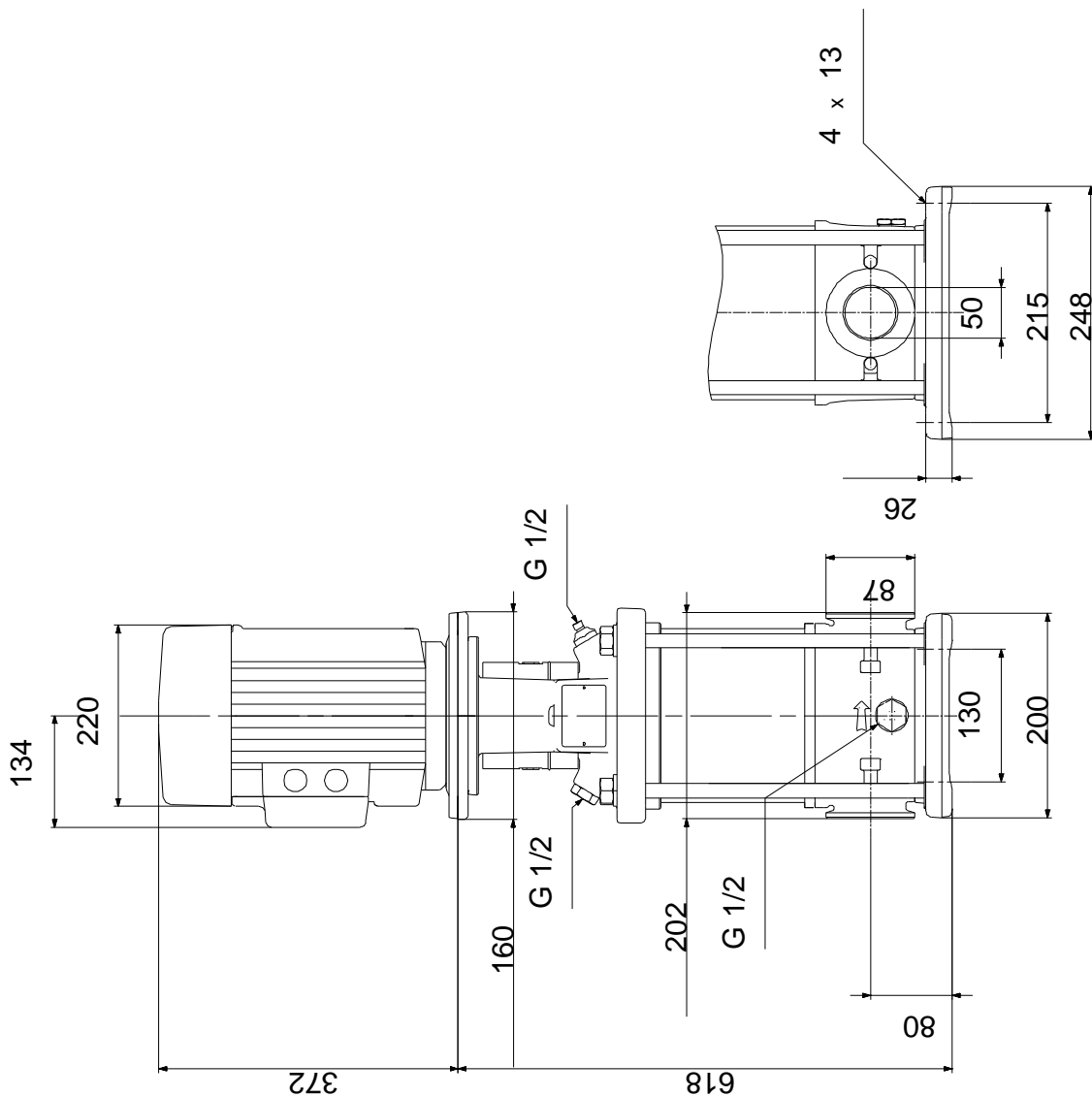
Phone:

Date:

25/09/2019

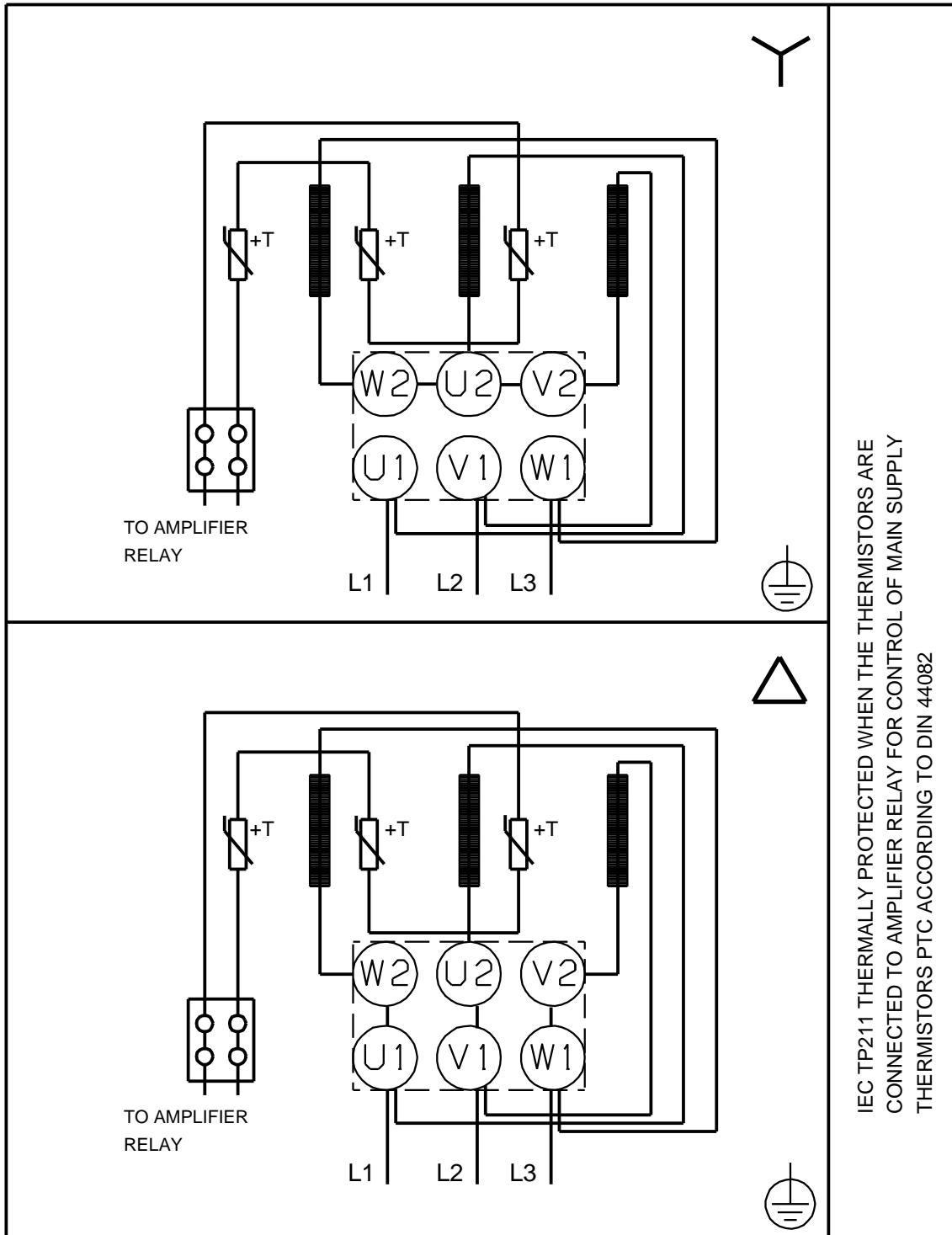
Description	Value
Starting current:	1000-1110 %
Cos phi - power factor:	0.87-0.87
Rated speed:	2920-2940 rpm
Efficiency:	IE3 88,1%
Motor efficiency at full load:	88.1 %
Motor efficiency at 3/4 load:	88.6 %
Motor efficiency at 1/2 load:	85.2 %
Number of poles:	2
Enclosure class (IEC 34-5):	55 Dust/Jetting
Insulation class (IEC 85):	F
Motor protec:	PTC
Motor No:	85U05413
Controls:	
Frequency converter:	NONE
Others:	
Minimum efficiency index, MEI :	0.70
Net weight:	70 kg
Gross weight:	74 kg
Shipping volume:	0.13 m ³

96501158 CRI 10-10 A-CA-A-V-HQQV 50 Hz



Note! All units are in [mm] unless others are stated.
Disclaimer: This simplified dimensional drawing does not show all details.

96501158 CRI 10-10 A-CA-A-V-HQQV 50 Hz



IEC TP211 THERMALLY PROTECTED WHEN THE THERMISTORS ARE
CONNECTED TO AMPLIFIER RELAY FOR CONTROL OF MAIN SUPPLY
THERMISTORS PTC ACCORDING TO DIN 44082

Note! All units are in [mm] unless others are stated.