
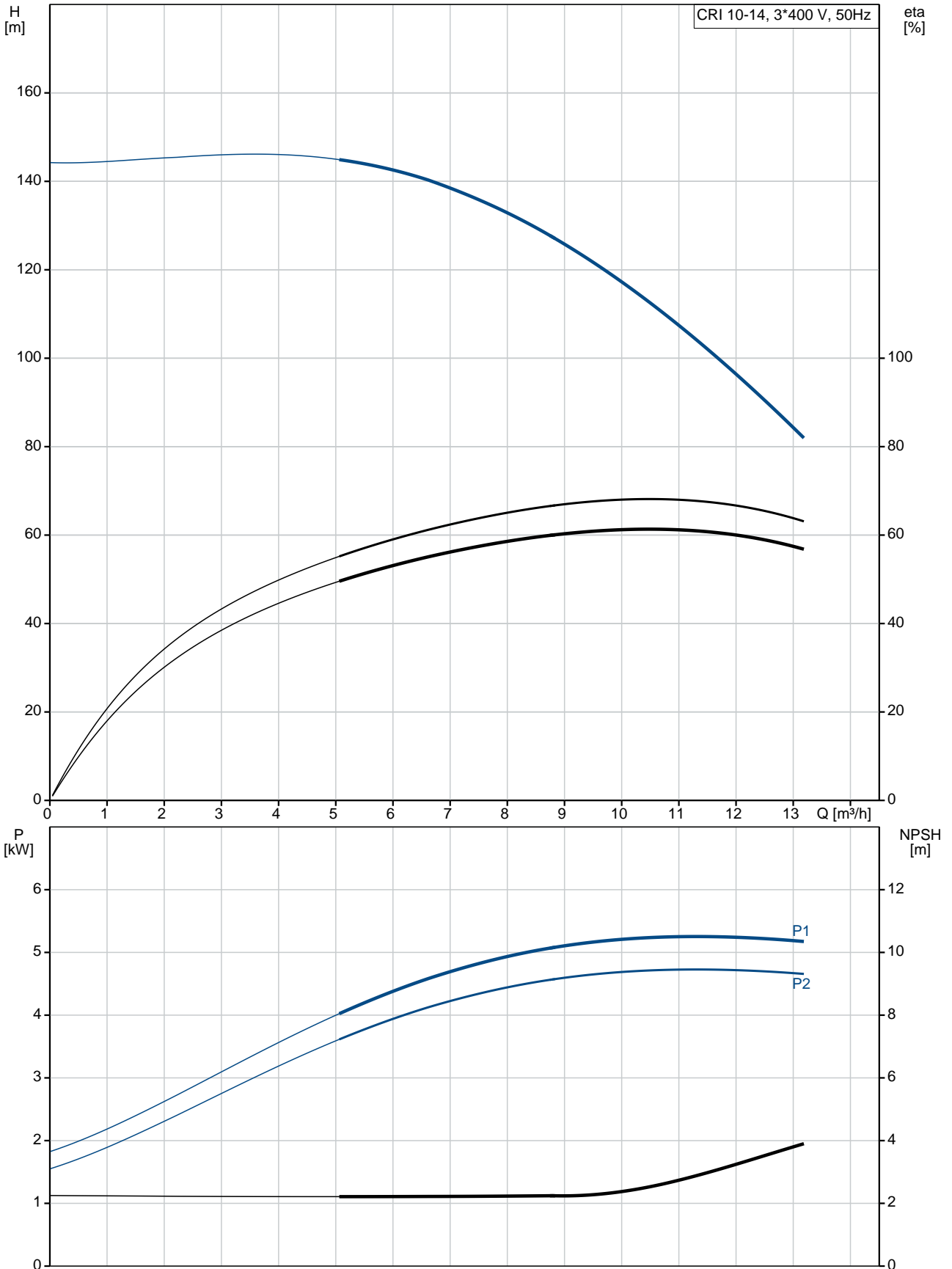


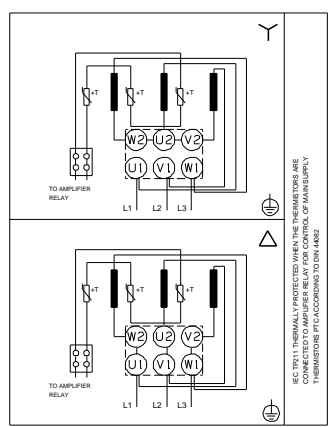
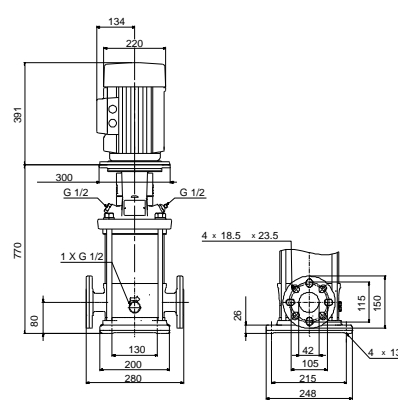
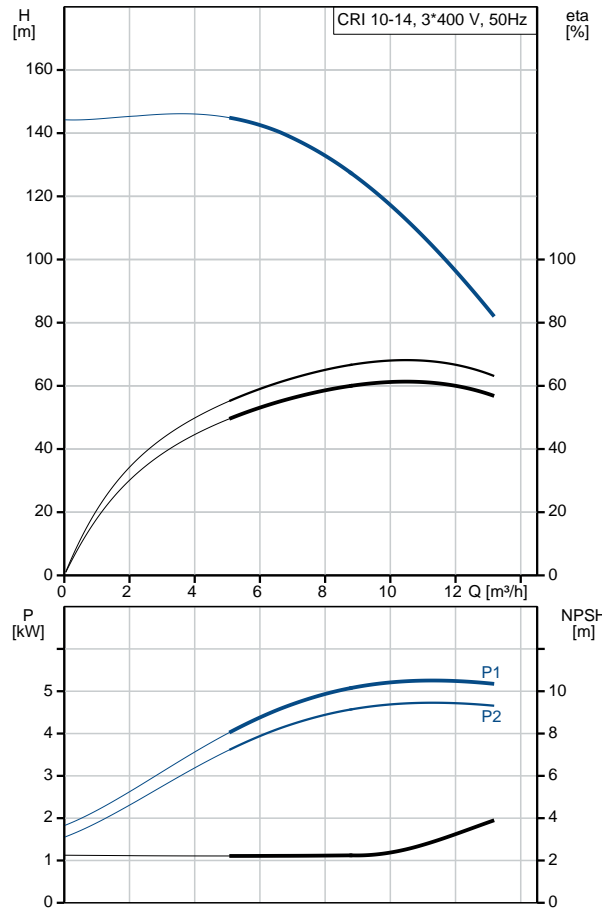
Qty.	Description
1	<p data-bbox="199 342 534 365">CRI 10-14 A-FGJ-A-V-HQQV</p> <div data-bbox="359 376 427 633" style="text-align: center;">  </div> <p data-bbox="199 663 470 685">Product No.: 96501345</p> <p data-bbox="199 719 1460 819">Vertical, multistage centrifugal pump with inlet and outlet ports on same the level (inline). Pump materials in contact with the liquid are in stainless steel. A cartridge shaft seal ensures high reliability, safe handling, and easy access and service. Power transmission is via a rigid split coupling. Pipe connection is via combined DIN-ANSI-JIS flanges.</p> <p data-bbox="199 864 933 920">The pump is fitted with a 3-phase, fan-cooled asynchronous motor. The pump is fitted with a 3-phase, fan-cooled asynchronous motor.</p> <p data-bbox="199 954 319 976">Controls:</p> <p data-bbox="199 981 638 1003">Frequency converter: NONE</p> <p data-bbox="199 1043 287 1066">Liquid:</p> <p data-bbox="199 1070 638 1093">Pumped liquid: Water</p> <p data-bbox="199 1097 694 1120">Liquid temperature range: -20 .. 90 °C</p> <p data-bbox="199 1124 630 1146">Selected liquid temperature: 20 °C</p> <p data-bbox="199 1151 774 1173">Density at selected liquid temperature: 998.2 kg/m³</p> <p data-bbox="199 1223 327 1245">Technical:</p> <p data-bbox="199 1249 821 1272">Pump speed on which pump data are based: 2919 rpm</p> <p data-bbox="199 1276 654 1299">Rated flow: 10 m³/h</p> <p data-bbox="199 1303 654 1326">Rated head: 114.4 m</p> <p data-bbox="199 1330 654 1352">Pump orientation: Vertical</p> <p data-bbox="199 1357 638 1379">Shaft seal arrangement: Single</p> <p data-bbox="199 1384 638 1406">Code for shaft seal: HQQV</p> <p data-bbox="199 1411 670 1433">Approvals on nameplate: CE, EAC</p> <p data-bbox="199 1438 766 1460">Curve tolerance: ISO9906:2012 3B</p> <p data-bbox="199 1509 319 1532">Materials:</p> <p data-bbox="199 1536 726 1592">Base: Stainless steel EN 1.4408</p> <p data-bbox="199 1597 726 1653">Impeller: Stainless steel EN 1.4301</p> <p data-bbox="199 1657 662 1713">Bearing: AISI 304 SIC</p> <p data-bbox="199 1783 343 1805">Installation:</p> <p data-bbox="199 1809 630 1832">Maximum ambient temperature: 60 °C</p> <p data-bbox="199 1836 638 1859">Maximum operating pressure: 16 bar</p> <p data-bbox="199 1863 726 1886">Max pressure at stated temp: 16 bar / 90 °C</p> <p data-bbox="199 1890 734 1912"> 16 bar / -20 °C</p> <p data-bbox="199 1917 742 1939">Type of connection: DIN / ANSI / JIS</p> <p data-bbox="199 1944 638 1966">Size of inlet connection: DN 40</p> <p data-bbox="199 1971 638 1993">Size of outlet connection: DN 40</p> <p data-bbox="199 1998 686 2020">Pressure rating for pipe connection: PN 25</p> <p data-bbox="199 2024 638 2047">Flange rating inlet: 300 lb</p> <p data-bbox="199 2051 638 2074">Flange size for motor: FF265</p>

Qty.	Description
	<p>Electrical data:</p> <p>Motor standard: IEC</p> <p>Motor type: 132SC</p> <p>IE Efficiency class: IE3</p> <p>Rated power - P2: 5.5 kW</p> <p>Power (P2) required by pump: 5.5 kW</p> <p>Mains frequency: 50 Hz</p> <p>Rated voltage: 3 x 380-415D V</p> <p>Rated current: 11 A</p> <p>Starting current: 1080-1180 %</p> <p>Cos phi - power factor: 0.87-0.82</p> <p>Rated speed: 2920-2940 rpm</p> <p>Efficiency: IE3 89,2%</p> <p>Motor efficiency at full load: 89.2 %</p> <p>Motor efficiency at 3/4 load: 90.0 %</p> <p>Motor efficiency at 1/2 load: 89.6 %</p> <p>Number of poles: 2</p> <p>Enclosure class (IEC 34-5): 55 Dust/Jetting</p> <p>Insulation class (IEC 85): F</p> <p>Motor No: 85U17417</p> <p>Others:</p> <p>Minimum efficiency index, MEI : 0.70</p> <p>Net weight: 93 kg</p> <p>Gross weight: 115 kg</p> <p>Shipping volume: 0.285 m³</p> <p>Country of origin: GB</p> <p>Custom tariff no.: 84137075</p>

96501345 CRI 10-14 A-FGJ-A-V-HQQV 50 Hz



Description	Value
General information:	
Product name:	CRI 10-14 A-FGJ-A-V-HQQV
Product No:	96501345
EAN number:	5700396220352 5700396220352
Price:	2.721,00 GBP
Technical:	
Pump speed on which pump data are based:	2919 rpm
Rated flow:	10 m ³ /h
Rated head:	114.4 m
Head max:	143 m
Stages:	14
Impellers:	14
Number of reduced-diameter impellers:	0
Low NPSH:	N
Pump orientation:	Vertical
Shaft seal arrangement:	Single
Code for shaft seal:	HQQV
Approvals on nameplate:	CE, EAC
Curve tolerance:	ISO9906:2012 3B
Pump version:	A
Model:	A
Materials:	
Base:	Stainless steel EN 1.4408 AISI 316
Impeller:	Stainless steel EN 1.4301 AISI 304
Material code:	A
Code for rubber:	V
Bearing:	SIC
Installation:	
Maximum ambient temperature:	60 °C
Maximum operating pressure:	16 bar
Max pressure at stated temp:	16 bar / 90 °C 16 bar / -20 °C
Type of connection:	DIN / ANSI / JIS
Size of inlet connection:	DN 40
Size of outlet connection:	DN 40
Pressure rating for pipe connection:	PN 25
Flange rating inlet:	300 lb
Flange size for motor:	FF265
Connect code:	FGJ
Liquid:	
Pumped liquid:	Water
Liquid temperature range:	-20 .. 90 °C
Selected liquid temperature:	20 °C
Density at selected liquid temperature:	998.2 kg/m ³
Electrical data:	
Motor standard:	IEC
Motor type:	132SC
IE Efficiency class:	IE3
Rated power - P2:	5.5 kW
Power (P2) required by pump:	5.5 kW
Mains frequency:	50 Hz
Rated voltage:	3 x 380-415D V





Company name:

Created by:

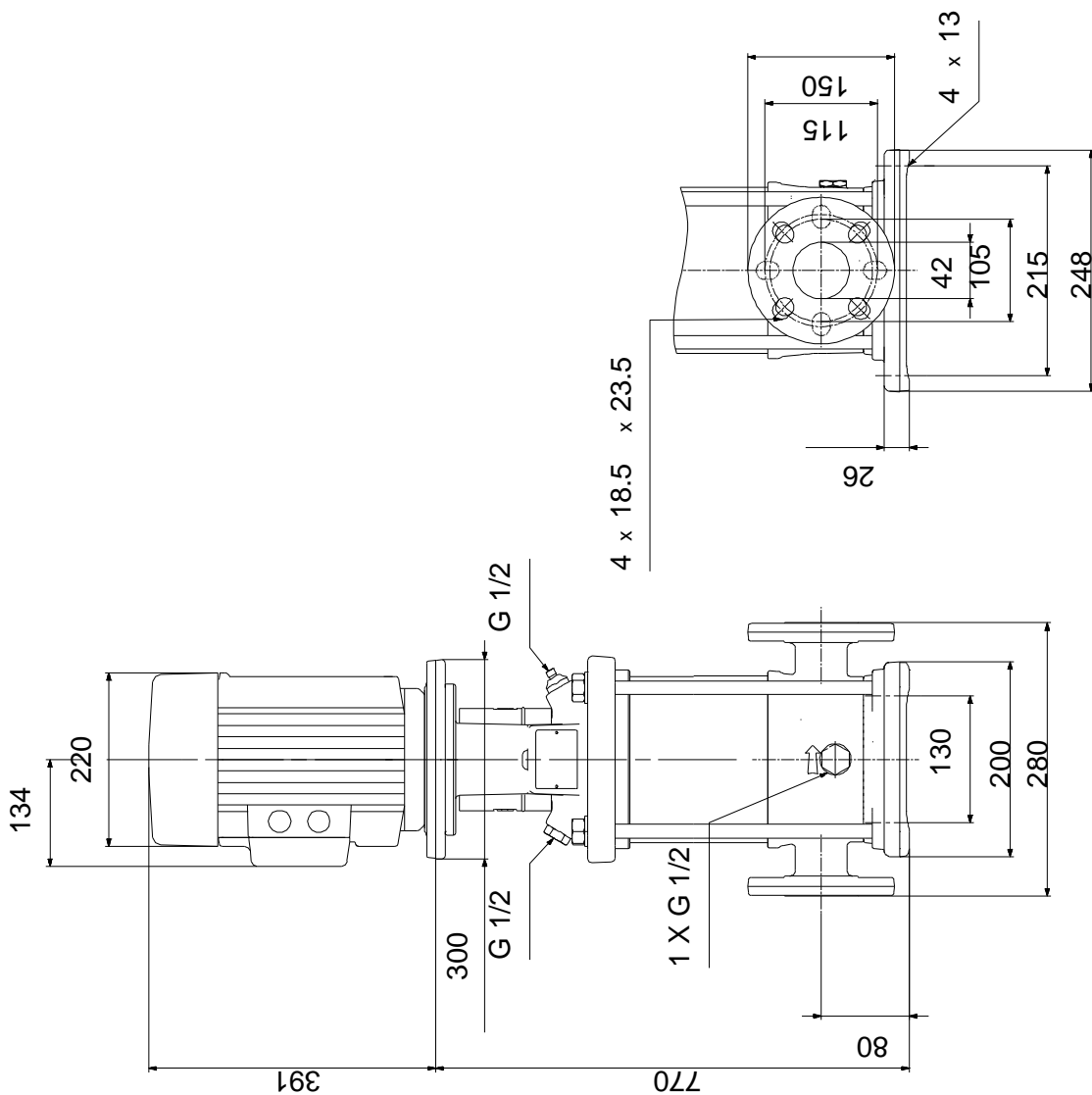
Phone:

Date:

25/09/2019

Description	Value
Rated current:	11 A
Starting current:	1080-1180 %
Cos phi - power factor:	0.87-0.82
Rated speed:	2920-2940 rpm
Efficiency:	IE3 89,2%
Motor efficiency at full load:	89.2 %
Motor efficiency at 3/4 load:	90.0 %
Motor efficiency at 1/2 load:	89.6 %
Number of poles:	2
Enclosure class (IEC 34-5):	55 Dust/Jetting
Insulation class (IEC 85):	F
Motor protec:	PTC
Motor No:	85U17417
Controls:	
Frequency converter:	NONE
Others:	
Minimum efficiency index, MEI :	0.70
Net weight:	93 kg
Gross weight:	115 kg
Shipping volume:	0.285 m ³
Country of origin:	GB
Custom tariff no.:	84137075

96501345 CRI 10-14 A-FGJ-A-V-HQQV 50 Hz



Note! All units are in [mm] unless others are stated.
Disclaimer: This simplified dimensional drawing does not show all details.

96501345 CRI 10-14 A-FGJ-A-V-HQQV 50 Hz



IEC TP211 THERMALLY PROTECTED WHEN THE THERMISTORS ARE
CONNECTED TO AMPLIFIER RELAY FOR CONTROL OF MAIN SUPPLY
THERMISTORS PTC ACCORDING TO DIN 44082

Note! All units are in [mm] unless others are stated.