


Qty.	Description
1	<p data-bbox="199 338 531 367">CRI 10-16 A-FGJ-A-V-HQQV</p> <div data-bbox="359 376 427 633" style="text-align: center;">  </div> <p data-bbox="199 663 469 692">Product No.: 96501346</p> <p data-bbox="199 721 1449 824">Vertical, multistage centrifugal pump with inlet and outlet ports on same the level (inline). Pump materials in contact with the liquid are in stainless steel. A cartridge shaft seal ensures high reliability, safe handling, and easy access and service. Power transmission is via a rigid split coupling. Pipe connection is via combined DIN-ANSI-JIS flanges.</p> <p data-bbox="199 864 935 922">The pump is fitted with a 3-phase, fan-cooled asynchronous motor. The pump is fitted with a 3-phase, fan-cooled asynchronous motor.</p> <p data-bbox="199 954 316 983">Controls:</p> <p data-bbox="199 983 639 1012">Frequency converter: NONE</p> <p data-bbox="199 1043 288 1072">Liquid:</p> <p data-bbox="199 1072 639 1102">Pumped liquid: Water</p> <p data-bbox="199 1102 692 1131">Liquid temperature range: -20 .. 90 °C</p> <p data-bbox="199 1131 632 1160">Selected liquid temperature: 20 °C</p> <p data-bbox="199 1160 778 1189">Density at selected liquid temperature: 998.2 kg/m³</p> <p data-bbox="199 1220 328 1249">Technical:</p> <p data-bbox="199 1249 820 1279">Pump speed on which pump data are based: 2919 rpm</p> <p data-bbox="199 1279 651 1308">Rated flow: 10 m³/h</p> <p data-bbox="199 1308 657 1337">Rated head: 129.4 m</p> <p data-bbox="199 1337 651 1366">Pump orientation: Vertical</p> <p data-bbox="199 1366 636 1395">Shaft seal arrangement: Single</p> <p data-bbox="199 1395 639 1424">Code for shaft seal: HQQV</p> <p data-bbox="199 1424 667 1453">Approvals on nameplate: CE, EAC</p> <p data-bbox="199 1453 764 1482">Curve tolerance: ISO9906:2012 3B</p> <p data-bbox="199 1514 320 1543">Materials:</p> <p data-bbox="199 1543 727 1632">Base: Stainless steel EN 1.4408 AISI 316</p> <p data-bbox="199 1637 727 1727">Impeller: Stainless steel EN 1.4301 AISI 304</p> <p data-bbox="199 1727 608 1756">Bearing: SIC</p> <p data-bbox="199 1787 344 1816">Installation:</p> <p data-bbox="199 1816 632 1845">Maximum ambient temperature: 60 °C</p> <p data-bbox="199 1845 639 1874">Maximum operating pressure: 16 bar</p> <p data-bbox="199 1874 727 1904">Max pressure at stated temp: 16 bar / 90 °C</p> <p data-bbox="199 1904 735 1933"> 16 bar / -20 °C</p> <p data-bbox="199 1933 743 1962">Type of connection: DIN / ANSI / JIS</p> <p data-bbox="199 1962 639 1991">Size of inlet connection: DN 40</p> <p data-bbox="199 1991 639 2020">Size of outlet connection: DN 40</p> <p data-bbox="199 2020 687 2049">Pressure rating for pipe connection: PN 25</p> <p data-bbox="199 2049 636 2078">Flange rating inlet: 300 lb</p> <p data-bbox="199 2078 639 2107">Flange size for motor: FF265</p>

Qty.	Description
------	-------------

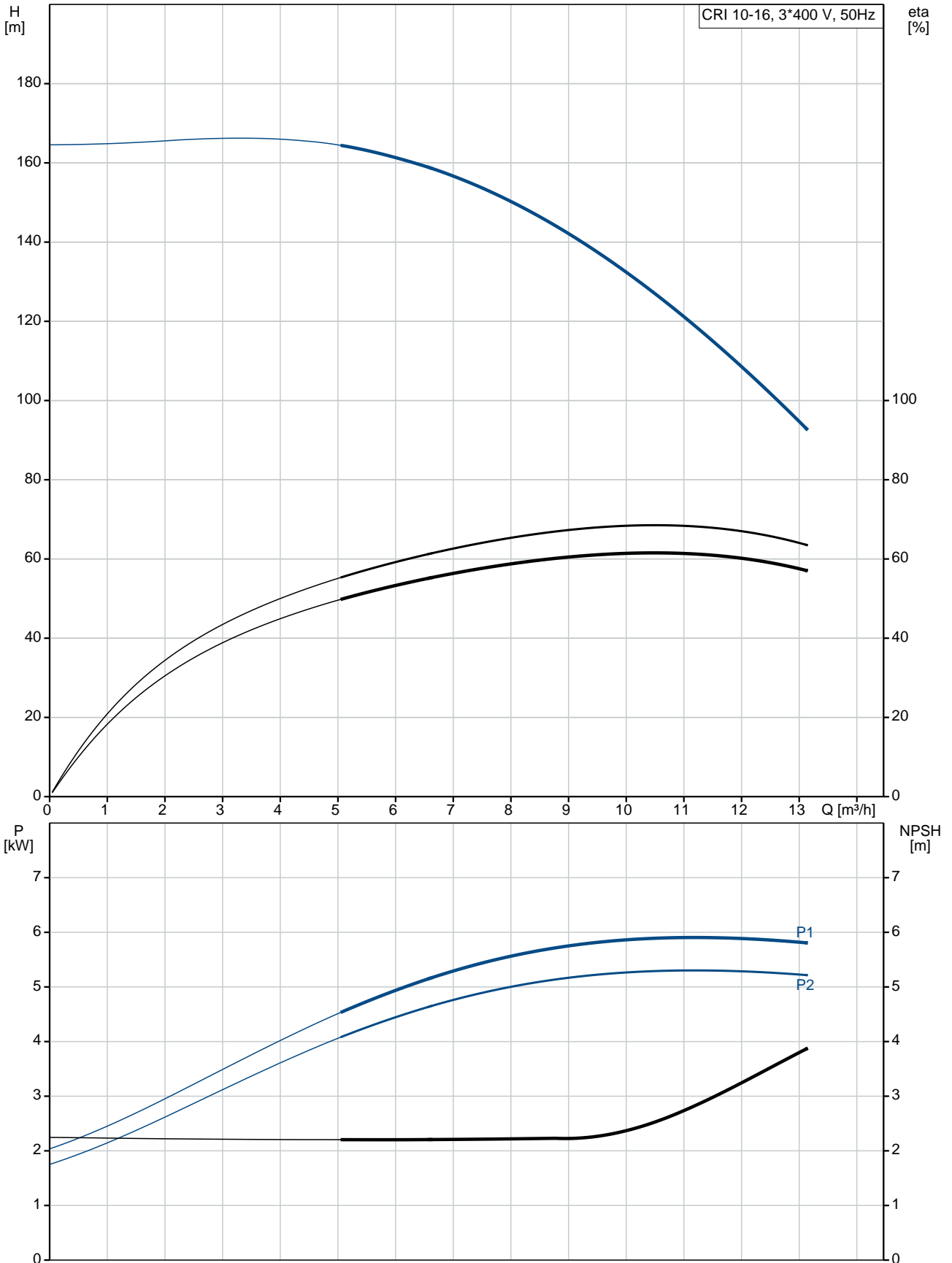
Electrical data:

Motor standard:	IEC
Motor type:	132SC
IE Efficiency class:	IE3
Rated power - P2:	5.5 kW
Power (P2) required by pump:	5.5 kW
Mains frequency:	50 Hz
Rated voltage:	3 x 380-415D V
Rated current:	11 A
Starting current:	1080-1180 %
Cos phi - power factor:	0.87-0.82
Rated speed:	2920-2940 rpm
Efficiency:	IE3 89,2%
Motor efficiency at full load:	89.2 %
Motor efficiency at 3/4 load:	90.0 %
Motor efficiency at 1/2 load:	89.6 %
Number of poles:	2
Enclosure class (IEC 34-5):	55 Dust/Jetting
Insulation class (IEC 85):	F
Motor No:	85U17417

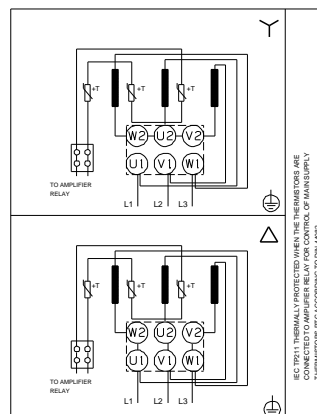
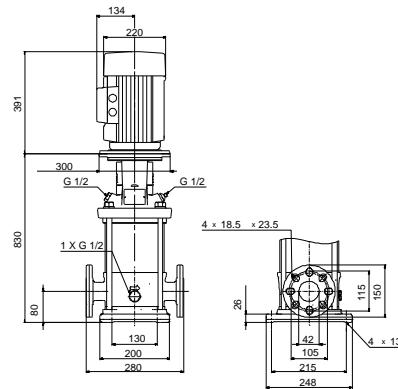
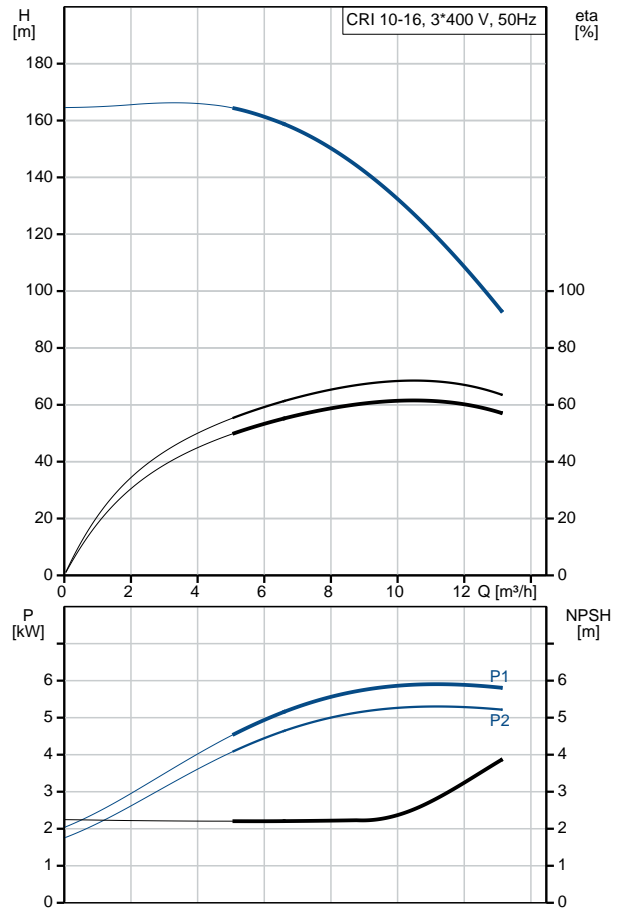
Others:

Minimum efficiency index, MEI :	0.70
Net weight:	95 kg
Gross weight:	117 kg
Shipping volume:	0.321 m ³
Country of origin:	GB
Custom tariff no.:	84137075

96501346 CRI 10-16 A-FGJ-A-V-HQQV 50 Hz



Description	Value
General information:	
Product name:	CRI 10-16 A-FGJ-A-V-HQQV
Product No:	96501346
EAN number:	5700396220376 5700396220376
Price:	2.874,00 GBP
Technical:	
Pump speed on which pump data are based:	2919 rpm
Rated flow:	10 m ³ /h
Rated head:	129.4 m
Head max:	163 m
Stages:	16
Impellers:	16
Number of reduced-diameter impellers:	0
Low NPSH:	N
Pump orientation:	Vertical
Shaft seal arrangement:	Single
Code for shaft seal:	HQQV
Approvals on nameplate:	CE, EAC
Curve tolerance:	ISO9906:2012 3B
Pump version:	A
Model:	A
Materials:	
Base:	Stainless steel EN 1.4408 AISI 316
Impeller:	Stainless steel EN 1.4301 AISI 304
Material code:	A
Code for rubber:	V
Bearing:	SIC
Installation:	
Maximum ambient temperature:	60 °C
Maximum operating pressure:	16 bar
Max pressure at stated temp:	16 bar / 90 °C 16 bar / -20 °C
Type of connection:	DIN / ANSI / JIS
Size of inlet connection:	DN 40
Size of outlet connection:	DN 40
Pressure rating for pipe connection:	PN 25
Flange rating inlet:	300 lb
Flange size for motor:	FF265
Connect code:	FGJ
Liquid:	
Pumped liquid:	Water
Liquid temperature range:	-20 .. 90 °C
Selected liquid temperature:	20 °C
Density at selected liquid temperature:	998.2 kg/m ³
Electrical data:	
Motor standard:	IEC
Motor type:	132SC
IE Efficiency class:	IE3
Rated power - P2:	5.5 kW
Power (P2) required by pump:	5.5 kW
Mains frequency:	50 Hz
Rated voltage:	3 x 380-415D V





Company name:

Created by:

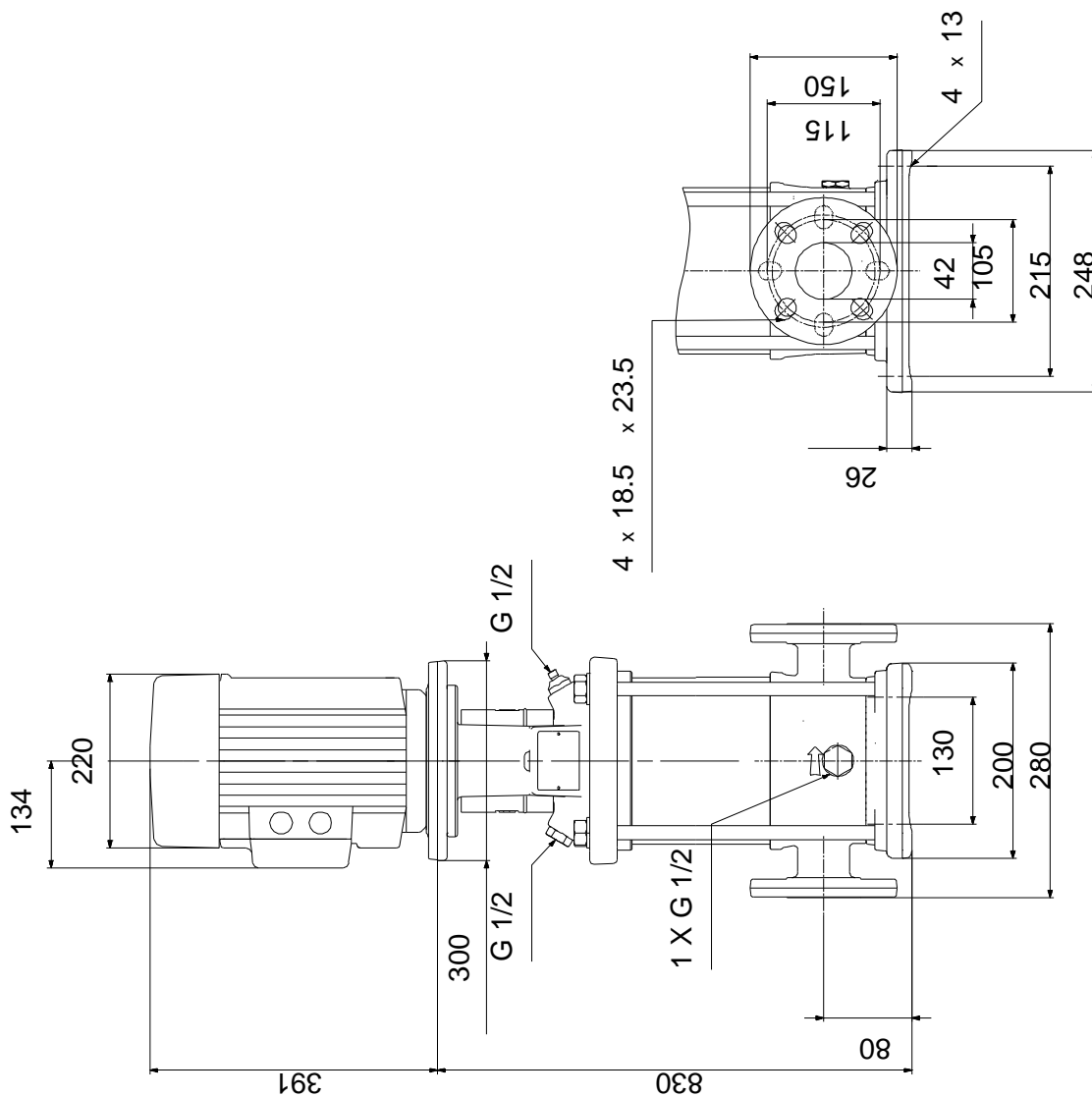
Phone:

Date:

25/09/2019

Description	Value
Rated current:	11 A
Starting current:	1080-1180 %
Cos phi - power factor:	0.87-0.82
Rated speed:	2920-2940 rpm
Efficiency:	IE3 89,2%
Motor efficiency at full load:	89.2 %
Motor efficiency at 3/4 load:	90.0 %
Motor efficiency at 1/2 load:	89.6 %
Number of poles:	2
Enclosure class (IEC 34-5):	55 Dust/Jetting
Insulation class (IEC 85):	F
Motor protec:	PTC
Motor No:	85U17417
Controls:	
Frequency converter:	NONE
Others:	
Minimum efficiency index, MEI :	0.70
Net weight:	95 kg
Gross weight:	117 kg
Shipping volume:	0.321 m ³
Country of origin:	GB
Custom tariff no.:	84137075

96501346 CRI 10-16 A-FGJ-A-V-HQQV 50 Hz



Note! All units are in [mm] unless others are stated.
Disclaimer: This simplified dimensional drawing does not show all details.

96501346 CRI 10-16 A-FGJ-A-V-HQQV 50 Hz



IEC TP211 THERMALLY PROTECTED WHEN THE THERMISTORS ARE
CONNECTED TO AMPLIFIER RELAY FOR CONTROL OF MAIN SUPPLY
THERMISTORS PTC ACCORDING TO DIN 44082

Note! All units are in [mm] unless others are stated.