
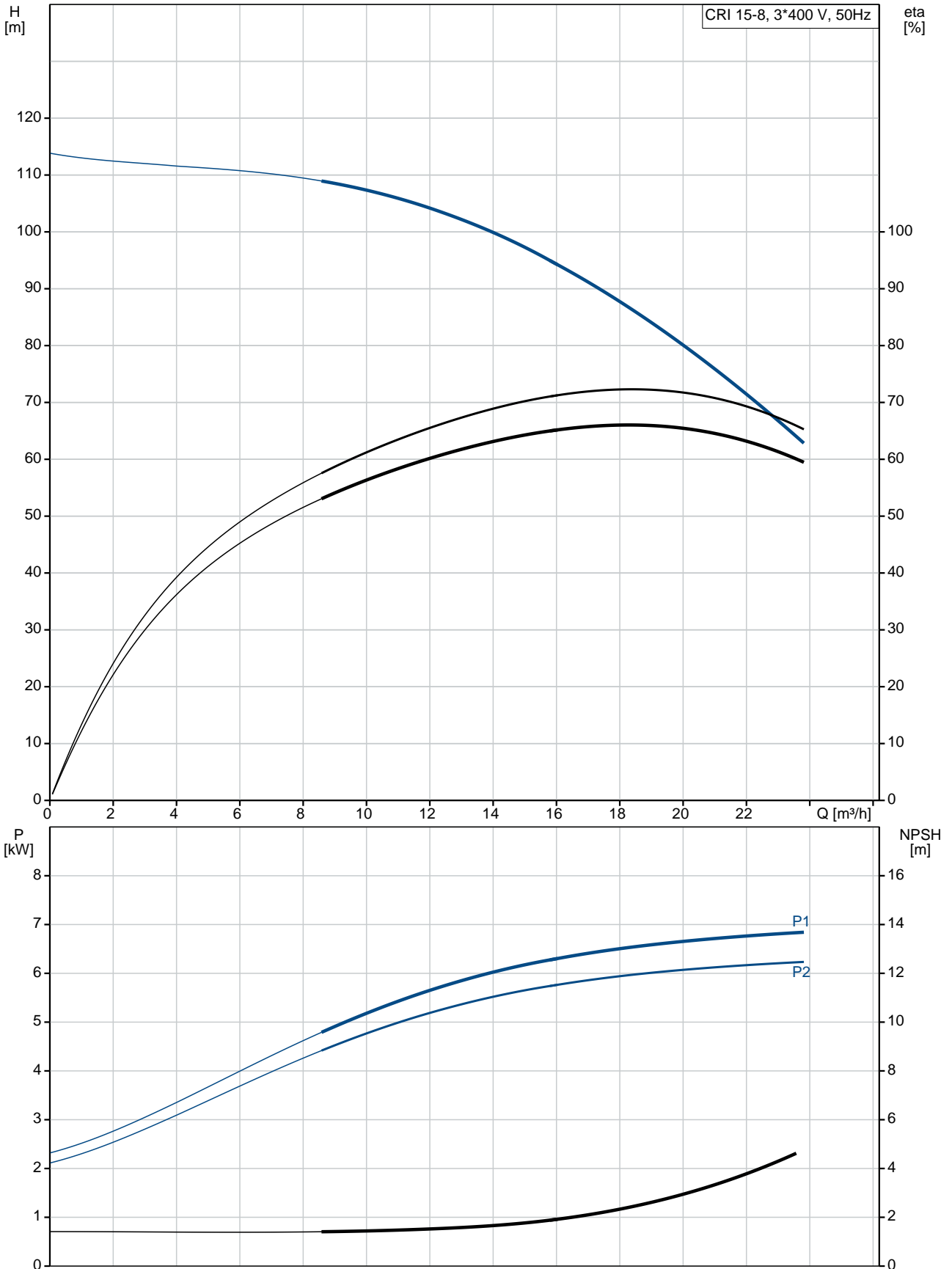


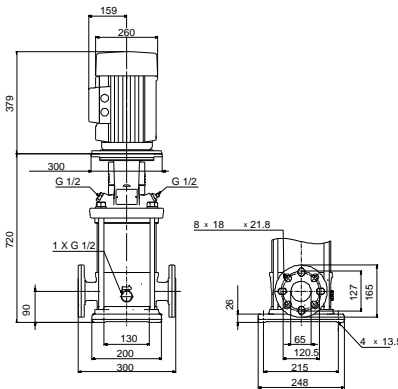
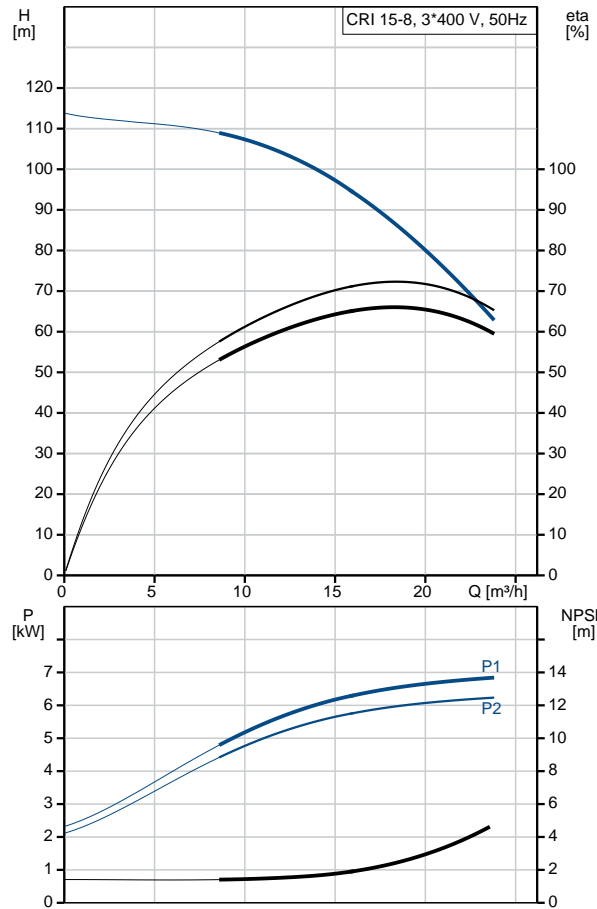
Qty.	Description
1	<p data-bbox="199 336 518 369"><b>CRI 15-8 A-FGJ-A-V-HQQV</b></p>  <p data-bbox="199 660 470 694">Product No.: <a href="#">96502007</a></p> <p data-bbox="199 716 1452 817">Vertical, multistage centrifugal pump with inlet and outlet ports on same the level (inline). Pump materials in contact with the liquid are in stainless steel. A cartridge shaft seal ensures high reliability, safe handling, and easy access and service. Power transmission is via a rigid split coupling. Pipe connection is via combined DIN-ANSI-JIS flanges.</p> <p data-bbox="199 862 933 918">The pump is fitted with a 3-phase, fan-cooled asynchronous motor. The pump is fitted with a 3-phase, fan-cooled asynchronous motor.</p> <p data-bbox="199 952 319 985"><b>Controls:</b></p> <p data-bbox="199 974 638 1008">Frequency converter: NONE</p> <p data-bbox="199 1041 295 1075"><b>Liquid:</b></p> <p data-bbox="199 1064 638 1097">Pumped liquid: Water</p> <p data-bbox="199 1097 694 1131">Liquid temperature range: -20 .. 90 °C</p> <p data-bbox="199 1131 630 1164">Selected liquid temperature: 20 °C</p> <p data-bbox="199 1164 774 1198">Density at selected liquid temperature: 998.2 kg/m<sup>3</sup></p> <p data-bbox="199 1220 327 1254"><b>Technical:</b></p> <p data-bbox="199 1243 821 1276">Pump speed on which pump data are based: 2919 rpm</p> <p data-bbox="199 1276 654 1310">Rated flow: 17 m<sup>3</sup>/h</p> <p data-bbox="199 1310 622 1344">Rated head: 90 m</p> <p data-bbox="199 1344 654 1377">Pump orientation: Vertical</p> <p data-bbox="199 1377 638 1411">Shaft seal arrangement: Single</p> <p data-bbox="199 1411 638 1444">Code for shaft seal: HQQV</p> <p data-bbox="199 1444 670 1478">Approvals on nameplate: CE, EAC</p> <p data-bbox="199 1478 766 1512">Curve tolerance: ISO9906:2012 3B</p> <p data-bbox="199 1534 327 1568"><b>Materials:</b></p> <p data-bbox="199 1556 726 1635">Base: Stainless steel EN 1.4408 AISI 316</p> <p data-bbox="199 1646 726 1724">Impeller: Stainless steel EN 1.4301 AISI 304</p> <p data-bbox="199 1736 614 1769">Bearing: SIC</p> <p data-bbox="199 1792 343 1825"><b>Installation:</b></p> <p data-bbox="199 1825 630 1859">Maximum ambient temperature: 60 °C</p> <p data-bbox="199 1859 638 1892">Maximum operating pressure: 16 bar</p> <p data-bbox="199 1892 734 1926">Max pressure at stated temp: 16 bar / 90 °C</p> <p data-bbox="199 1926 734 1960">16 bar / -20 °C</p> <p data-bbox="199 1960 742 1993">Type of connection: DIN / ANSI / JIS</p> <p data-bbox="199 1993 638 2027">Size of inlet connection: DN 50</p> <p data-bbox="199 2027 638 2060">Size of outlet connection: DN 50</p> <p data-bbox="199 2060 686 2094">Pressure rating for pipe connection: PN 25</p> <p data-bbox="199 2094 638 2128">Flange rating inlet: 300 lb</p> <p data-bbox="199 2128 638 2161">Flange size for motor: FF265</p>

Qty.	Description
	<p><b>Electrical data:</b></p> <p>Motor standard: IEC</p> <p>Motor type: 132SB</p> <p>IE Efficiency class: IE3</p> <p>Rated power - P2: 7.5 kW</p> <p>Power (P2) required by pump: 7.5 kW</p> <p>Mains frequency: 50 Hz</p> <p>Rated voltage: 3 x 380-415D/660-690Y V</p> <p>Rated current: 14,4-14,0/8,30-8,10 A</p> <p>Starting current: 780-910 %</p> <p>Cos phi - power factor: 0.88-0.82</p> <p>Rated speed: 2910-2920 rpm</p> <p>Efficiency: IE3 90,1%</p> <p>Motor efficiency at full load: 90.1-90.4 %</p> <p>Motor efficiency at 3/4 load: 90.8 %</p> <p>Motor efficiency at 1/2 load: 90.8 %</p> <p>Number of poles: 2</p> <p>Enclosure class (IEC 34-5): 55 Dust/Jetting</p> <p>Insulation class (IEC 85): F</p> <p>Motor No: 85U17522</p> <p><b>Others:</b></p> <p>Minimum efficiency index, MEI : 0.70</p> <p>Net weight: 102 kg</p> <p>Gross weight: 124 kg</p> <p>Shipping volume: 0.285 m<sup>3</sup></p> <p>Country of origin: GB</p> <p>Custom tariff no.: 84137075</p>

## 96502007 CRI 15-8 A-FGJ-A-V-HQQV 50 Hz

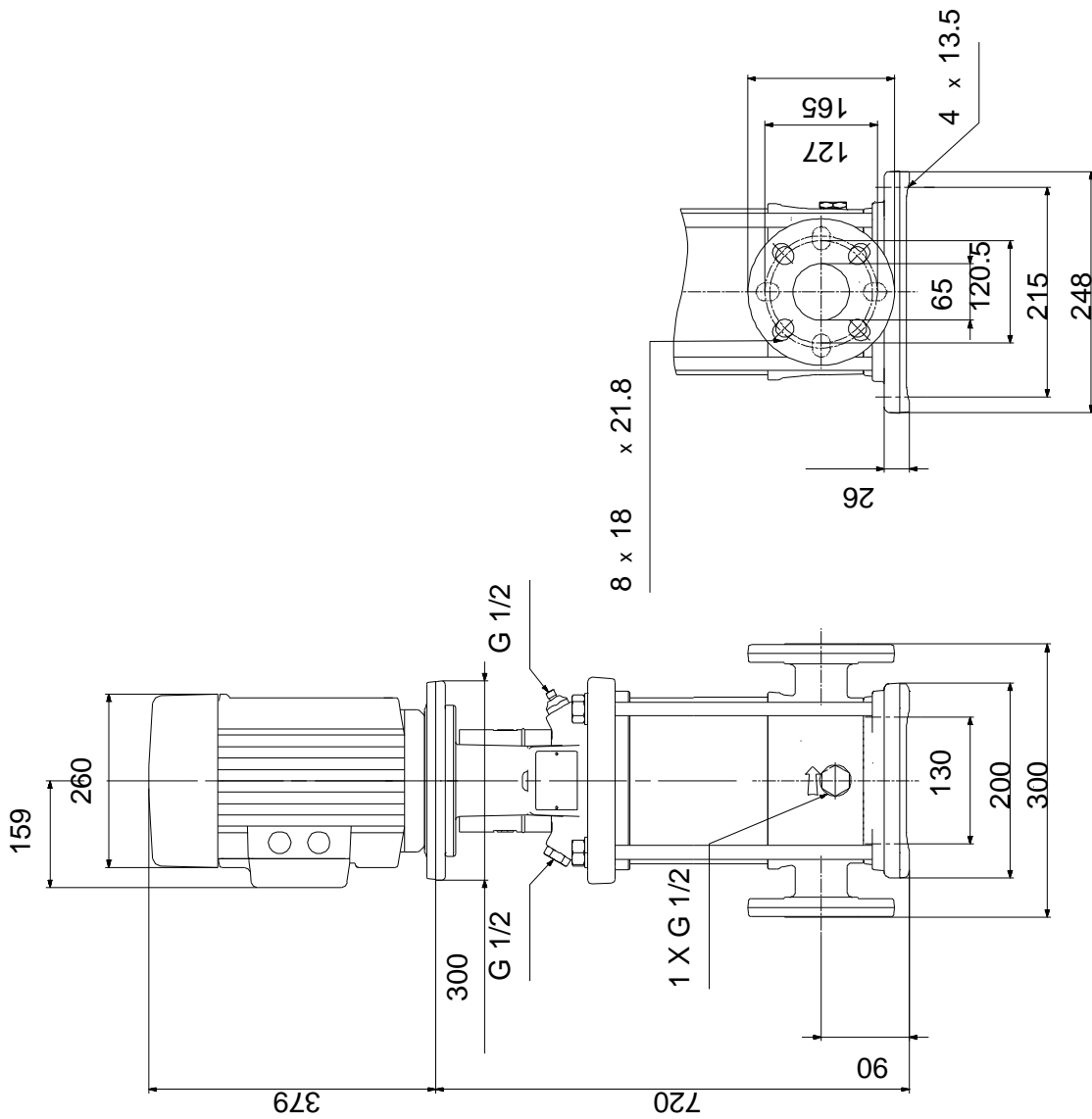


Description	Value
<b>General information:</b>	
Product name:	CRI 15-8 A-FGJ-A-V-HQQV
Product No:	96502007
EAN number:	5700396233604 5700396233604
Price:	3.317,00 GBP
<b>Technical:</b>	
Pump speed on which pump data are based:	2919 rpm
Rated flow:	17 m <sup>3</sup> /h
Rated head:	90 m
Head max:	113 m
Stages:	8
Impellers:	8
Number of reduced-diameter impellers:	0
Low NPSH:	N
Pump orientation:	Vertical
Shaft seal arrangement:	Single
Code for shaft seal:	HQQV
Approvals on nameplate:	CE, EAC
Curve tolerance:	ISO9906:2012 3B
Pump version:	A
Model:	A
<b>Materials:</b>	
Base:	Stainless steel EN 1.4408 AISI 316
Impeller:	Stainless steel EN 1.4301 AISI 304
Material code:	A
Code for rubber:	V
Bearing:	SIC
<b>Installation:</b>	
Maximum ambient temperature:	60 °C
Maximum operating pressure:	16 bar
Max pressure at stated temp:	16 bar / 90 °C 16 bar / -20 °C
Type of connection:	DIN / ANSI / JIS
Size of inlet connection:	DN 50
Size of outlet connection:	DN 50
Pressure rating for pipe connection:	PN 25
Flange rating inlet:	300 lb
Flange size for motor:	FF265
Connect code:	FGJ
<b>Liquid:</b>	
Pumped liquid:	Water
Liquid temperature range:	-20 .. 90 °C
Selected liquid temperature:	20 °C
Density at selected liquid temperature:	998.2 kg/m <sup>3</sup>
<b>Electrical data:</b>	
Motor standard:	IEC
Motor type:	132SB
IE Efficiency class:	IE3
Rated power - P2:	7.5 kW
Power (P2) required by pump:	7.5 kW
Mains frequency:	50 Hz



Description	Value
Rated voltage:	3 x 380-415D/660-690Y V
Rated current:	14,4-14,0/8,30-8,10 A
Starting current:	780-910 %
Cos phi - power factor:	0.88-0.82
Rated speed:	2910-2920 rpm
Efficiency:	IE3 90,1%
Motor efficiency at full load:	90.1-90.4 %
Motor efficiency at 3/4 load:	90.8 %
Motor efficiency at 1/2 load:	90.8 %
Number of poles:	2
Enclosure class (IEC 34-5):	55 Dust/Jetting
Insulation class (IEC 85):	F
Motor protec:	PTC
Motor No:	85U17522
<b>Controls:</b>	
Frequency converter:	NONE
<b>Others:</b>	
Minimum efficiency index, MEI :	0.70
Net weight:	102 kg
Gross weight:	124 kg
Shipping volume:	0.285 m <sup>3</sup>
Country of origin:	GB
Custom tariff no.:	84137075

**96502007 CRI 15-8 A-FGJ-A-V-HQQV 50 Hz**



Note! All units are in [mm] unless others are stated.  
Disclaimer: This simplified dimensional drawing does not show all details.

## 96502007 CRI 15-8 A-FGJ-A-V-HQQV 50 Hz



IEC TP211 THERMALLY PROTECTED WHEN THE THERMISTORS ARE  
CONNECTED TO AMPLIFIER RELAY FOR CONTROL OF MAIN SUPPLY  
THERMISTORS PTC ACCORDING TO DIN 44082

Note! All units are in [mm] unless others are stated.