
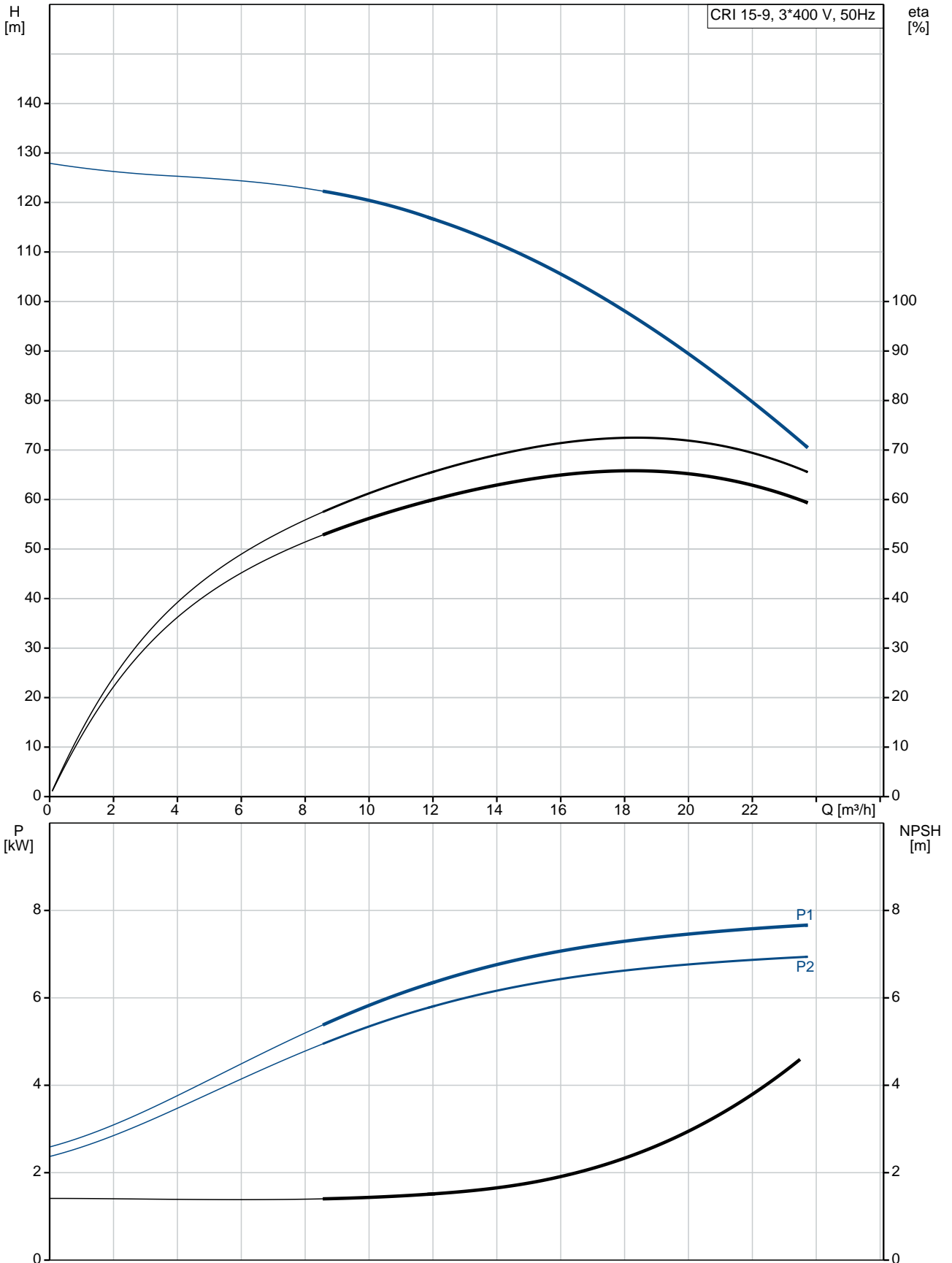


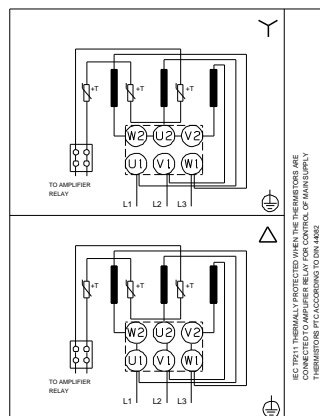
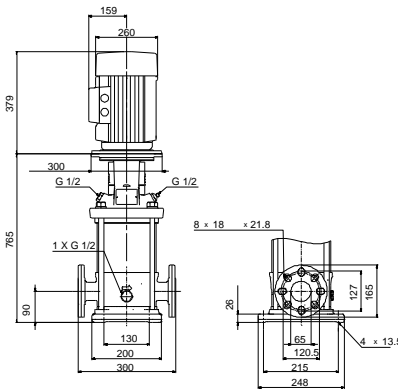
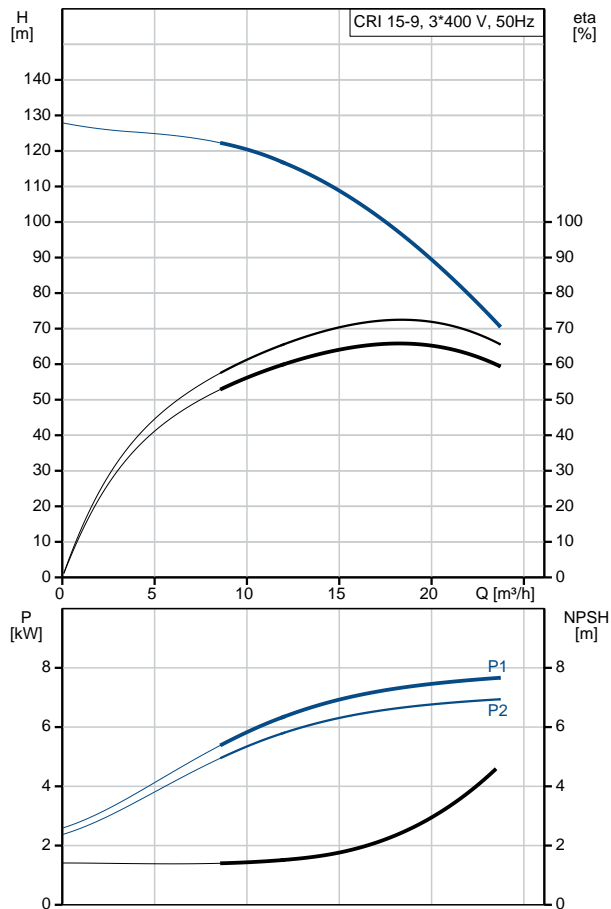
Qty.	Description
1	<p data-bbox="199 342 518 365">CRI 15-9 A-FGJ-A-V-HQQV</p>  <p data-bbox="199 663 470 685">Product No.: 96502008</p> <p data-bbox="199 723 1460 824">Vertical, multistage centrifugal pump with inlet and outlet ports on same the level (inline). Pump materials in contact with the liquid are in stainless steel. A cartridge shaft seal ensures high reliability, safe handling, and easy access and service. Power transmission is via a rigid split coupling. Pipe connection is via combined DIN-ANSI-JIS flanges.</p> <p data-bbox="199 864 933 920">The pump is fitted with a 3-phase, fan-cooled asynchronous motor. The pump is fitted with a 3-phase, fan-cooled asynchronous motor.</p> <p data-bbox="199 954 319 976">Controls:</p> <p data-bbox="199 981 638 1003">Frequency converter: NONE</p> <p data-bbox="199 1043 287 1066">Liquid:</p> <p data-bbox="199 1070 638 1093">Pumped liquid: Water</p> <p data-bbox="199 1097 694 1120">Liquid temperature range: -20 .. 90 °C</p> <p data-bbox="199 1124 630 1146">Selected liquid temperature: 20 °C</p> <p data-bbox="199 1151 774 1173">Density at selected liquid temperature: 998.2 kg/m³</p> <p data-bbox="199 1214 327 1236">Technical:</p> <p data-bbox="199 1240 821 1263">Pump speed on which pump data are based: 2919 rpm</p> <p data-bbox="199 1267 654 1290">Rated flow: 17 m³/h</p> <p data-bbox="199 1294 654 1317">Rated head: 100.6 m</p> <p data-bbox="199 1321 654 1344">Pump orientation: Vertical</p> <p data-bbox="199 1348 638 1370">Shaft seal arrangement: Single</p> <p data-bbox="199 1375 638 1397">Code for shaft seal: HQQV</p> <p data-bbox="199 1402 670 1424">Approvals on nameplate: CE, EAC</p> <p data-bbox="199 1429 766 1451">Curve tolerance: ISO9906:2012 3B</p> <p data-bbox="199 1491 319 1514">Materials:</p> <p data-bbox="199 1518 726 1597">Base: Stainless steel EN 1.4408 AISI 316</p> <p data-bbox="199 1601 726 1680">Impeller: Stainless steel EN 1.4301 AISI 304</p> <p data-bbox="199 1684 606 1706">Bearing: SIC</p> <p data-bbox="199 1747 343 1769">Installation:</p> <p data-bbox="199 1774 638 1796">Maximum ambient temperature: 60 °C</p> <p data-bbox="199 1800 638 1823">Maximum operating pressure: 16 bar</p> <p data-bbox="199 1827 726 1850">Max pressure at stated temp: 16 bar / 90 °C</p> <p data-bbox="199 1854 726 1877">16 bar / -20 °C</p> <p data-bbox="199 1881 742 1904">Type of connection: DIN / ANSI / JIS</p> <p data-bbox="199 1908 638 1930">Size of inlet connection: DN 50</p> <p data-bbox="199 1935 638 1957">Size of outlet connection: DN 50</p> <p data-bbox="199 1962 686 1984">Pressure rating for pipe connection: PN 25</p> <p data-bbox="199 1989 638 2011">Flange rating inlet: 300 lb</p> <p data-bbox="199 2016 638 2038">Flange size for motor: FF265</p>

Qty.	Description
	<p>Electrical data:</p> <p>Motor standard: IEC</p> <p>Motor type: 132SB</p> <p>IE Efficiency class: IE3</p> <p>Rated power - P2: 7.5 kW</p> <p>Power (P2) required by pump: 7.5 kW</p> <p>Mains frequency: 50 Hz</p> <p>Rated voltage: 3 x 380-415D/660-690Y V</p> <p>Rated current: 14,4-14,0/8,30-8,10 A</p> <p>Starting current: 780-910 %</p> <p>Cos phi - power factor: 0.88-0.82</p> <p>Rated speed: 2910-2920 rpm</p> <p>Efficiency: IE3 90,1%</p> <p>Motor efficiency at full load: 90.1-90.4 %</p> <p>Motor efficiency at 3/4 load: 90.8 %</p> <p>Motor efficiency at 1/2 load: 90.8 %</p> <p>Number of poles: 2</p> <p>Enclosure class (IEC 34-5): 55 Dust/Jetting</p> <p>Insulation class (IEC 85): F</p> <p>Motor No: 85U17522</p> <p>Others:</p> <p>Minimum efficiency index, MEI : 0.70</p> <p>Net weight: 103 kg</p> <p>Gross weight: 125 kg</p> <p>Shipping volume: 0.285 m³</p> <p>Country of origin: GB</p> <p>Custom tariff no.: 84137075</p>

96502008 CRI 15-9 A-FGJ-A-V-HQQV 50 Hz



Description	Value
General information:	
Product name:	CRI 15-9 A-FGJ-A-V-HQQV
Product No:	96502008
EAN number:	5700396233628 5700396233628
Price:	3.422,00 GBP
Technical:	
Pump speed on which pump data are based:	2919 rpm
Rated flow:	17 m ³ /h
Rated head:	100.6 m
Head max:	127 m
Stages:	9
Impellers:	9
Number of reduced-diameter impellers:	0
Low NPSH:	N
Pump orientation:	Vertical
Shaft seal arrangement:	Single
Code for shaft seal:	HQQV
Approvals on nameplate:	CE, EAC
Curve tolerance:	ISO9906:2012 3B
Pump version:	A
Model:	A
Materials:	
Base:	Stainless steel EN 1.4408 AISI 316
Impeller:	Stainless steel EN 1.4301 AISI 304
Material code:	A
Code for rubber:	V
Bearing:	SIC
Installation:	
Maximum ambient temperature:	60 °C
Maximum operating pressure:	16 bar
Max pressure at stated temp:	16 bar / 90 °C 16 bar / -20 °C
Type of connection:	DIN / ANSI / JIS
Size of inlet connection:	DN 50
Size of outlet connection:	DN 50
Pressure rating for pipe connection:	PN 25
Flange rating inlet:	300 lb
Flange size for motor:	FF265
Connect code:	FGJ
Liquid:	
Pumped liquid:	Water
Liquid temperature range:	-20 .. 90 °C
Selected liquid temperature:	20 °C
Density at selected liquid temperature:	998.2 kg/m ³
Electrical data:	
Motor standard:	IEC
Motor type:	132SB
IE Efficiency class:	IE3
Rated power - P2:	7.5 kW
Power (P2) required by pump:	7.5 kW
Mains frequency:	50 Hz





Company name:

Created by:

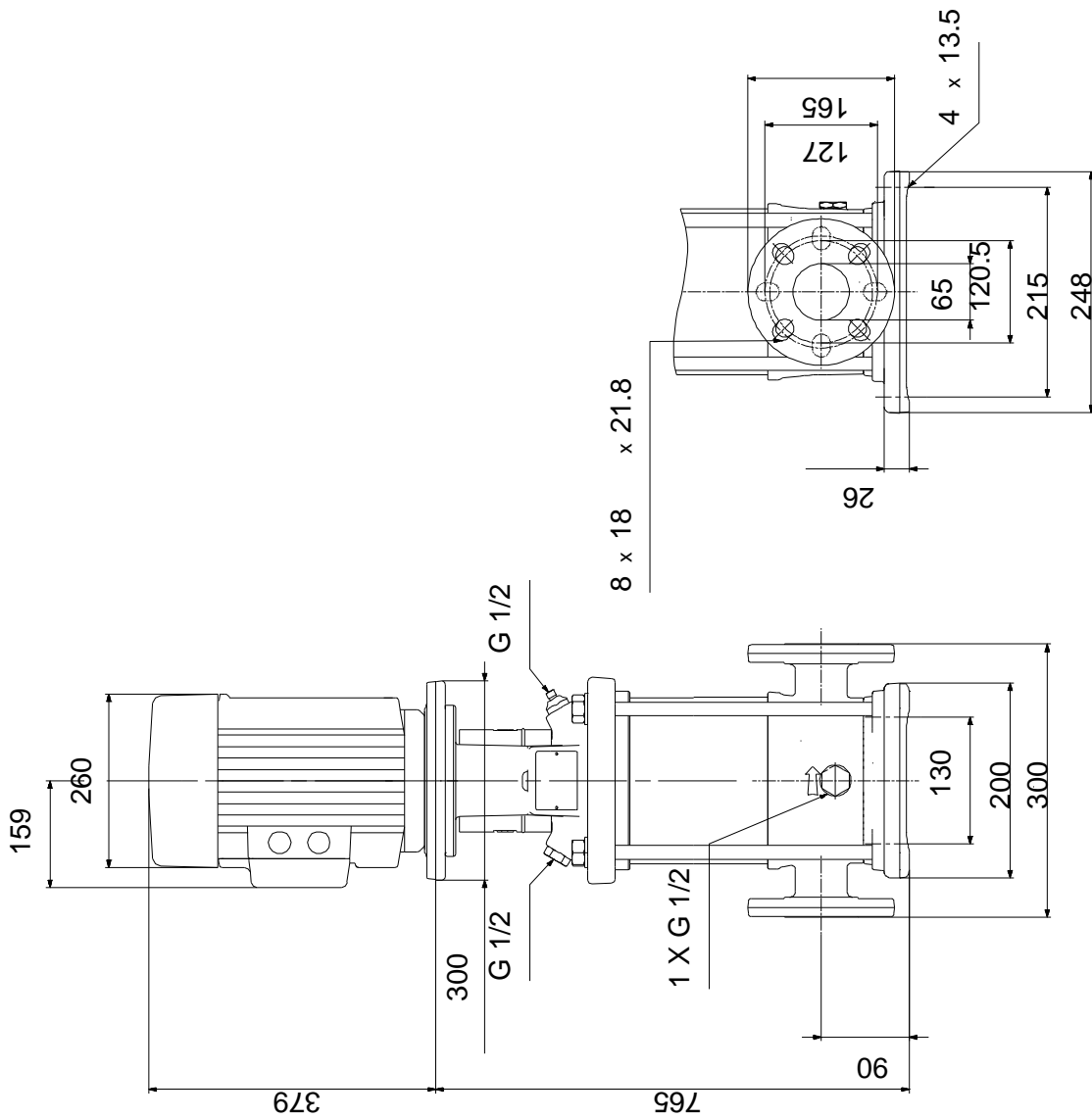
Phone:

Date:

25/09/2019

Description	Value
Rated voltage:	3 x 380-415D/660-690Y V
Rated current:	14,4-14,0/8,30-8,10 A
Starting current:	780-910 %
Cos phi - power factor:	0.88-0.82
Rated speed:	2910-2920 rpm
Efficiency:	IE3 90,1%
Motor efficiency at full load:	90.1-90.4 %
Motor efficiency at 3/4 load:	90.8 %
Motor efficiency at 1/2 load:	90.8 %
Number of poles:	2
Enclosure class (IEC 34-5):	55 Dust/Jetting
Insulation class (IEC 85):	F
Motor protec:	PTC
Motor No:	85U17522
Controls:	
Frequency converter:	NONE
Others:	
Minimum efficiency index, MEI :	0.70
Net weight:	103 kg
Gross weight:	125 kg
Shipping volume:	0.285 m ³
Country of origin:	GB
Custom tariff no.:	84137075

96502008 CRI 15-9 A-FGJ-A-V-HQQV 50 Hz



Note! All units are in [mm] unless others are stated.
Disclaimer: This simplified dimensional drawing does not show all details.

96502008 CRI 15-9 A-FGJ-A-V-HQQV 50 Hz



IEC TP211 THERMALLY PROTECTED WHEN THE THERMISTORS ARE
CONNECTED TO AMPLIFIER RELAY FOR CONTROL OF MAIN SUPPLY
THERMISTORS PTC ACCORDING TO DIN 44082

Note! All units are in [mm] unless others are stated.