


| Qty. | Description |
|------|---|
| 1 | <p data-bbox="199 340 534 362">CRI 15-12 A-FGJ-A-V-HQQV</p> <div data-bbox="359 376 427 631" style="text-align: center;">  </div> <p data-bbox="199 660 470 683">Product No.: 96502010</p> <p data-bbox="199 721 1460 824">Vertical, multistage centrifugal pump with inlet and outlet ports on same the level (inline). Pump materials in contact with the liquid are in stainless steel. A cartridge shaft seal ensures high reliability, safe handling, and easy access and service. Power transmission is via a rigid split coupling. Pipe connection is via combined DIN-ANSI-JIS flanges.</p> <p data-bbox="199 862 933 922">The pump is fitted with a 3-phase, fan-cooled asynchronous motor. The pump is fitted with a 3-phase, fan-cooled asynchronous motor.</p> <p data-bbox="199 952 319 974">Controls:</p> <p data-bbox="199 981 638 1012">Frequency converter: NONE</p> <p data-bbox="199 1041 295 1064">Liquid:</p> <p data-bbox="199 1070 694 1191">Pumped liquid: Water Liquid temperature range: -20 .. 90 °C Selected liquid temperature: 20 °C Density at selected liquid temperature: 998.2 kg/m³</p> <p data-bbox="199 1220 327 1243">Technical:</p> <p data-bbox="199 1249 821 1489">Pump speed on which pump data are based: 2924 rpm Rated flow: 17 m³/h Rated head: 135.6 m Pump orientation: Vertical Shaft seal arrangement: Single Code for shaft seal: HQQV Approvals on nameplate: CE, EAC Curve tolerance: ISO9906:2012 3B</p> <p data-bbox="199 1518 327 1541">Materials:</p> <p data-bbox="199 1547 726 1758">Base: Stainless steel EN 1.4408 AISI 316 Impeller: Stainless steel EN 1.4301 AISI 304 Bearing: SIC</p> <p data-bbox="199 1787 343 1809">Installation:</p> <p data-bbox="199 1816 742 2101">Maximum ambient temperature: 60 °C Maximum operating pressure: 25 bar Max pressure at stated temp: 25 bar / 90 °C 25 bar / -20 °C Type of connection: DIN / ANSI / JIS Size of inlet connection: DN 50 Size of outlet connection: DN 50 Pressure rating for pipe connection: PN 25 Flange rating inlet: 300 lb Flange size for motor: FF300</p> |

| Qty. | Description |
|------|-------------|
|------|-------------|

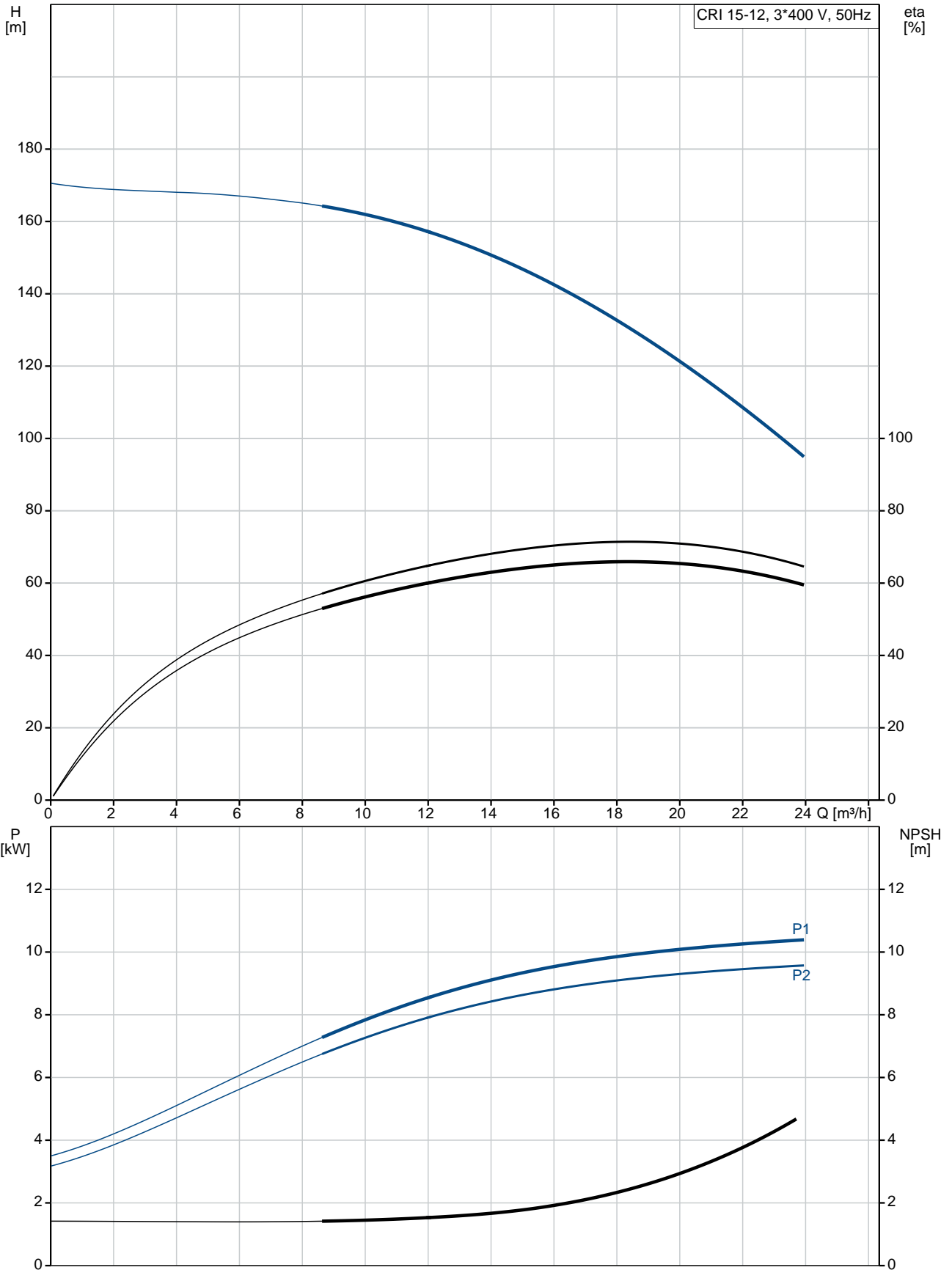
Electrical data:

| | |
|--------------------------------|-------------------------|
| Motor standard: | IEC |
| Motor type: | 160MB |
| IE Efficiency class: | IE3 |
| Rated power - P2: | 11 kW |
| Power (P2) required by pump: | 11 kW |
| Mains frequency: | 50 Hz |
| Rated voltage: | 3 x 380-415D/660-690Y V |
| Rated current: | 20,8-19,8/12,0-11,8 A |
| Starting current: | 660-780 % |
| Cos phi - power factor: | 0.88-0.84 |
| Rated speed: | 2940-2950 rpm |
| Efficiency: | IE3 91,2% |
| Motor efficiency at full load: | 91.2-91.2 % |
| Motor efficiency at 3/4 load: | 91.8 % |
| Motor efficiency at 1/2 load: | 91.3 % |
| Number of poles: | 2 |
| Enclosure class (IEC 34-5): | 55 Dust/Jetting |
| Insulation class (IEC 85): | F |
| Motor No: | 85U17524 |

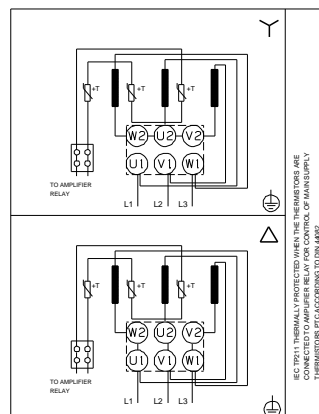
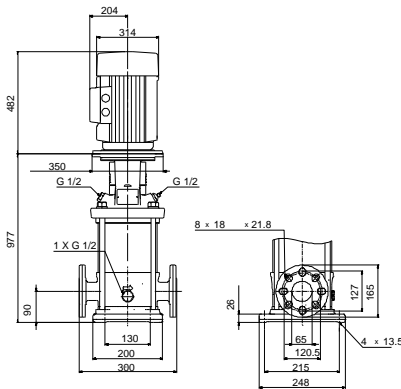
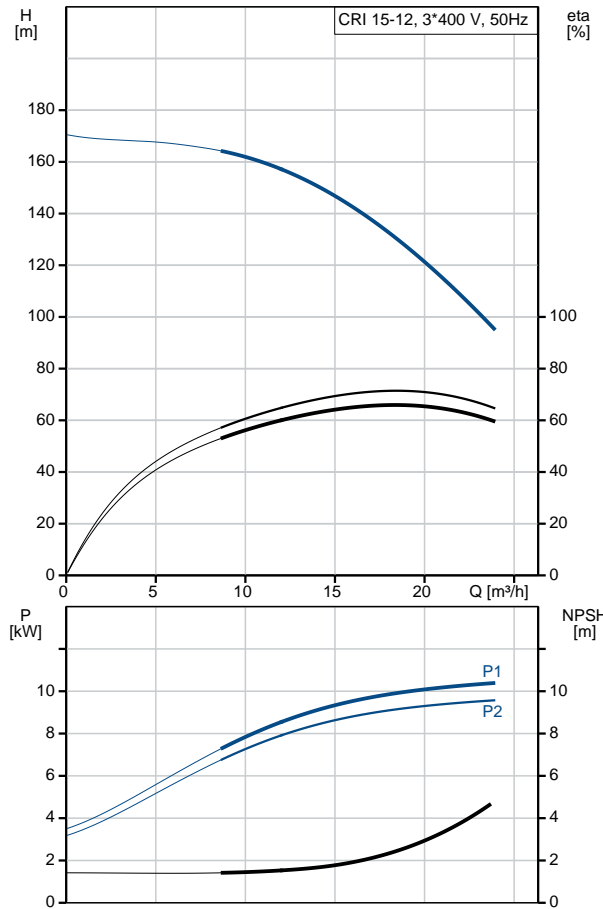
Others:

| | |
|---------------------------------|----------------------|
| Minimum efficiency index, MEI : | 0.70 |
| Net weight: | 150 kg |
| Gross weight: | 178 kg |
| Shipping volume: | 0.488 m ³ |
| Country of origin: | GB |
| Custom tariff no.: | 84137075 |

96502010 CRI 15-12 A-FGJ-A-V-HQQV 50 Hz



| Description | Value |
|--|--|
| General information: | |
| Product name: | CRI 15-12 A-FGJ-A-V-HQQV |
| Product No: | 96502010 |
| EAN number: | 5700396233666 5700396233666 |
| Price: | 4.231,00 GBP |
| Technical: | |
| Pump speed on which pump data are based: | 2924 rpm |
| Rated flow: | 17 m ³ /h |
| Rated head: | 135.6 m |
| Head max: | 169 m |
| Stages: | 12 |
| Impellers: | 12 |
| Number of reduced-diameter impellers: | 0 |
| Low NPSH: | N |
| Pump orientation: | Vertical |
| Shaft seal arrangement: | Single |
| Code for shaft seal: | HQQV |
| Approvals on nameplate: | CE, EAC |
| Curve tolerance: | ISO9906:2012 3B |
| Pump version: | A |
| Model: | A |
| Materials: | |
| Base: | Stainless steel EN 1.4408 AISI 316 |
| Impeller: | Stainless steel EN 1.4301 AISI 304 |
| Material code: | A |
| Code for rubber: | V |
| Bearing: | SIC |
| Installation: | |
| Maximum ambient temperature: | 60 °C |
| Maximum operating pressure: | 25 bar |
| Max pressure at stated temp: | 25 bar / 90 °C 25 bar / -20 °C |
| Type of connection: | DIN / ANSI / JIS |
| Size of inlet connection: | DN 50 |
| Size of outlet connection: | DN 50 |
| Pressure rating for pipe connection: | PN 25 |
| Flange rating inlet: | 300 lb |
| Flange size for motor: | FF300 |
| Connect code: | FGJ |
| Liquid: | |
| Pumped liquid: | Water |
| Liquid temperature range: | -20 .. 90 °C |
| Selected liquid temperature: | 20 °C |
| Density at selected liquid temperature: | 998.2 kg/m ³ |
| Electrical data: | |
| Motor standard: | IEC |
| Motor type: | 160MB |
| IE Efficiency class: | IE3 |
| Rated power - P2: | 11 kW |
| Power (P2) required by pump: | 11 kW |
| Mains frequency: | 50 Hz |





Company name:

Created by:

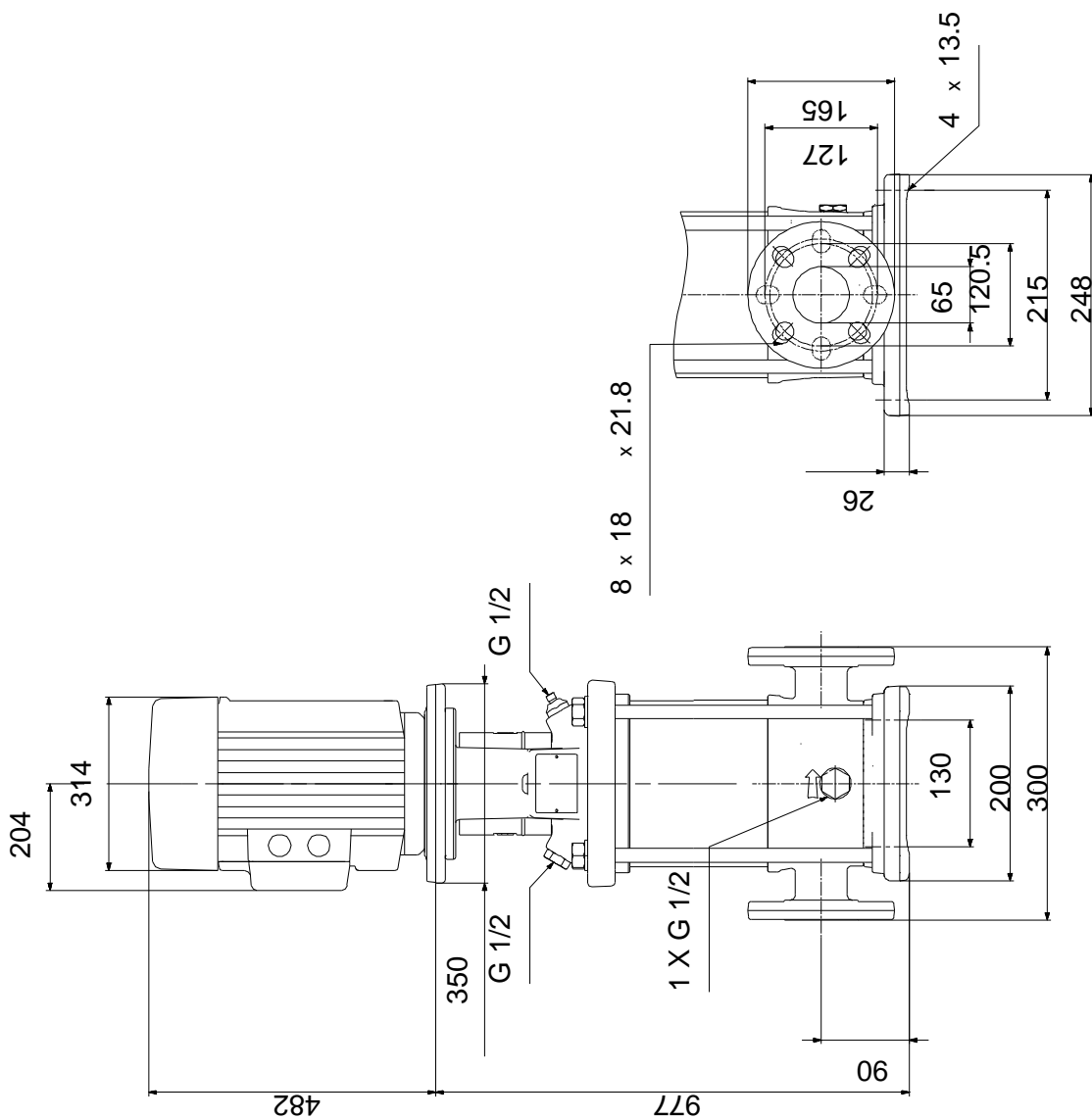
Phone:

Date:

25/09/2019

| Description | Value |
|---------------------------------|----------------------------|
| Rated voltage: | 3 x 380-415D/660-690Y V |
| Rated current: | 20,8-19,8/12,0-11,8 A |
| Starting current: | 660-780 % |
| Cos phi - power factor: | 0.88-0.84 |
| Rated speed: | 2940-2950 rpm |
| Efficiency: | IE3 91,2% |
| Motor efficiency at full load: | 91.2-91.2 % |
| Motor efficiency at 3/4 load: | 91.8 % |
| Motor efficiency at 1/2 load: | 91.3 % |
| Number of poles: | 2 |
| Enclosure class (IEC 34-5): | 55 Dust/Jetting |
| Insulation class (IEC 85): | F |
| Motor protec: | PTC |
| Motor No: | 85U17524 |
| Controls: | |
| Frequency converter: | NONE |
| Others: | |
| Minimum efficiency index, MEI : | 0.70 |
| Net weight: | 150 kg |
| Gross weight: | 178 kg |
| Shipping volume: | 0.488 m ³ |
| Country of origin: | GB |
| Custom tariff no.: | 84137075 |

96502010 CRI 15-12 A-FGJ-A-V-HQQV 50 Hz



Note! All units are in [mm] unless others are stated.
Disclaimer: This simplified dimensional drawing does not show all details.

96502010 CRI 15-12 A-FGJ-A-V-HQQV 50 Hz



IEC TP211 THERMALLY PROTECTED WHEN THE THERMISTORS ARE
CONNECTED TO AMPLIFIER RELAY FOR CONTROL OF MAIN SUPPLY
THERMISTORS PTC ACCORDING TO DIN 44082

Note! All units are in [mm] unless others are stated.