

**Qty. Description**

1 HYDRO MULTI-E 2 CRIE5-12



Note! Product picture may differ from actual product

Product No.: [99133112](#)

GRUNDFOS Hydro Multi-E booster sets are designed for the transfer and pressure boosting of clean water in waterworks, blocks of flats, hotels, industry, hospitals, schools, etc.

GRUNDFOS Hydro Multi-E booster set consists of 2 to 4 CRIE pumps coupled in parallel and mounted on a common base frame provided with all the necessary fittings.

Hydro Multi-E is mounted on a common base frame made of stainless steel (DIN W.-Nr. 1.4301).

On the suction side are fitted a suction manifold (DIN W.-Nr. 1.4401 or DIN W.-Nr. 1.4571), a pressure switch mounted on a drainable valve and an isolating valve. On the discharge side of the pumps are fitted a non-return valve, an isolating valve, a pressure gauge, two pressure transmitters mounted on a drainable valve a diaphragm tank and a stainless steel discharge manifold (DIN W.-Nr. 1.4401 or DIN W.-Nr. 1.4571).

The Hydro Multi-E is fitted with an on/off-switch for the supply voltage.

The Hydro Multi-E is designed for maintaining a constant pressure regardless of flow changes and fluctuation.

The internal PI-controller regulates the number of running pumps and the speed of the pumps according to the required flow.

The system can be operated directly on the panel of any of the pumps or via Grundfos GO (available as accessory)

Besides the system features:

- 2 Digital outputs
- 2 Digital inputs (one used for dry run protection)
- 2 Analogue inputs (one used for discharge pressure sensor)
- Multi-Master functionality
- 2 Limit functions
- Set-point influence function
- Pipe filling function
- High efficient PM motors

Available communication protocols:

- LON
- Profibus
- Modbus
- SMS/GSM/GPRS
- GRM
- BACnet
- BACnet IP
- Modbus TCP
- PROFINET

When delivered, the GRUNDFOS Hydro Multi-E booster set is factory tested and ready for operation.

**Liquid:**

Pumped liquid: Water  
Liquid temperature range: 5 .. 60 °C

Qty.	Description
------	-------------

Selected liquid temperature: 20 °C  
Density at selected liquid temperature: 998.2 kg/m<sup>3</sup>

**Materials:**

Pump housing: Stainless steel

**Installation:**

Maximum operating pressure: 16 bar  
Maximum permissible inlet pressure: PN 16 bar  
Flange standard: DIN ISO 7/1  
Manifold inlet: R 2  
Manifold outlet: R 2

**Electrical data:**

IE Efficiency class: IE5  
Power (P2) main pump: 3 kW  
Mains frequency: 50 Hz  
Rated voltage: 3 x 380-415 V  
Rated current: 11 A  
Start. method: electronically  
Enclosure class (IEC 34-5): IP54

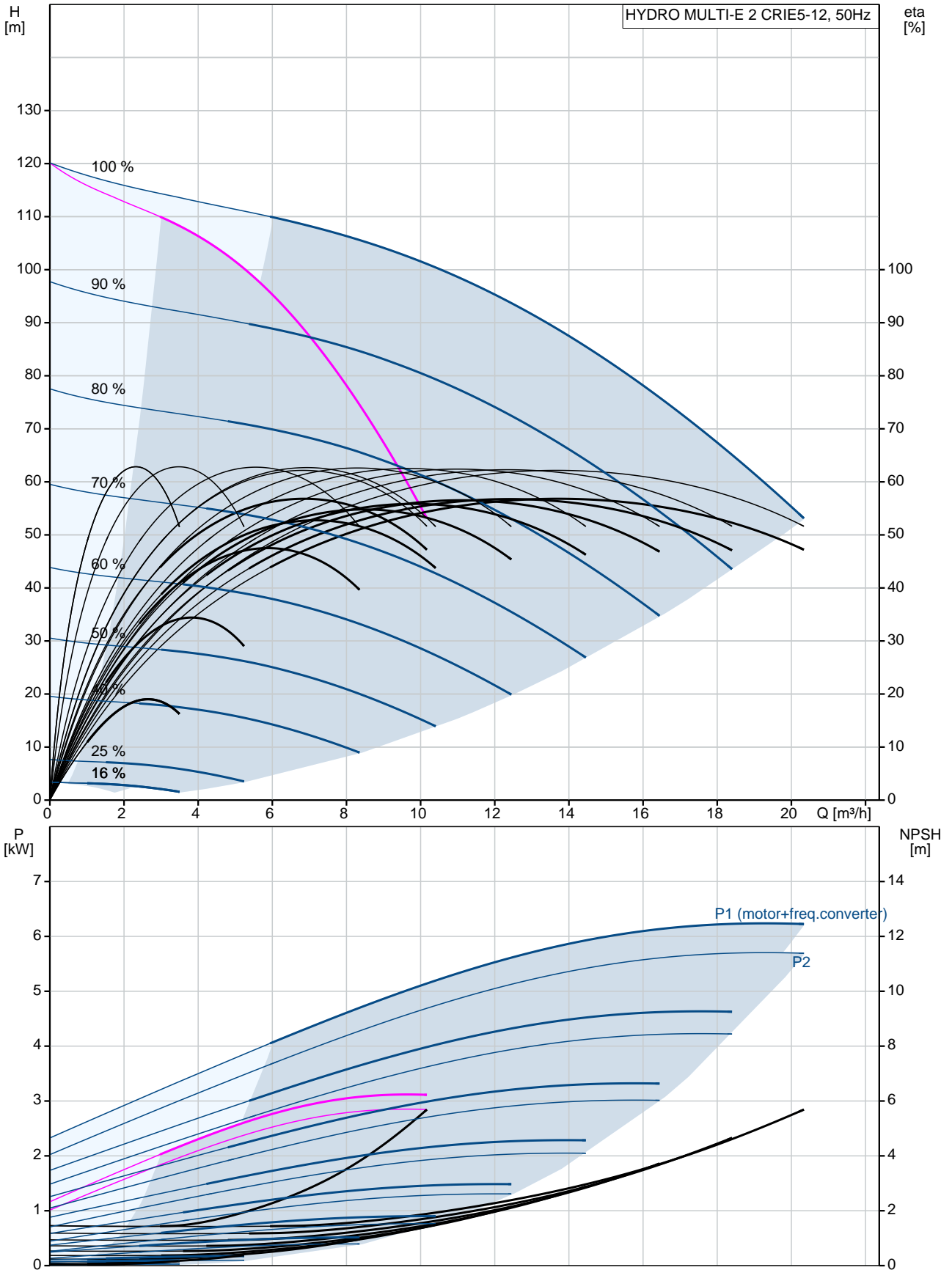
**Tank:**

Volume of pressure tank: 12 l  
Diaphragm tank: Yes

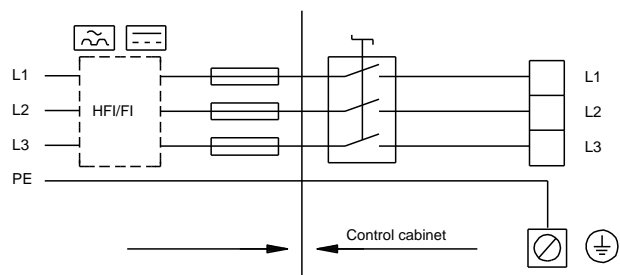
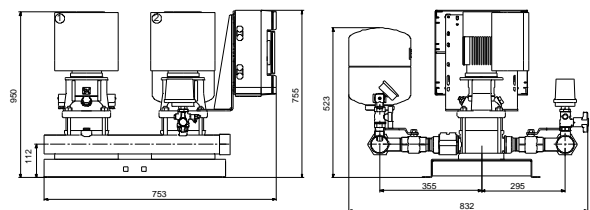
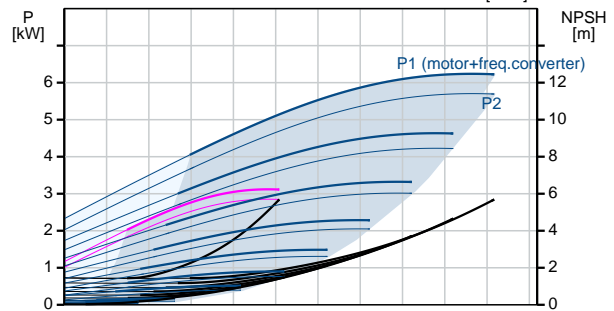
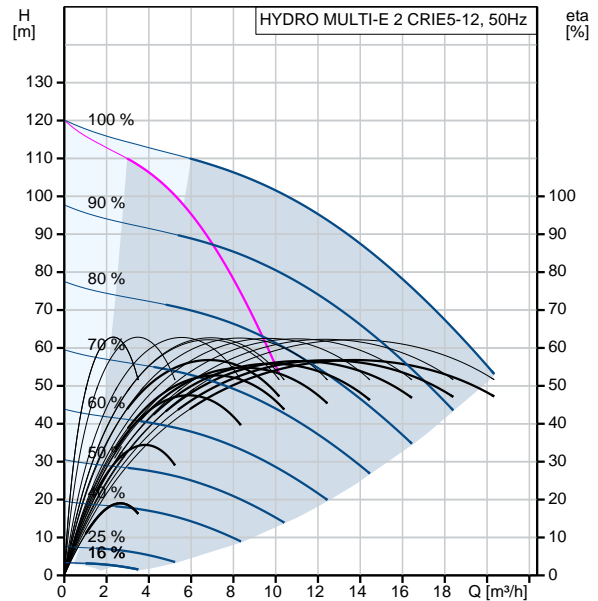
**Others:**

Net weight: 119 kg  
Gross weight: 161 kg  
Shipping volume: 0.599 m<sup>3</sup>  
Language: GB  
Country of origin: GB  
Custom tariff no.: 84137075

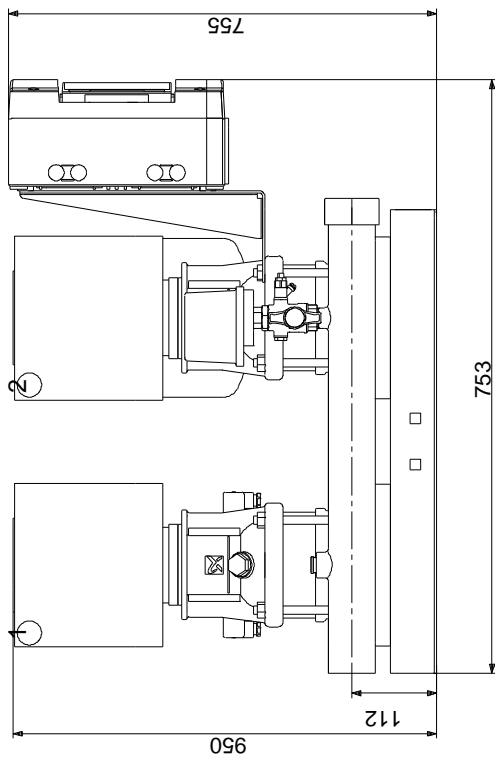
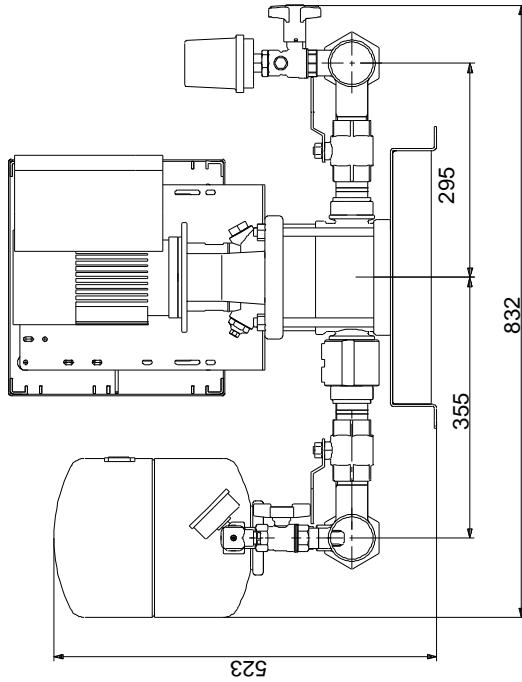
## 99133112 HYDRO MULTI-E 2 CRIE5-12 50 Hz



Description	Value
<b>General information:</b>	
Product name:	HYDRO MULTI-E 2 CRIE5-12
Product No:	99133112
EAN number:	5712607360252
Price:	5712607360252
	9.962,00 GBP
<b>Technical:</b>	
Min flow system:	3 m <sup>3</sup> /h
Max flow:	20 m <sup>3</sup> /h
Head max:	120 m
Pump name:	CRIE5-12
Number of pumps:	2
<b>Materials:</b>	
Pump housing:	Stainless steel
Manifolds:	Stainless steel
<b>Installation:</b>	
Maximum operating pressure:	16 bar
Maximum permissible inlet pressure:	PN 16 bar
Flange standard:	DIN ISO 7/1
Manifold inlet:	R 2
Manifold outlet:	R 2
<b>Liquid:</b>	
Pumped liquid:	Water
Liquid temperature range:	5 .. 60 °C
Selected liquid temperature:	20 °C
Density at selected liquid temperature:	998.2 kg/m <sup>3</sup>
<b>Electrical data:</b>	
IE Efficiency class:	IE5
Power (P2) main pump:	3 kW
Mains frequency:	50 Hz
Rated voltage:	3 x 380-415 V
Rated current:	11 A
Start. method:	electronically
Enclosure class (IEC 34-5):	IP54
<b>Tank:</b>	
Volume of pressure tank:	12 l
Diaphragm tank:	Yes
<b>Others:</b>	
Net weight:	119 kg
Gross weight:	161 kg
Shipping volume:	0.599 m <sup>3</sup>
Language:	GB
Product range:	International
Country of origin:	GB
Custom tariff no.:	84137075

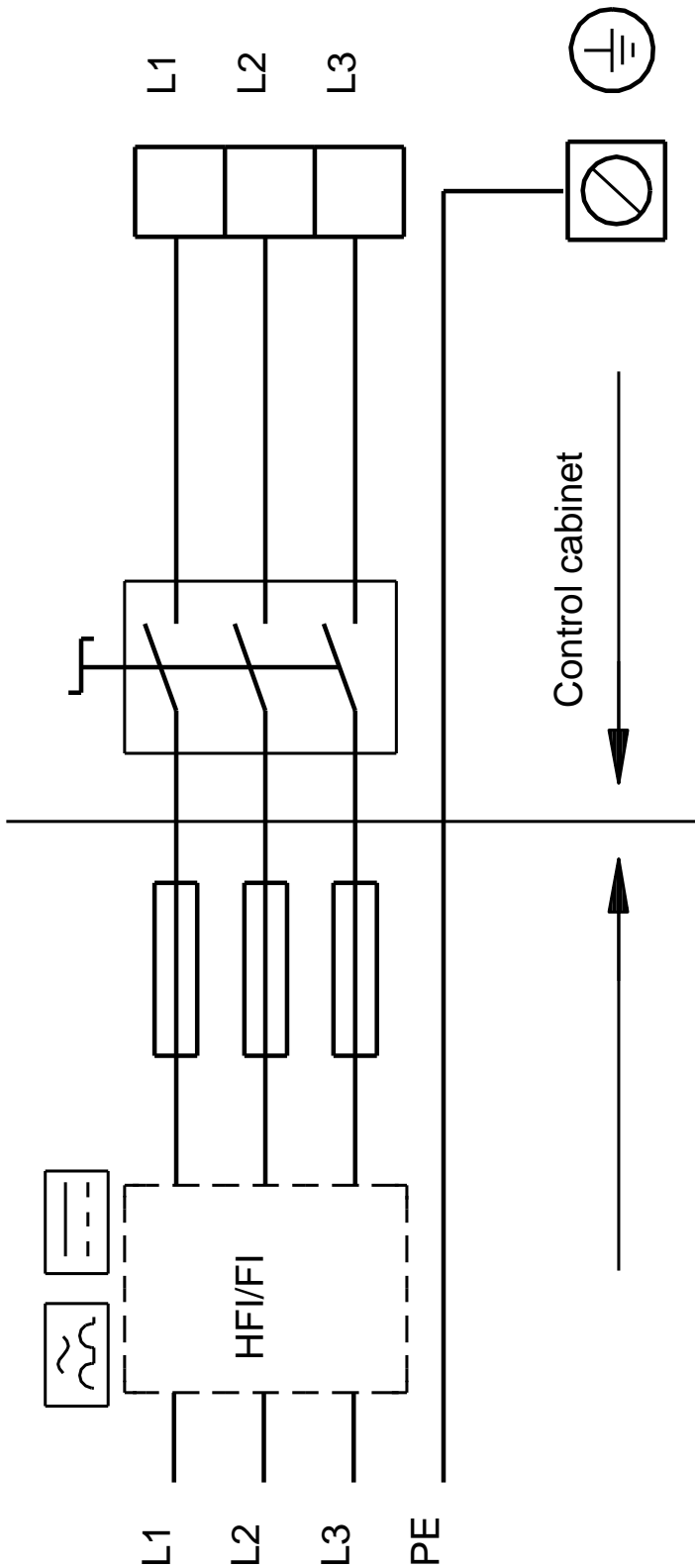


## 99133112 HYDRO MULTI-E 2 CRIE5-12 50 Hz



Note! All units are in [mm] unless others are stated.  
Disclaimer: This simplified dimensional drawing does not show all details.

## 99133112 HYDRO MULTI-E 2 CRIE5-12 50 Hz



Note! All units are in [mm] unless others are stated.