

Qty. Description

1 Unilift KP 350 AV 1



Note! Product picture may differ from actual product

Product No.: On request
Submersible drainage pump

Vertical single-stage stainless steel submersible pump with vertical discharge port and integrated Phase: submersible 1-phase canned motor in insulation class F with thermal overload protection.

The pump is fitted with a suction strainer, a Cable length: carrying handle and is supplied with a 10 m mains cable.

The impeller is a semi-open impeller for 10 mm free passage suitable for pumping groundwater, surface water, rain water and similar liquids.

The pump has a double shaft seal consisting of two lip seals with grease in-between.

The pump has an outer casing ensuring continuous cooling of the motor by the pumped liquid. The rotor shaft operates in two maintenance-free carbon bearings cooled by the pumped liquid

The motor is filled with a non-toxic motor liquid.

Liquid:
Pumped liquid: Any Newtonian liquid
Liquid temperature range: 0 .. 50 °C
Density: 998.2 kg/m³

Technical:
Maximum particle size: 10 mm

Materials:
Pump housing: Stainless steel
DIN W.-Nr. 1.4301

Qty.	Description
------	-------------

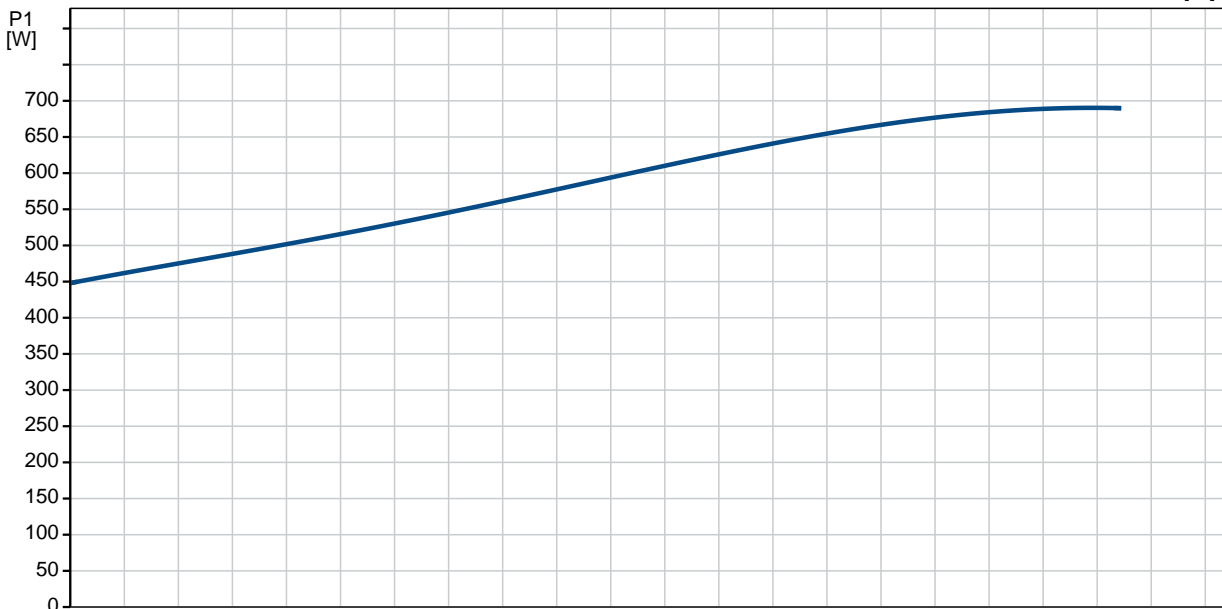
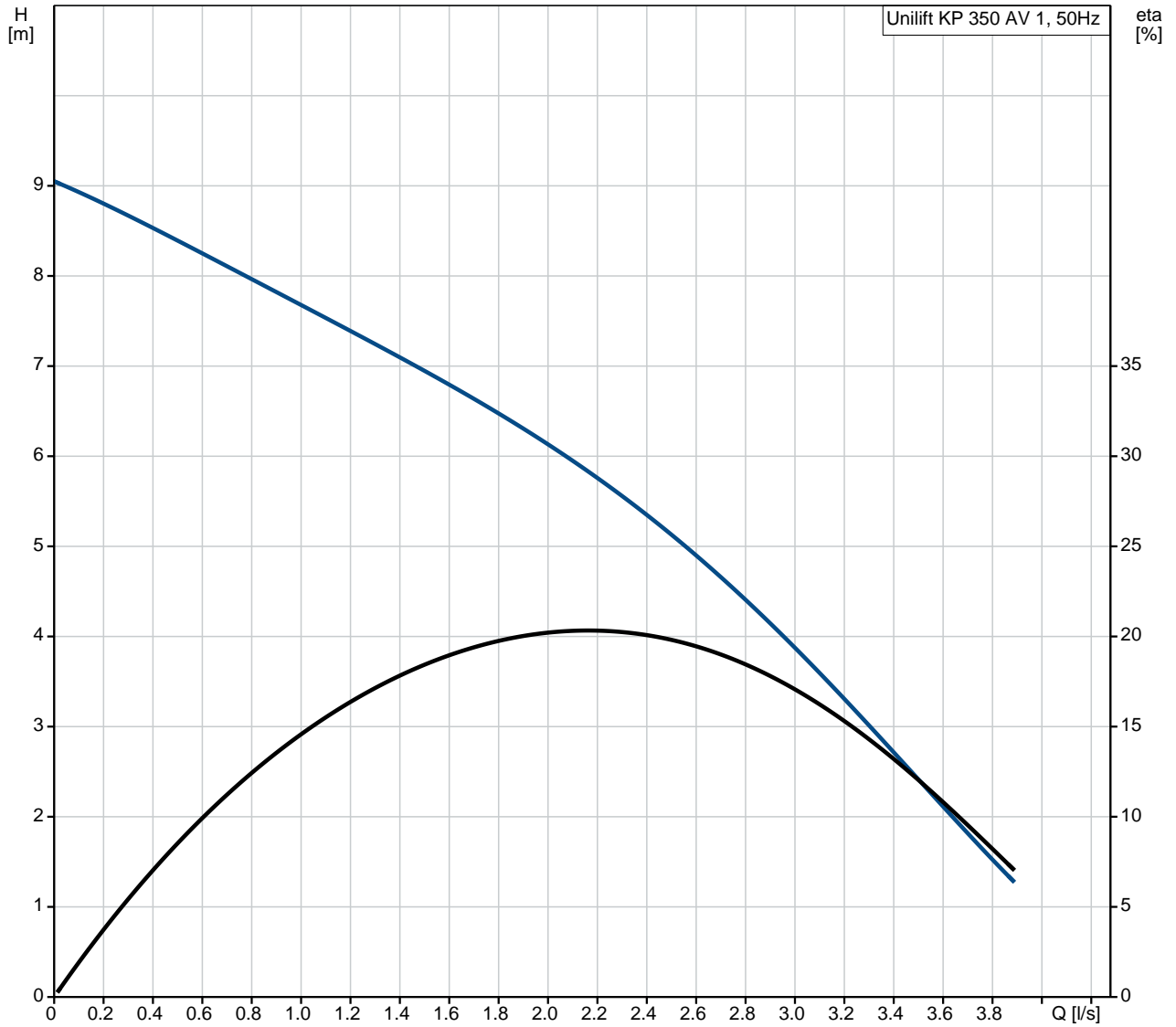
Impeller:	AISI 304 Stainless steel DIN W.-Nr. 1.4031 AISI 304
-----------	--

Installation:	
Pump outlet:	Rp 1 1/4
Maximum installation depth:	7 m

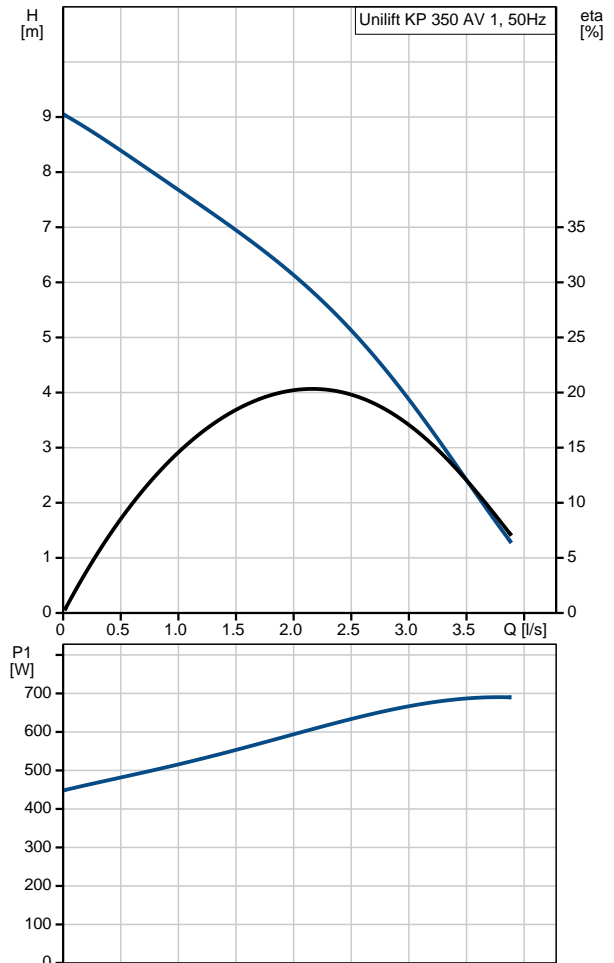
Electrical data:	
Power input - P1:	700 W
Mains frequency:	50 Hz
Rated voltage:	1 x 220-240 V
Rated current:	3.2 A
Capacitor size - run:	10 µF/400 V
Enclosure class (IEC 34-5):	IP68
Insulation class (IEC 85):	F
Length of cable:	10 m
Type of cable plug:	NONE

Others:	
Net weight:	8 kg
Gross weight:	8.3 kg
Shipping volume:	0.013 m ³

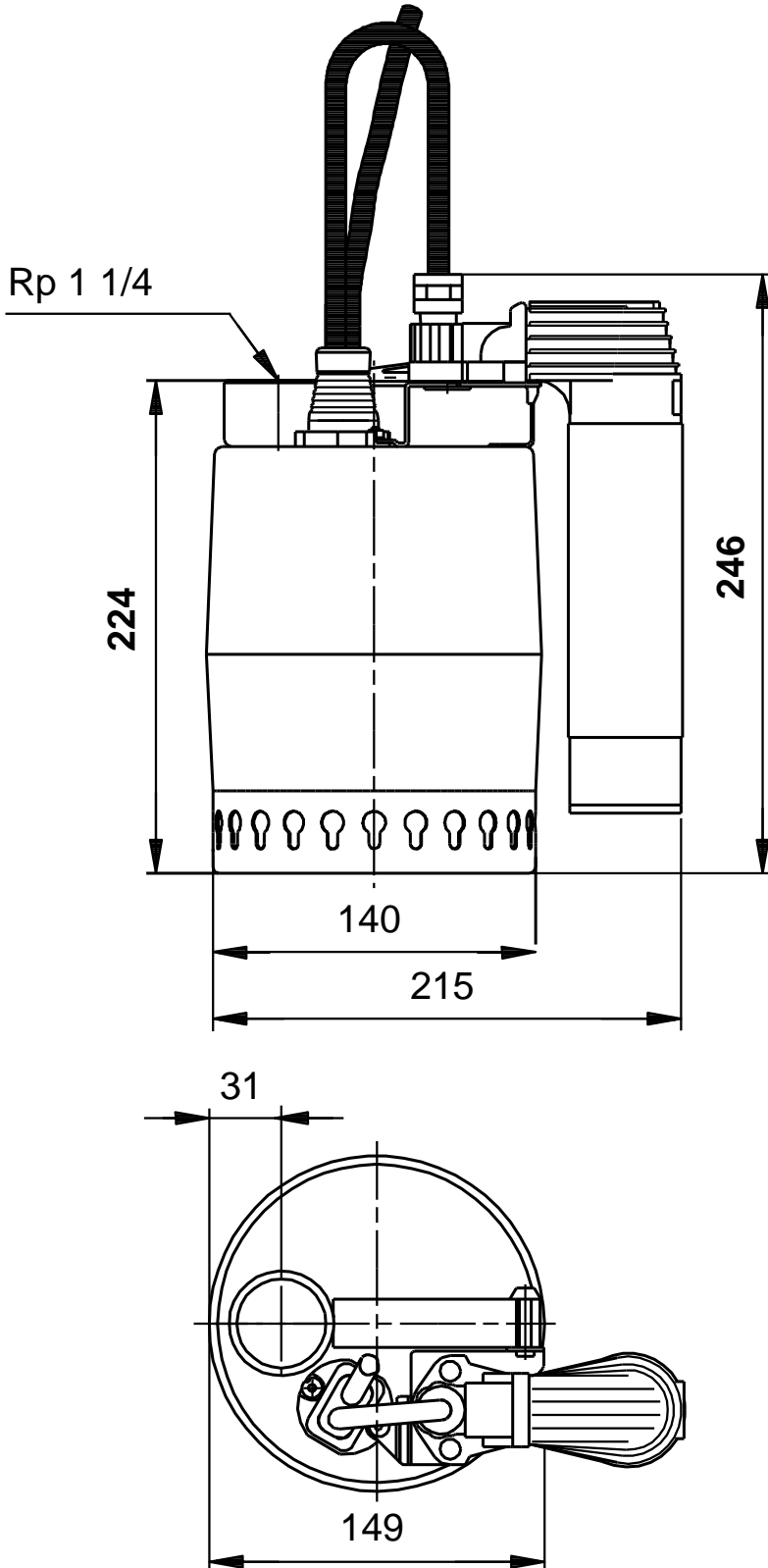
On request Unilift KP 350 AV 1 50 Hz



Description	Value
General information:	
Product name:	Unilift KP 350 AV 1
Product No:	On request
EAN number:	On request
Price:	
Technical:	
Maximum flow:	3.89 l/s
Max flow:	3.89 l/s
Head max:	9 m
Maximum particle size:	10 mm
Model:	A
Materials:	
Pump housing:	Stainless steel
Pump housing:	DIN W.-Nr. 1.4301
Pump housing:	AISI 304
Impeller:	Stainless steel
Impeller:	DIN W.-Nr. 1.4031
Impeller:	AISI 304
Installation:	
Pump outlet:	Rp 1 1/4
Maximum installation depth:	7 m
Liquid:	
Pumped liquid:	Any Newtonian liquid
Liquid temperature range:	0 .. 50 °C
Density:	998.2 kg/m ³
Electrical data:	
Power input - P1:	700 W
Mains frequency:	50 Hz
Rated voltage:	1 x 220-240 V
Rated current:	3.2 A
Capacitor size - run:	10 µF/400 V
Enclosure class (IEC 34-5):	IP68
Insulation class (IEC 85):	F
Motor protec:	CONTACT
Thermal protec:	internal
Length of cable:	10 m
Type of cable plug:	NONE
Controls:	
Level switch:	vertical level switch
Others:	
Net weight:	8 kg
Gross weight:	8.3 kg
Shipping volume:	0.013 m ³



On request Unilift KP 350 AV 1 50 Hz



Note! All units are in [mm] unless others are stated.
Disclaimer: This simplified dimensional drawing does not show all details.

On request Unilift KP 350 AV 1 50 Hz



Note! All units are in [mm] unless others are stated.