

**GENERAL**

MWS features a wind speed sensor and rainfall sensor. MWS-FR features a wind speed sensor, a rainfall sensor, and a freeze sensor for near-freezing conditions.

Each sensor operates independently of the others; therefore, any or all of them may be switching at a given moment. See the enclosed separate product installation instructions for details on each sensor's operation and settings. Use only the "mounting" details contained on this sheet.

**MOUNTING**

The weather station is designed to mount on a post of 2" (50 mm) PVC pipe. However, any combination of pipe and fittings can be used to tailor an installation. The enclosed "reducer" fitting has two purposes:

1. It allows for the use of ½" (12.8 mm) PVC pipe for shorter mounts.
2. It allows for mounting onto a surface (wood post or deck).

**Important:** For the most accurate temperature sensing, rotate the weather station so the thermostat portion points north.

**WIRING TO HUNTER CONTROLLERS**

The Mini-Weather Station connects directly to Hunter controllers. This allows you to easily override the sensor by using the Bypass Sensor option on the controller.

1. Route the wires from the Mini-Weather Station up through the same opening used for valve wiring.
2. Connect both wires to the SEN terminals (Figure 1).

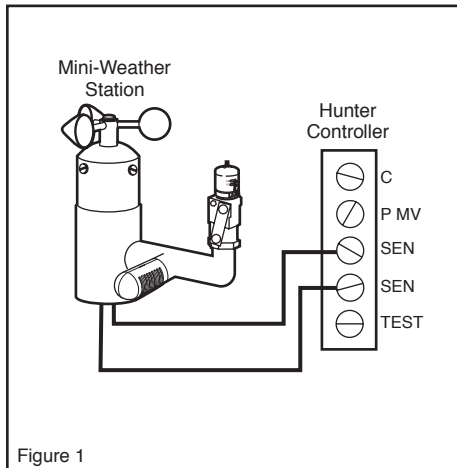


Figure 1

**OTHER 24 VAC CONTROLLERS**

All three sensors are electrically connected in series, so only two wires need to be used to connect to the irrigation controller. Use the red and blue wires to hook up to normally closed controllers (Figure 2). Follow the wiring instructions in any of the separate sensor manuals, or place the two wires on the controller's "sensor input" screw terminals if available (Figure 3).

If the extension needed is:	25-50' / 8-15 m	50-100' / 15-30 m	100'-200'+ / 30-60 m
Use:	20 AWG / 0.8 mm	18 AWG / 1 mm	16 AWG / 1.3 mm

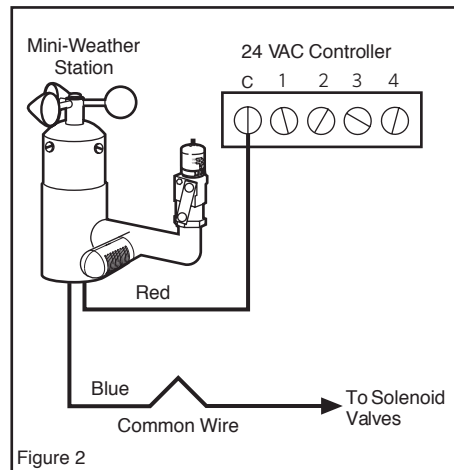


Figure 2

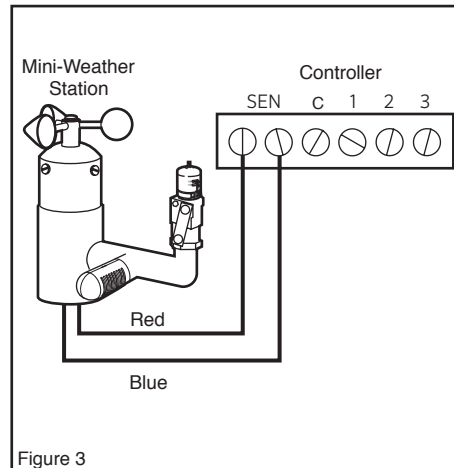


Figure 3

