

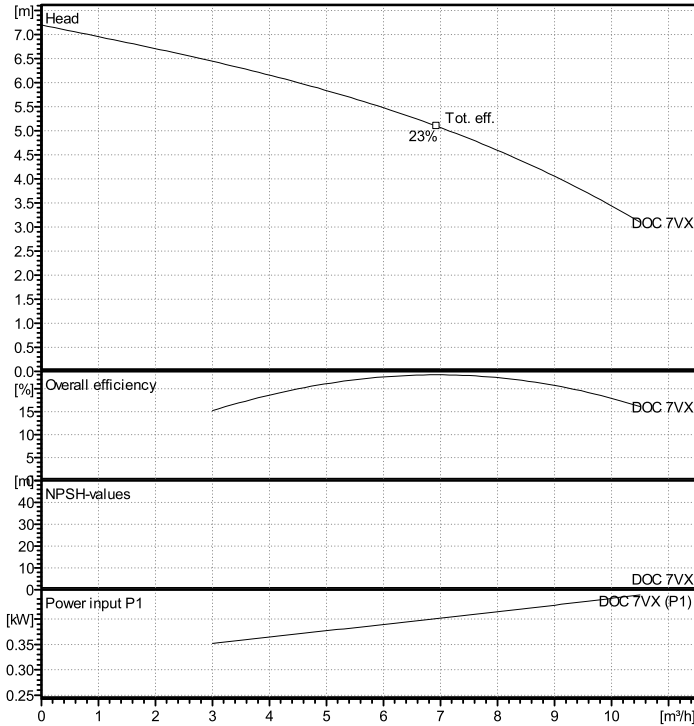
DOC 7VX

Company	Customer	Date	1/5/2021
Contact	Contact	List price	Price on req.
Project	Phone number	Family code	
Project no.	Email	Item no.	107540030

Performance according to ISO 9906:2012 – Grade 3B

Power data referred to:

Water, pure [100%] ; 4°C; 1000kg/m³; 1.57mm²/s



Operating Data Specification

Flow	0 m³/h
Head	0 m

Hydraulic data (duty point)

Flow	
Head	
Power input	

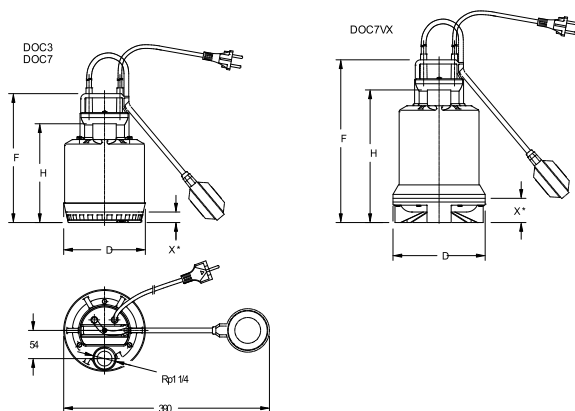
Pump data

Make	Lowara
Type	DOC 7VX Submersible sump pump
Speed	2900
Head H(Q=0)	7.2 m
Suction side	
Discharge side	
Types of installation	Submersible pump
Weight	6 kg

Materials / seals

Pump body	PPO resin + 20 % GF
Suction strainer	PPO resin + 20 % GF
Impeller	PA 66 + 30 % GF
External case	Stainless steel

Shaft Seal



Motor data

Rated power P2	0.55 kW	Nom. Speed	2790 rpm
Frequency	50	Phase	1~
Rated voltage	230 V	Rated current	2.96 A
Protection class	IP X8	Insulation class	B
Permitted voltage tolerance +/- 10%			

Dimensions mm

D	175		
F	310		
H	252		
X	45		

Note: