

Customer	Date	1/5/2021
Contact	Project	
Phone number	Project no.	
Email		

## 3SV02F003M

1016L2231

### Operating data

Pump type	Single head pump	Fluid	Water
No. of pumps / Reserve	1 / 0	Operating temperature t A	°C 4
Nominal flow	m <sup>3</sup> /h 0	pH-value at t A	7
Nominal head	m 0	Density at t A	kg/m <sup>3</sup> 1000
Static head	m 0	Kin. viscosity at t A	mm <sup>2</sup> /s 1.569
Inlet pressure	kPa 0	Vapor pressure at t A	kPa 100
Environmental temperature	°C 20	Solids	0
Available system NPSH	m 0	Altitude	m 0

### Pump data

Make	Lowara	Nominal	m <sup>3</sup> /h ( )
Speed	rpm 2900	Flow Max-	m <sup>3</sup> /h 4.4
Number of stages	2	Min-	m <sup>3</sup> /h
Max. casing pressure	kPa	Nominal	m
Max. working pressure	kPa 145.9	Head at Qmax	m 6.4
Head H(Q=0)	m 15	at Qmin	m 14.9
Weight	kg 13	Shaft power	kW ( )
	Max. mm 79	Max. shaft power	kW .2
Impeller R designed	mm 79	Efficiency	%
	Min. mm 79	NPSH 3%	m

### Pump Materials

Pump body	Stainless steel / AISI 304
Impeller	Stainless steel / AISI 304
Diffuser	Stainless steel / AISI 304
Outer sleeve	Stainless steel / AISI 304
Shaft	Stainless steel / AISI 304
Adapter	Cast iron
Base	Aluminium
Coupling	Aluminium
SEAL HOUSING	Stainless steel / AISI 304
Coupling protection	Stainless steel / AISI 304
Shaft sleeve and bushing	Tungsten carbide
Fill / drain plugs	Stainless steel / AISI 304
Tie rods	Galvanized steel
Wear Ring	Technopolymer PPS

### Shaft Seal

e-SV Mechanical seal	Roten
e-SV - Uniten (-30 / +120 °C)	
1 - Rotating part	Silicon Carbide
2 - Stationary part	Resin impregnated carbon
3 - Elastomers	EPDM
4 - Springs	AISI 316
5 - Other components	AISI 316

### Motor data

Manufacturer	Lowara	Electric voltage	230 V	Speed	2745 rpm	Insulation class	155 (F)
Specific design	Single phase surface motor (e-SV)			Frame size	71R	Colour	RAL 5010
Type	SM71RB14/104 (220-240V)						
Rated power	0.37 kW	Degree of protection IP55					
Electric current	2.85 A						

### Remarks:

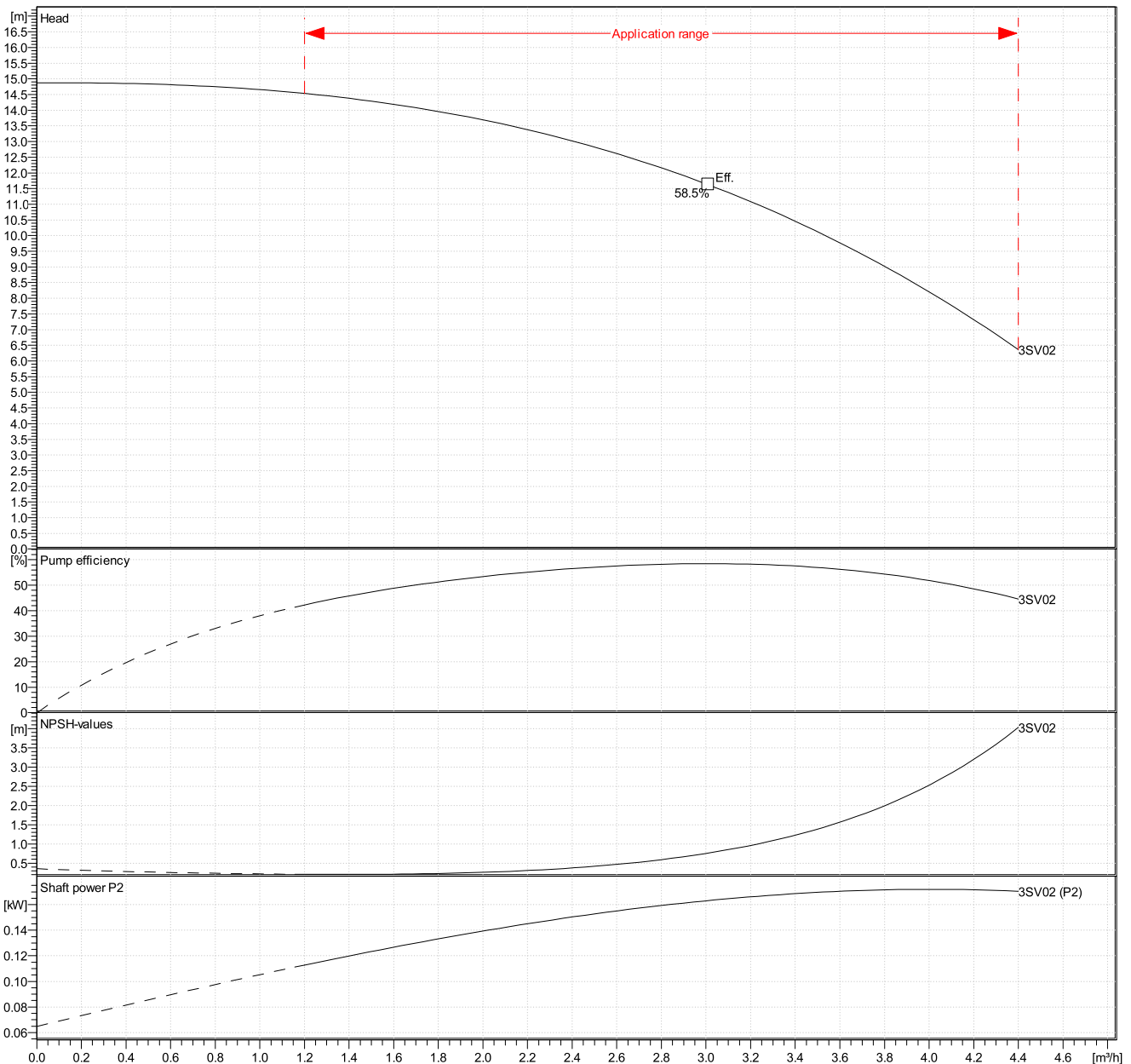
Customer	Date	1/5/2021
Contact	Project	
Phone number	Project no.	
Email		

**3SV02F003M**  
**1016L2231**

**Hydraulic data**

Operating Data Specification		Hydraulic data (duty point)		Impeller design	
Flow	0 m <sup>3</sup> /h	Flow		Impeller R	79 mm
Head	0 m	Head		Frequency	50 Hz
Static head	0 m	MEI >=0,7		Speed	2900 rpm

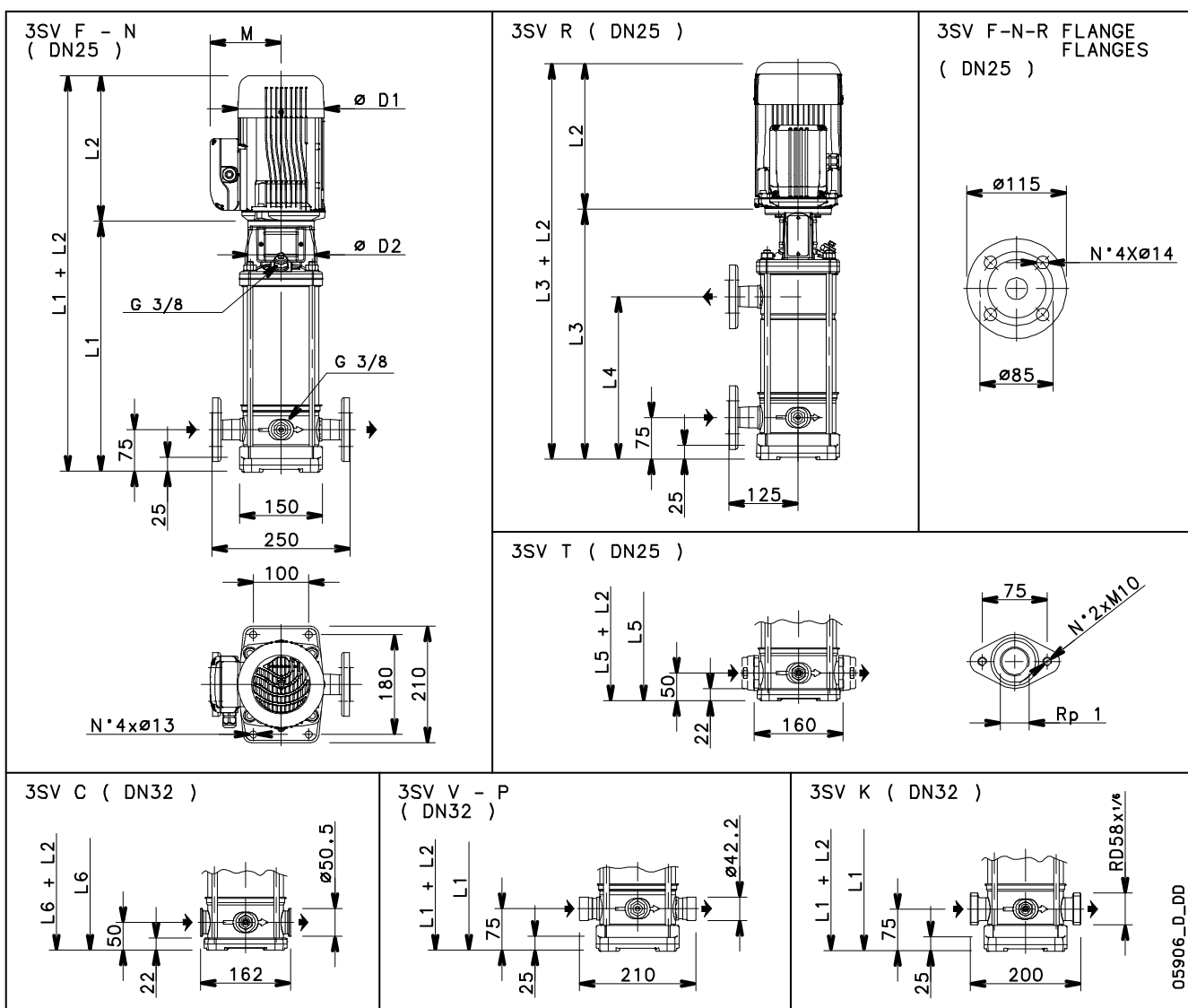
Power datas referred to:  
Water [100%] ; 4°C; 1000kg/m<sup>3</sup>; 1.57mm<sup>2</sup>/s  
Performance according to ISO 9906:2012 – Grade 3B



Customer	Date	1/5/2021
Contact	Project	
Phone number	Project no.	
Email		

**3SV02F003M**  
1016L2231

**Drawing**



**Dimensions mm**

D1	120					Weight 12.8 kg
D2	105					
L1	278					
L2	209					
L5	253					
L6	253					
M	111					

05906\_D\_DD