

Customer	Date	1/5/2021
Contact	Project	
Phone number	Project no.	
Email		

5SV03F005M

1016L2521

Operating data

Pump type	Single head pump	Fluid	Water
No. of pumps / Reserve	1 / 0	Operating temperature t A	°C 4
Nominal flow	m ³ /h 0	pH-value at t A	7
Nominal head	m 0	Density at t A	kg/m ³ 1000
Static head	m 0	Kin. viscosity at t A	mm ² /s 1.569
Inlet pressure	kPa 0	Vapor pressure at t A	kPa 100
Environmental temperature	°C 20	Solids	0
Available system NPSH	m 0	Altitude	m 0

Pump data

Make	Lowara	Nominal	m ³ /h ()
Speed	rpm 2900	Flow	Max- m ³ /h 8.5
Number of stages	3		Min- m ³ /h
Max. casing pressure	kPa	Nominal	m
Max. working pressure	kPa 223.6	Head	at Qmax m 10.1
Head H(Q=0)	m 23		at Qmin m 22.8
Weight	kg 16	Shaft power	kW ()
	Max. mm 76	Max. shaft power	kW .4
Impeller R	designed mm 76	Efficiency	%
	Min. mm 76	NPSH 3%	m

Pump Materials

Pump body	Stainless steel / AISI 304
Impeller	Stainless steel / AISI 304
Diffuser	Stainless steel / AISI 304
Outer sleeve	Stainless steel / AISI 304
Shaft	Stainless steel / AISI 304
Adapter	Cast iron
Base	Aluminium
Coupling	Aluminium
SEAL HOUSING	Stainless steel / AISI 304
Coupling protection	Stainless steel / AISI 304
Shaft sleeve and bushing	Tungsten carbide
Fill / drain plugs	Stainless steel / AISI 304
Tie rods	Galvanized steel
Wear Ring	Technopolymer PPS

Shaft Seal

e-SV Mechanical seal	Roten
e-SV - Uniten (-30 / +120 °C)	
1 - Rotating part	Silicon Carbide
2 - Stationary part	Resin impregnated carbon
3 - Elastomers	EPDM
4 - Springs	AISI 316
5 - Other components	AISI 316

Motor data

Manufacturer	Lowara	Electric voltage	230 V	Speed	2820 rpm	Insulation class	155 (F)
Specific design	Single phase surface motor (e-SV)			Frame size	71	Colour	RAL 5010
Type	SM71B14/105 (220-240V)						
Rated power	0.55 kW	Degree of protection IP55					
Electric current	3.99 A						

Remarks:

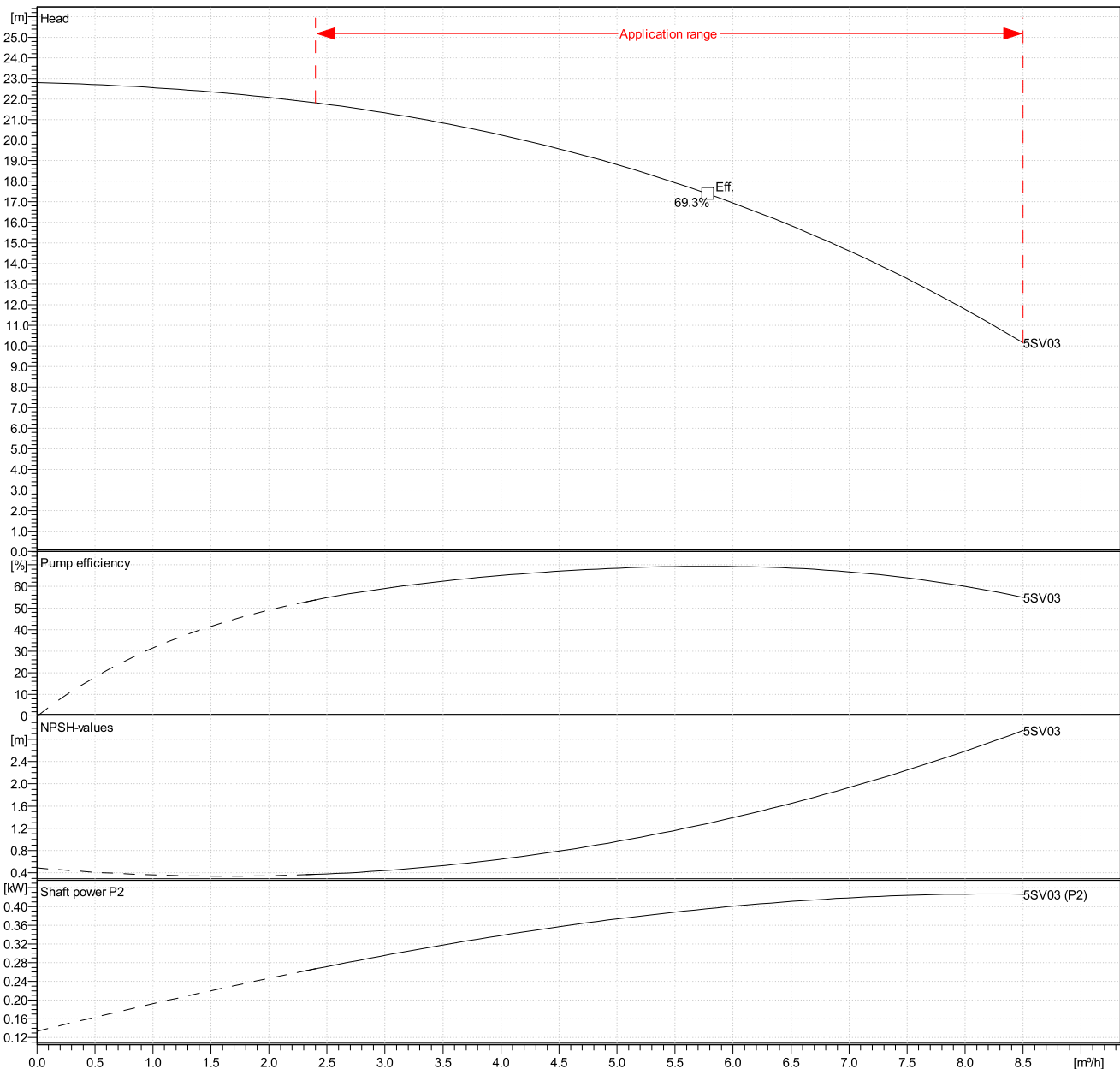
Customer	Date	1/5/2021
Contact	Project	
Phone number	Project no.	
Email		

5SV03F005M
1016L2521

Hydraulic data

Operating Data Specification		Hydraulic data (duty point)		Impeller design	
Flow	0 m ³ /h	Flow		Impeller R	76 mm
Head	0 m	Head		Frequency	50 Hz
Static head	0 m	MEI >=0,7		Speed	2900 rpm

Power data referred to:
Water [100%] ; 4°C; 1000kg/m³; 1.57mm²/s
Performance according to ISO 9906:2012 – Grade 3B

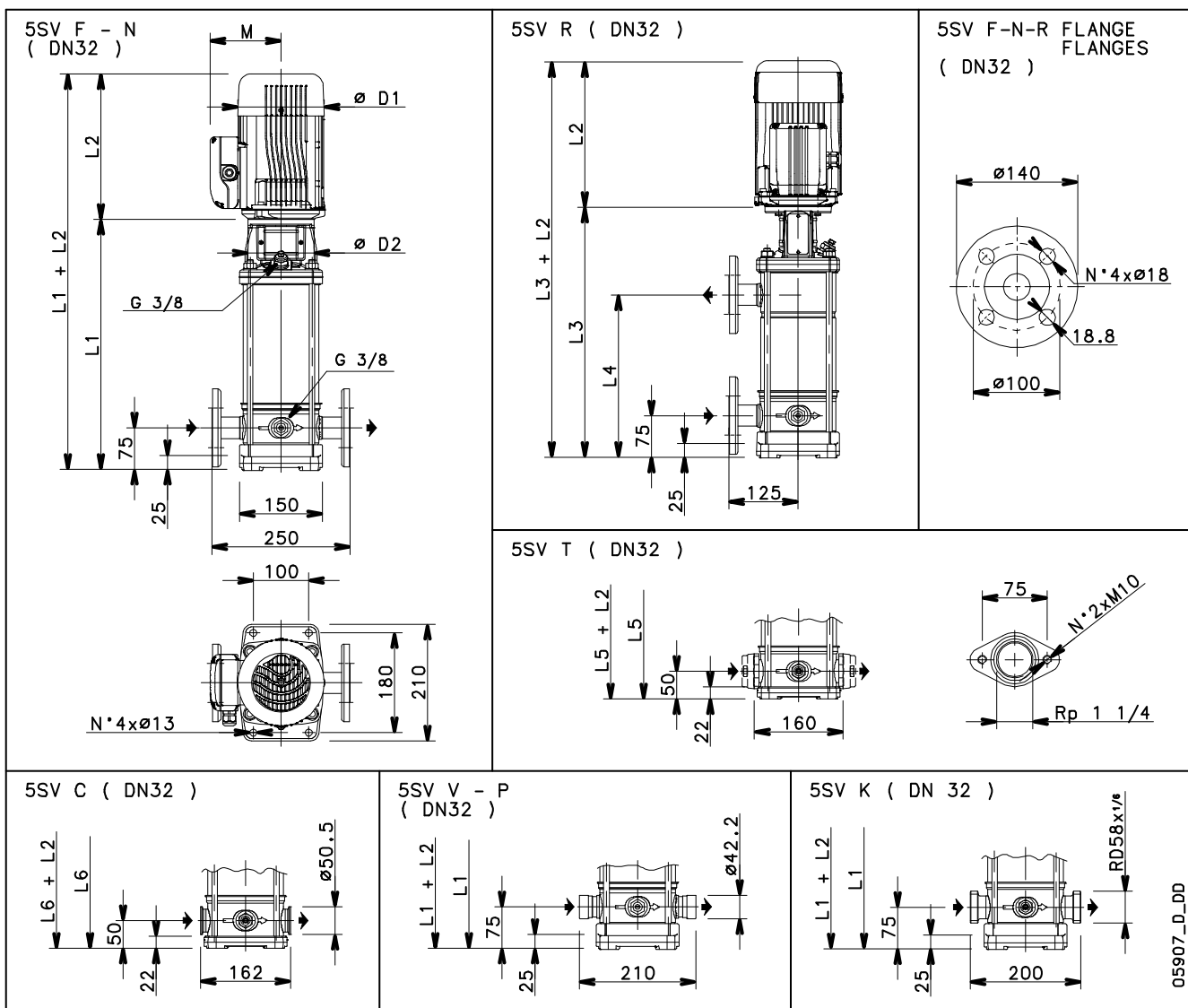


Customer	Date	1/5/2021
Contact	Project	
Phone number	Project no.	
Email		

5SV03F005M

1016L2521

Drawing



Dimensions mm

D1	140					Weight 15.7 kg
D2	105					
L1	293					
L2	231					
L5	268					
L6	268					
M	121					

05907_D_DD