

Customer	Date	1/6/2021
Contact	Project	
Phone number	Project no.	
Email		

## 5SV15F022T

## 1016LC921

### Operating data

Pump type	Single head pump	Fluid	Water
No. of pumps / Reserve	1 / 0	Operating temperature t A	°C 4
Nominal flow	m <sup>3</sup> /h 0	pH-value at t A	7
Nominal head	m 0	Density at t A	kg/m <sup>3</sup> 1000
Static head	m 0	Kin. viscosity at t A	mm <sup>2</sup> /s 1.569
Inlet pressure	kPa 0	Vapor pressure at t A	kPa 100
Environmental temperature	°C 20	Solids	0
Available system NPSH	m 0	Altitude	m 0

### Pump data

Make	Lowara	Nominal	m <sup>3</sup> /h ( )
Speed	rpm 2900	Flow	Max- m <sup>3</sup> /h 8.5
Number of stages	15		Min- m <sup>3</sup> /h
Max. casing pressure	kPa	Nominal	m
Max. working pressure	kPa 1109.5	Head	at Qmax m 48.4
Head H(Q=0)	m 110		at Qmin m 113.1
Weight	kg 34	Shaft power	kW ( )
	Max. mm 76	Max. shaft power	kW 2.1
Impeller R	designed mm 76	Efficiency	%
	Min. mm 76	NPSH 3%	m

### Pump Materials

Pump body	Stainless steel / AISI 304
Impeller	Stainless steel / AISI 304
Diffuser	Stainless steel / AISI 304
Outer sleeve	Stainless steel / AISI 304
Shaft	Stainless steel / AISI 304
Adapter	Cast iron
Base	Aluminium
Coupling	Aluminium
SEAL HOUSING	Stainless steel / AISI 304
Coupling protection	Stainless steel / AISI 304
Shaft sleeve and bushing	Tungsten carbide
Fill / drain plugs	Stainless steel / AISI 304
Tie rods	Galvanized steel
Wear Ring	Technopolymer PPS

### Shaft Seal

e-SV Mechanical seal	Roten
e-SV - Uniten (-30 / +120 °C)	
1 - Rotating part	Silicon Carbide
2 - Stationary part	Resin impregnated carbon
3 - Elastomers	EPDM
4 - Springs	AISI 316
5 - Other components	AISI 316

### Motor data

Manufacturer	Lowara	Electric voltage	220 V	Speed	2900 rpm	Insulation class	155 (F)
Specific design	IE3 Three phase surface motor (e-SV)	Frame size	90	Colour			RAL 5010
Type	PLM90B14/322 E3 (220-240/380-415V)						
Rated power	2.2 kW	Degree of protection	IP55				
Electric current	7.97 A						

### Remarks:

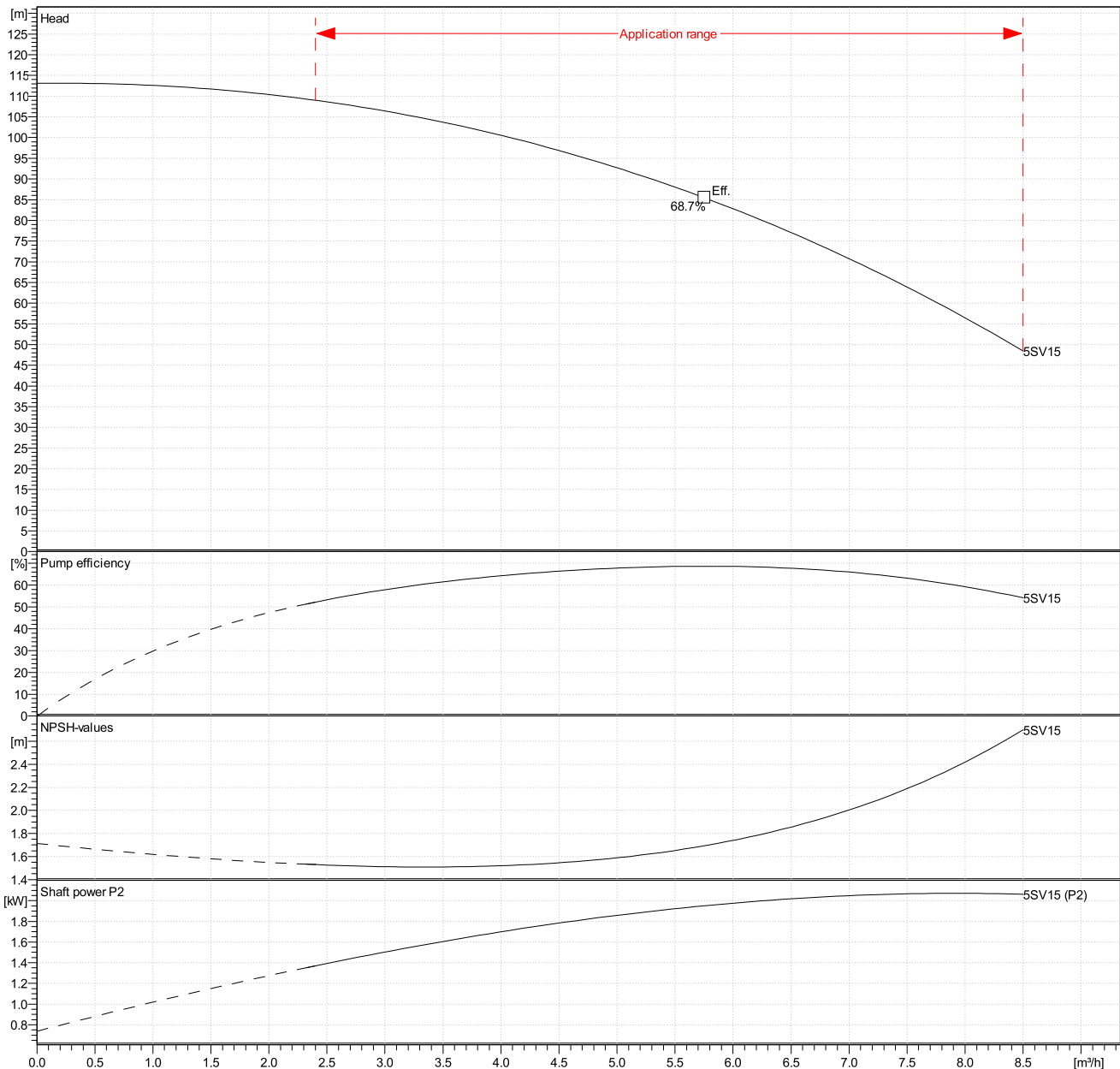
Customer	Date	1/6/2021
Contact	Project	
Phone number	Project no.	
Email		

## 5SV15F022T 1016LC921

### Hydraulic data

Operating Data Specification		Hydraulic data (duty point)		Impeller design	
Flow	0 m <sup>3</sup> /h	Flow		Impeller R	76 mm
Head	0 m	Head		Frequency	50 Hz
Static head	0 m	MEI >=0,7		Speed	2900 rpm

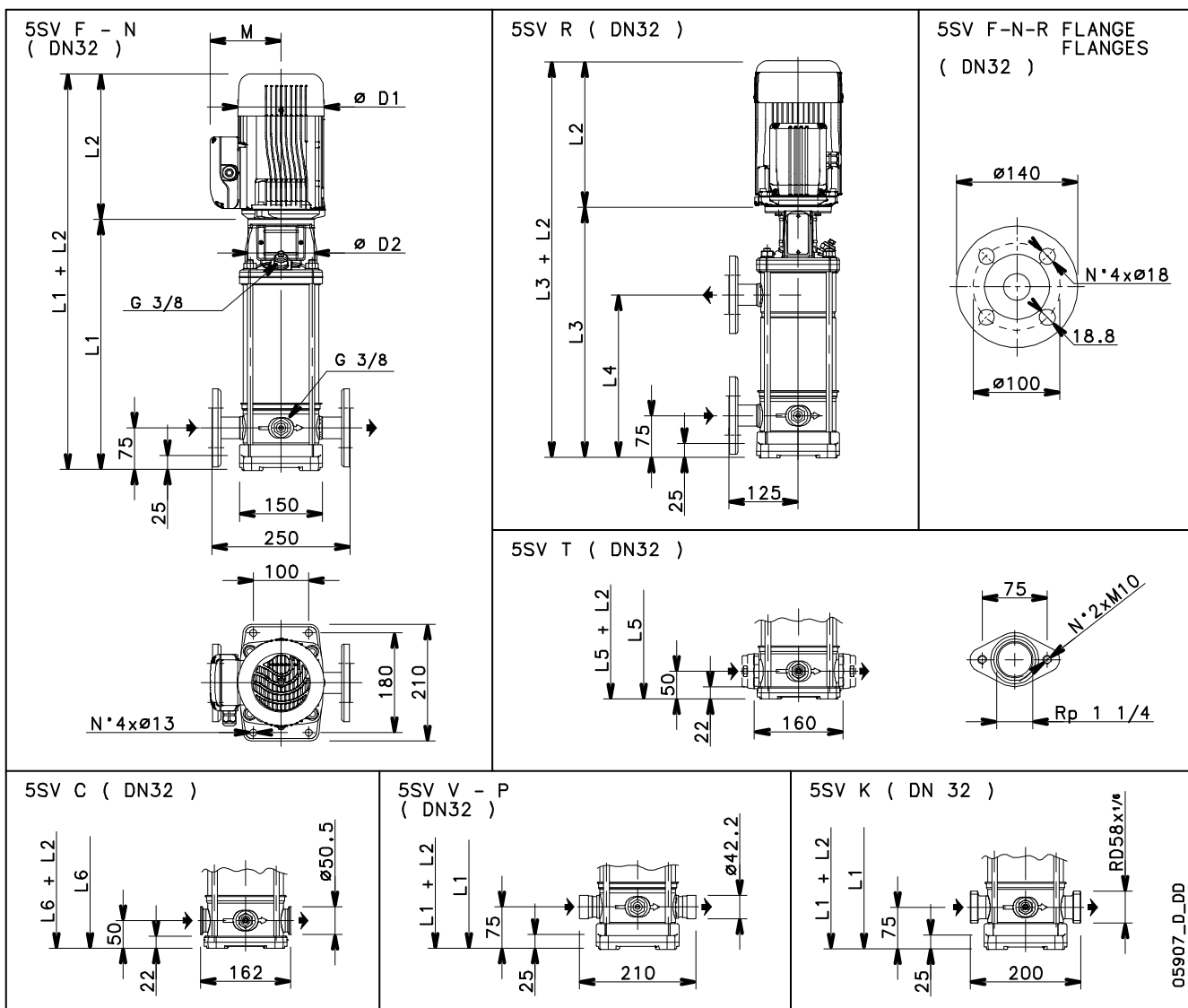
**Power datas referred to:**  
**Water [100%] ; 4°C; 1000kg/m<sup>3</sup>; 1.57mm<sup>2</sup>/s**  
 Performance according to ISO 9906:2012 – Grade 3B



Customer	Date	1/6/2021
Contact	Project	
Phone number	Project no.	
Email		

**5SV15F022T**  
**1016LC921**

**Drawing**



**Dimensions mm**

D1	174					Weight 33.7 kg
D2	140					
L1	613					
L2	298					
L3	613					
L4	442					
L5	588					
L6	588					
M	134					

05907\_D\_DD