

Customer	Date	1/6/2021
Contact	Project	
Phone number	Project no.	
Email		

1HM12S05M5HVBE

104605311

Operating data

Pump type	Single head pump	Fluid	Water
No. of pumps / Reserve	1 / 0	Operating temperature t A	°C 4
Nominal flow	m ³ /h 0	pH-value at t A	7
Nominal head	m 0	Density at t A	kg/m ³ 1000
Static head	m 0	Kin. viscosity at t A	mm ² /s 1.569
Inlet pressure	kPa 0	Vapor pressure at t A	kPa 100
Environmental temperature	°C 20	Solids	0
Available system NPSH	m 0	Altitude	m 0

Pump data

Make	Lowara	Nominal	m ³ /h ()
Speed	rpm 2900	Flow	Max- m ³ /h 2.4
Number of stages	12		Min- m ³ /h
Max. casing pressure	kPa	Nominal	m
Max. working pressure	kPa 694.1	Head	at Qmax m 30.8
Head H(Q=0)	m 71		at Qmin m 70.8
Weight	kg 12	Shaft power	kW ()
	Max. mm 73	Max. shaft power	kW .5
Impeller R	designed mm 73	Efficiency	%
	Min. mm 73	NPSH 3%	m

Pump Materials

Head	Stainless steel / AISI 304
Impeller	Stainless steel / AISI 304
Diffuser	Stainless steel / AISI 304
Outer sleeve	Stainless steel / AISI 304
Shaft	Stainless steel / AISI 316
Adapter	Aluminium
Ring with foot	Aluminium
SEAL HOUSING	Stainless steel / AISI 304
Shaft sleeve and bushing	Tungsten carbide
Fill / drain plugs	Stainless steel / AISI 316
Tie rods	Stainless steel / AISI 431
Wear Ring	Technopolymer

Shaft Seal

e-HM Mechanical seal	Roten
e-HM - Roten	
1 - Rotating part	Aluminium oxide (Ceramic)
2 - Stationary part	Carbon, resin-impregnated
3 - Elastomers	EPDM
4 - Springs	AISI 316
5 - Other components	AISI 316

Motor data

Manufacturer	Lowara	Electric voltage	230 V	Speed	2820 rpm	Insulation class	155 (F)
Specific design	Single phase surface motor			Frame size	71	Colour	RAL 5010
Type	SM71HM../1055 [5H] = 220-240V						
Rated power	0.55 kW	Degree of protection	IP55				
Electric current	3.76 A						

Remarks:

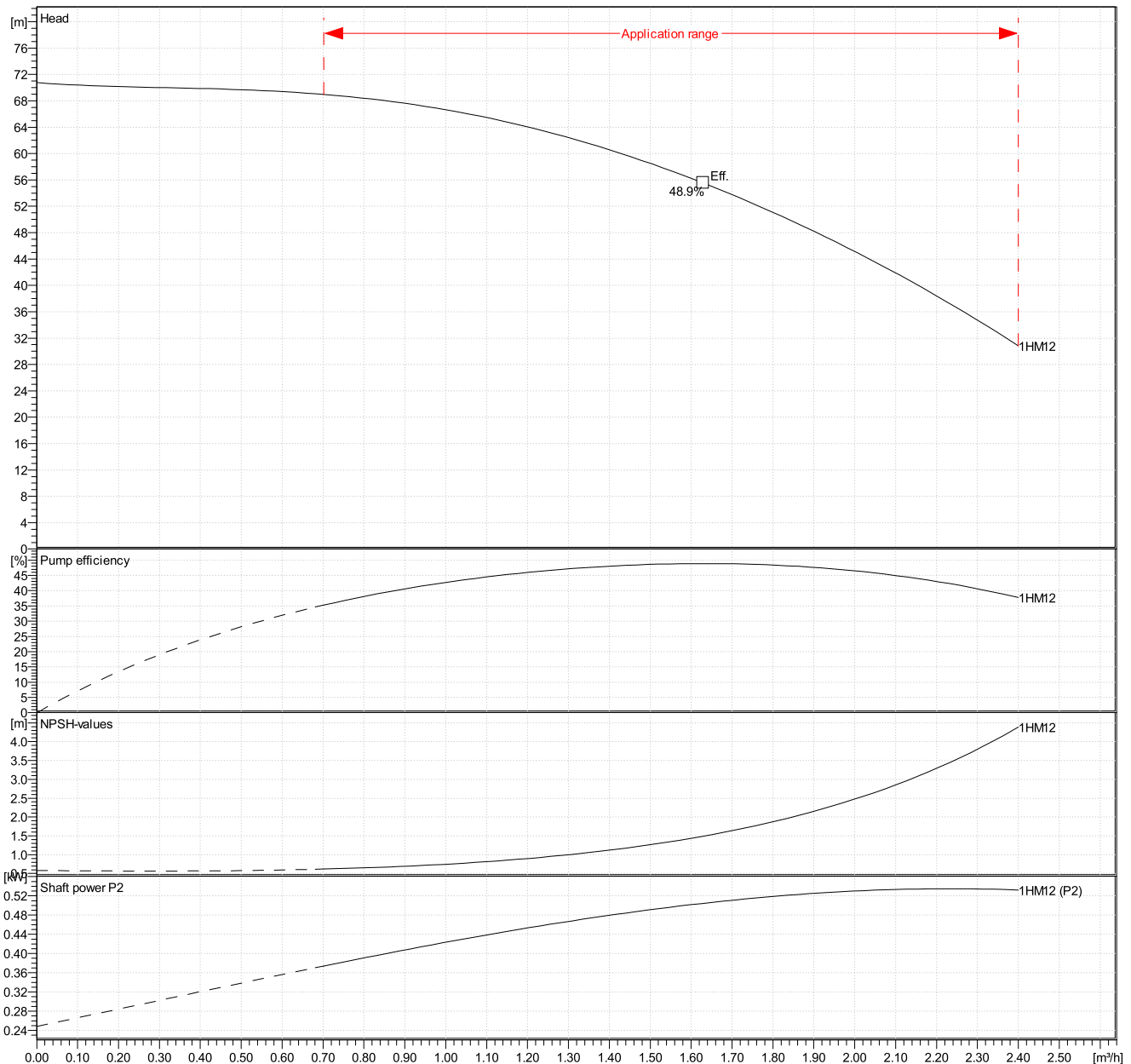
Customer	Date	1/6/2021
Contact	Project	
Phone number	Project no.	
Email		

1HM12S05M5HVBE 104605311

Hydraulic data

Operating Data Specification		Hydraulic data (duty point)		Impeller design	
Flow	0 m ³ /h	Flow		Impeller R	73 mm
Head	0 m	Head		Frequency	50 Hz
Static head	0 m			Speed	2900 rpm

Power datas referred to:
Water [100%] ; 4°C; 1000kg/m³; 1.57mm²/s
 Performance according to ISO 9906:2012 – Grade 3B

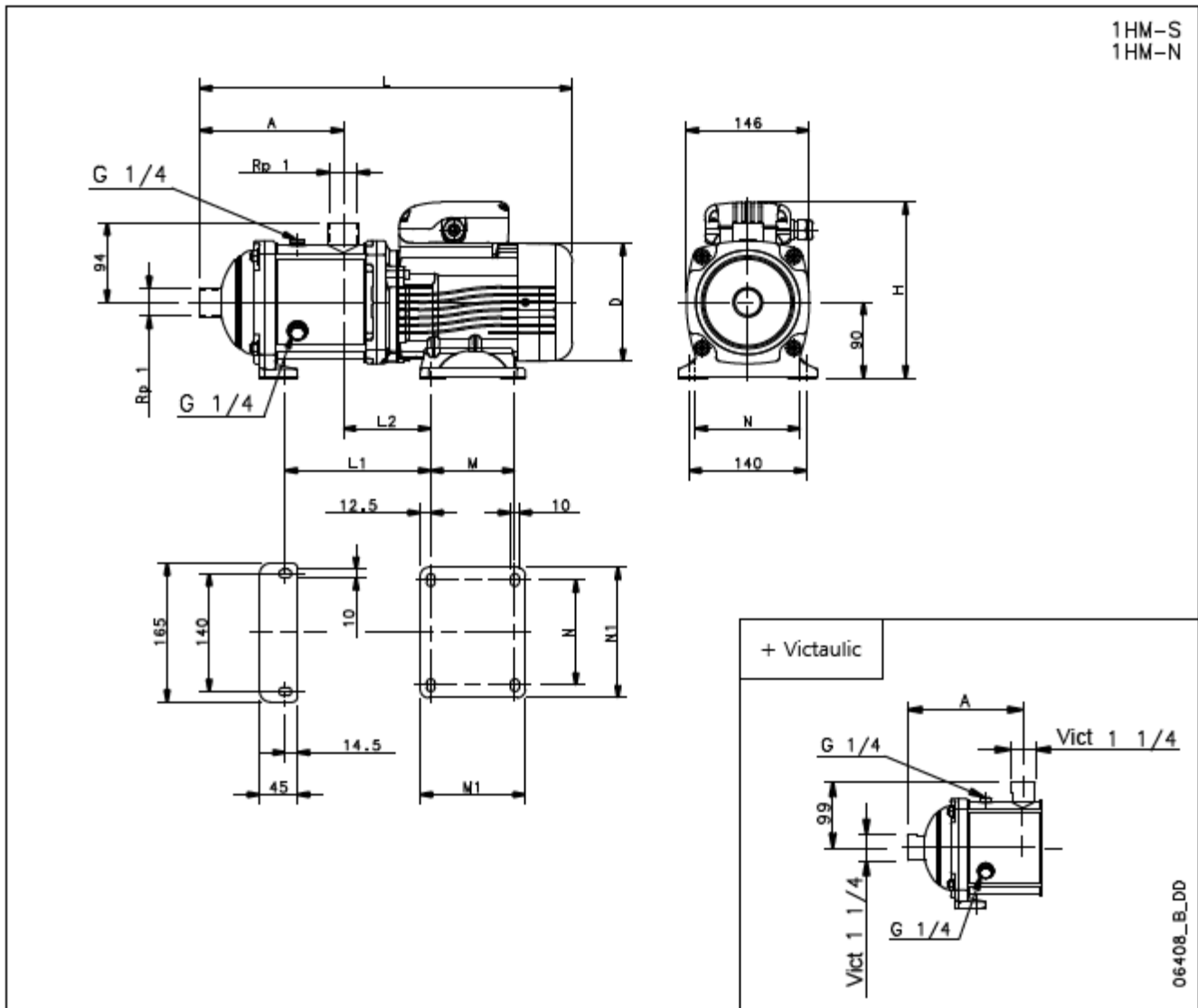


Customer	Date	1/6/2021
Contact	Project	
Phone number	Project no.	
Email		

1HM12S05M5HVBE

104605311

Drawing



Dimensions mm

A	251	N1	155			Weight	
D	140	PN	10			12	kg
H	211						
L	524						
L1	253						
L2	104						
M	100						
M1	125						
N	125						