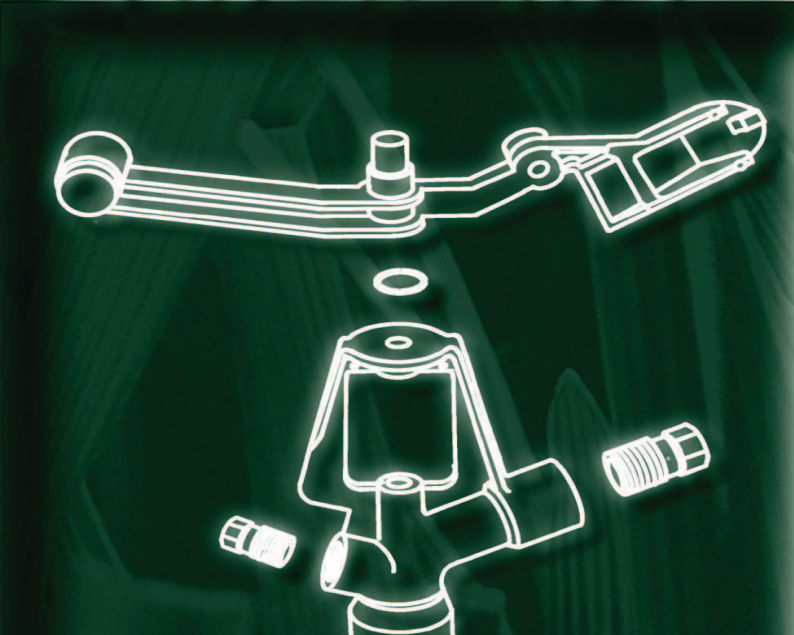
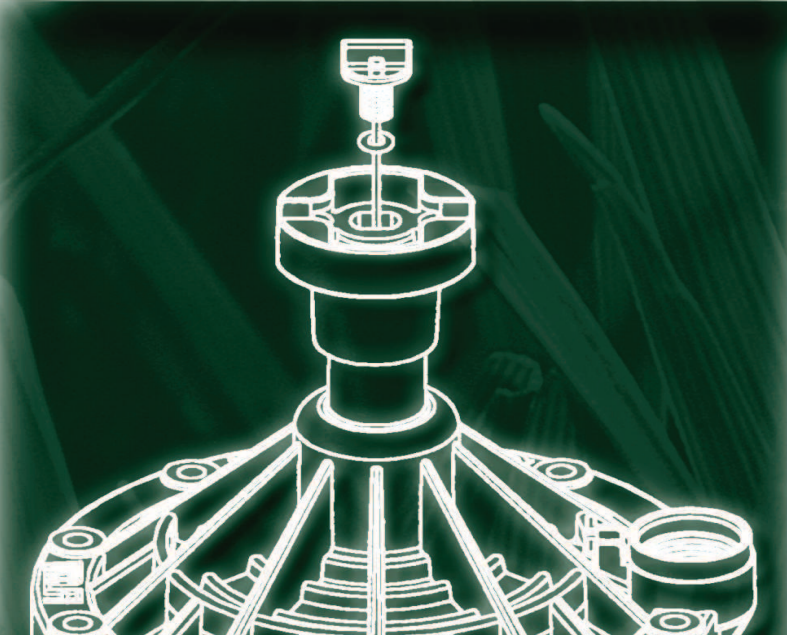
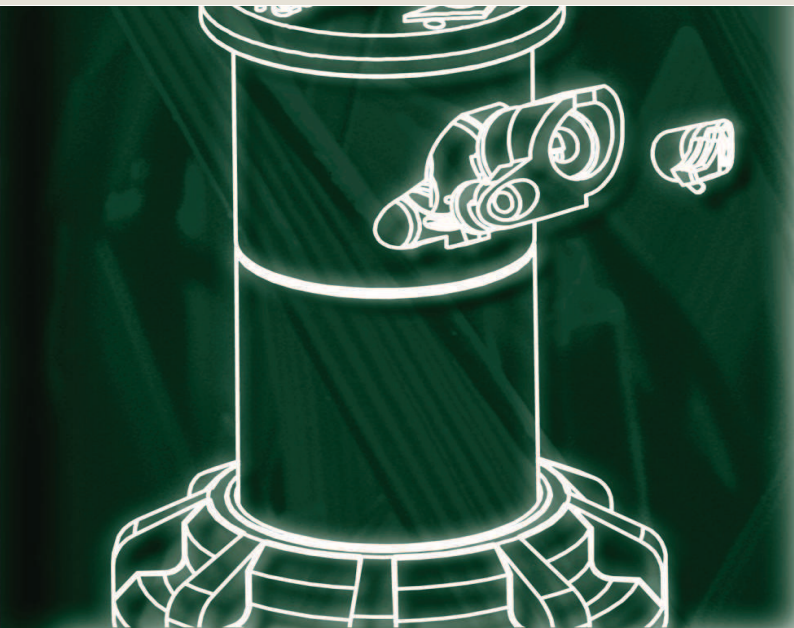
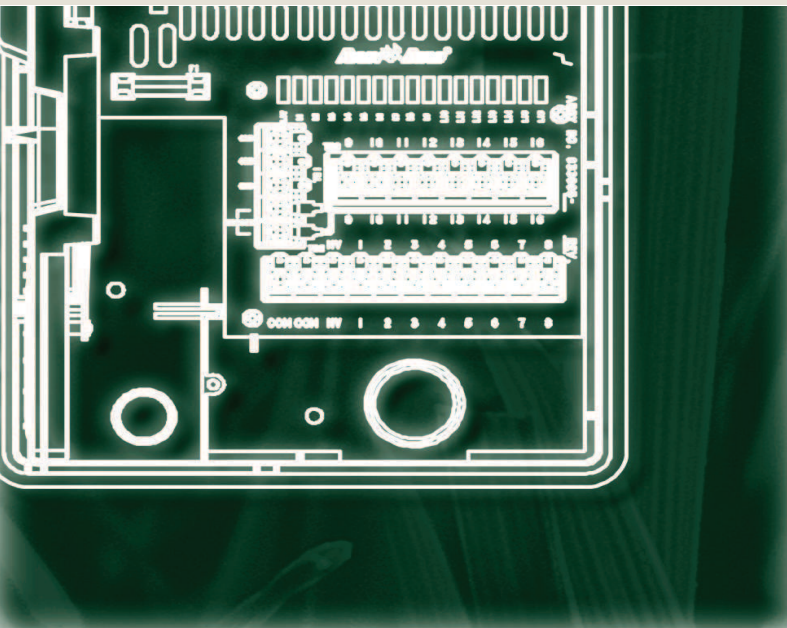




## Master Parts Book - Europe 2017



Effective Date: February 1, 2017



## INDEX

Catalog  
Number Description

---

### SPRAY HEADS

100 1800

---

### FULL CIRCLE IMPACT SPRINKLERS AND GUNS

218 30IBEH  
226 14070H  
228 46H / 46WH / 46H-Plus  
234 SR2005 (1997-1998) - Blue or Gold Sticker  
236 SR2005 (1999) - Silver Sticker  
238 SR2005 (2000) - Green Sticker  
240 SR3003 (1997-1998) - Gold Sticker  
242 SR3003 (1999) - Silver Sticker  
244 SR3003 (2000) - Green Sticker  
260 105C / 1005C / 1005M / 1005M-DC

---

### PART CIRCLE IMPACT SPRINKLERS

300 25BPJ  
302 35A  
306 85EHD

---

### ROTORS

400 2045A Maxi-Paw  
414 Falcon 6504  
416 7005 / 8005  
418 Talon TA-80-FC  
420 Talon TA-85-PC  
434 47D / 51D  
442 91D / 95D  
444 Eagle 351-B  
446 Eagle 500 (Internal Assembly)  
448 Eagle 550 (Internal Assembly)  
450 Eagle 700 (Internal Assembly)  
452 Eagle 750 (Internal Assembly)  
454 Eagle 900 (Internal Assembly)  
456 Eagle 950 (Internal Assembly)  
458 700 / 751 / Eagle 500/550/700/750 (Case Assembly)  
460 Eagle 900/950/1100/1150 / 115-E-FC/PC (Case Assembly)  
462 Eagle 1100 (Internal Assembly)  
464 Eagle 1150 (Internal Assembly)  
466 700 (Internal Assembly)  
468 751 (Internal Assembly)  
470 115-E-FC (Internal Assembly)  
472 115-E-PC (Internal Assembly)

Catalog  
Number Description

---

### MANUAL VALVES

502 Quick Coupler Valves 3RC / 5RC / 5LRC

---

### ELECTRIC VALVES

600 075-DV / 100-DV / 100-DVF / LFV-075  
603 100-HV / 100-HVF  
604 100/150/200-PGA  
610 100/150/200-PEB / 100/150/200-PESB  
618 100-JTV  
634 300-BPE / 300-BPES  
635 100 Series  
638 Solenoids

---

### CONTROLLERS

702 ESP-RZX Indoor : RZ-X4i / RZX-6i / RZX-8i  
703 Image (Post 2000) / Image (Pre 2000) / Irri / ITC / IRC  
704 ESP-Me / ESP-Modular  
710 Ec / STPi / STP+  
719A Dialog  
719B Dialog+  
720 ESP-LXD  
723 WP1 / WP1-AG / WP9 / WP / TBOS-I / UNIK  
724 TBOS-II Field Transmitter  
726 TBOS-II Control Module / Radio Adaptor  
727 TBOS-II Radio Relay

---

### MISCELLANEOUS

802 Standard Swing Joints  
806 Triple Top Swing Joints  
812 Large Capacity Filters



## MISCELLANEOUS PARTS

### NO PARTS AVAILABLE FOR :

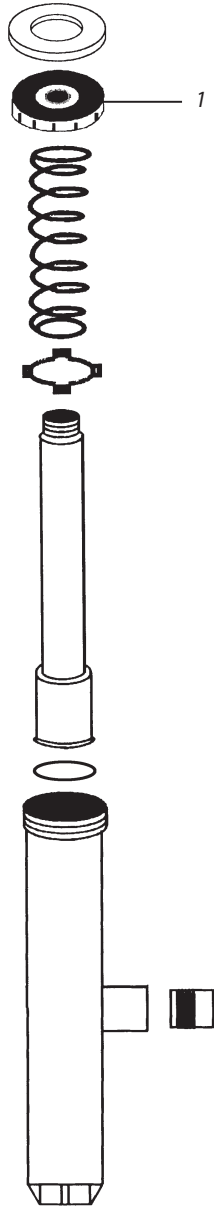
Category	Product name
<b>SPRINKLERS</b>	3504
	40FCH
	48H
	5000
	5505
	65PJ
	ELR
	L36
	LF (See Landscape Price List)
	SR1005
	SR2003
	Uni-Spray

<b>VALVES</b>	EFA / EFB
	PRS-Dial / PRS-B

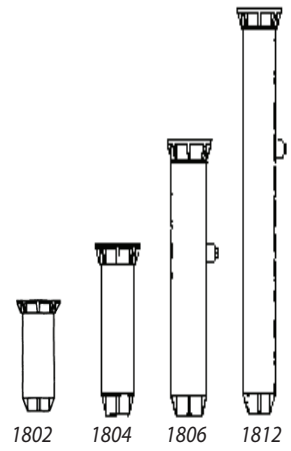
<b>CONTROLLERS</b>	9V
	CC-4
	E Class
	Easyrain
	ESP-LXME
	ESP-RZX Outdoor
	HP (Post 2000)
	ISM
	MDC2
	MDC-50-200
	RC / RC-Bi
	RSD-BEX
	SI-RR
	SI-RR+
	WR2 / WRS / WRC

### MISCELLANEOUS AVAILABLE PARTS :

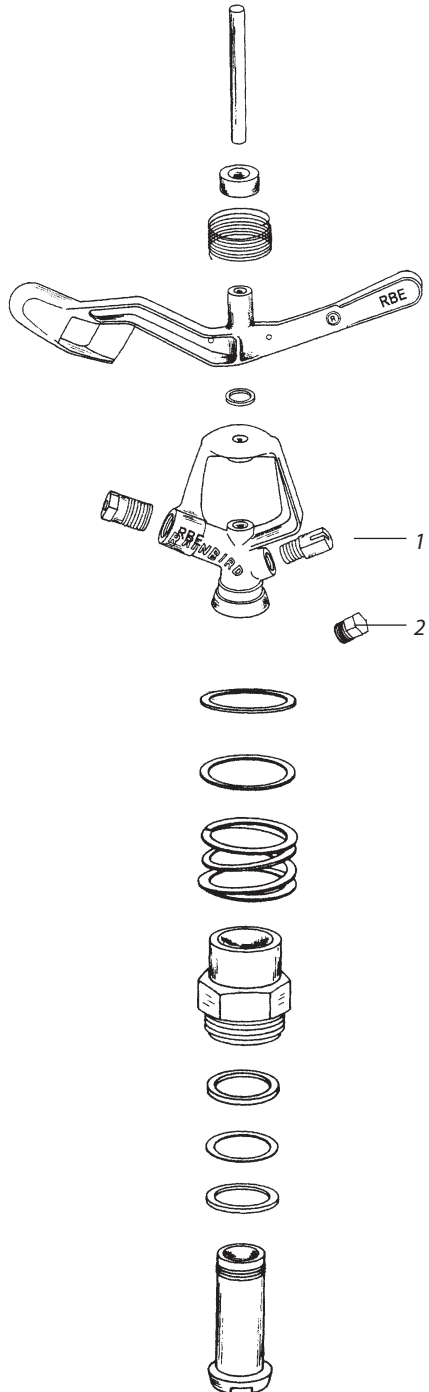
Catalog Number	Description
<b>MISCELLANEOUS</b>	
71P50425	ARM SHAFT KIT (F2004)
71P51216	FIELD TRANSMITTER CABLE (TBOS I)



<u>Ref.</u>	<u>Part Description</u>	<u>1802</u>	<u>1804</u>	<u>1806</u>	<u>1812</u>
ALL MODELS					
1	Cover	116901	116901	116901	116901

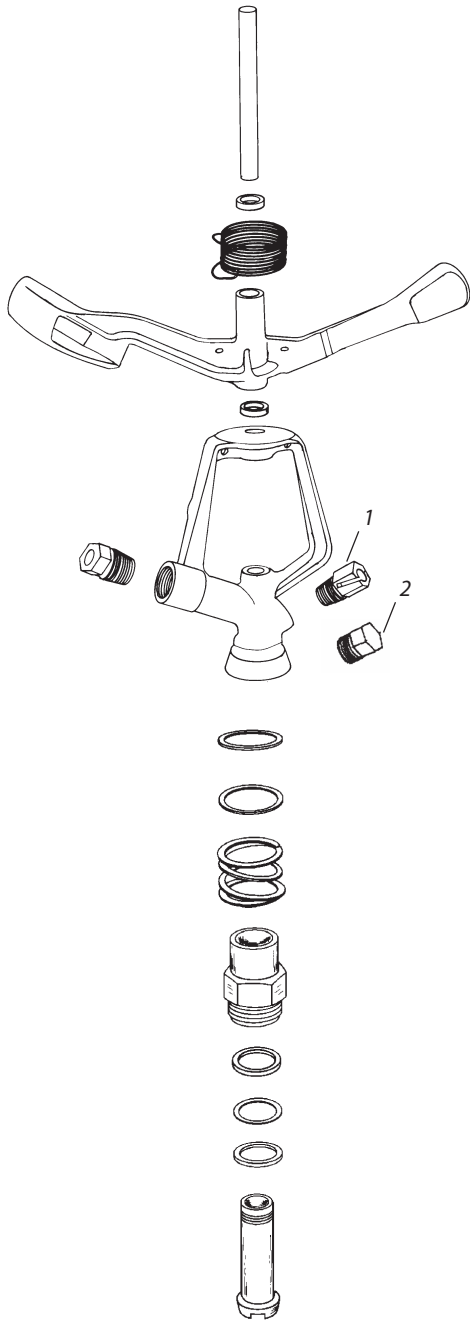






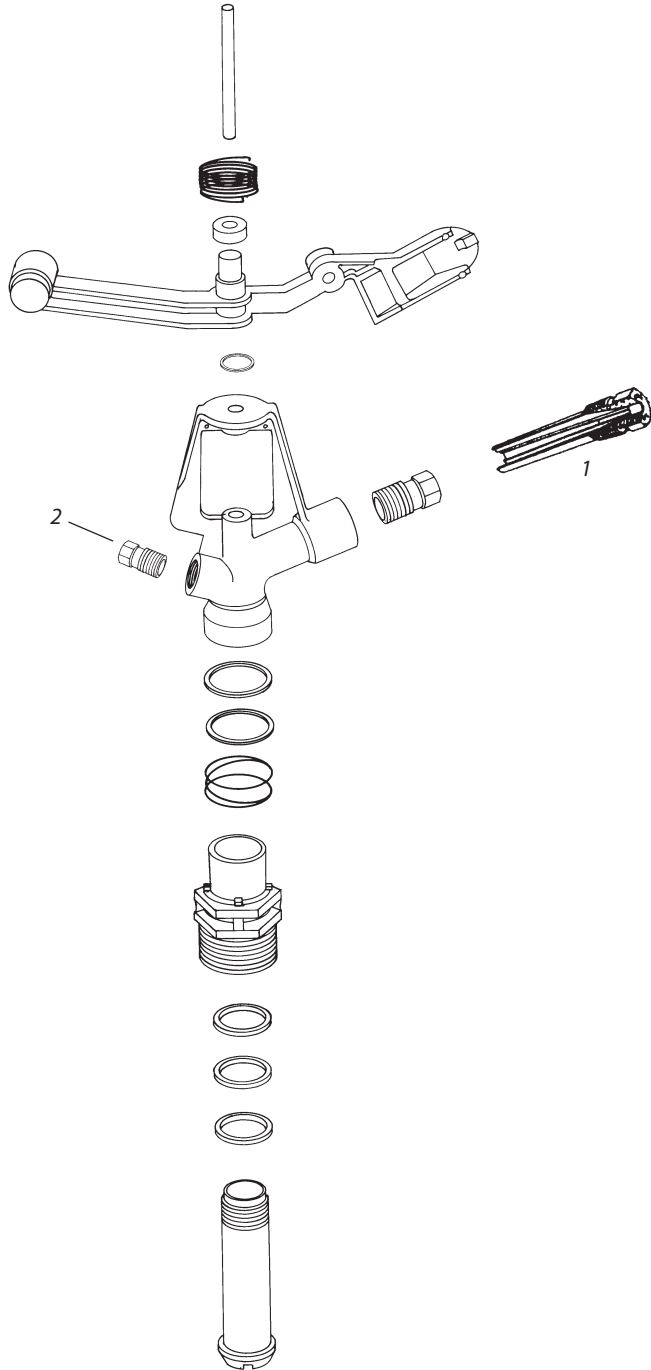
<b>Ref.</b>	<b>Part Description</b>	<b>301BEH</b>
<b>NOZZLES</b>		
1	Spreader 7 Degree	100225xx
1	Spreader 20 Degree	10022608
2	Spreader Plug (W Model)	100255

xx : Spreader sizes available: 06, 08



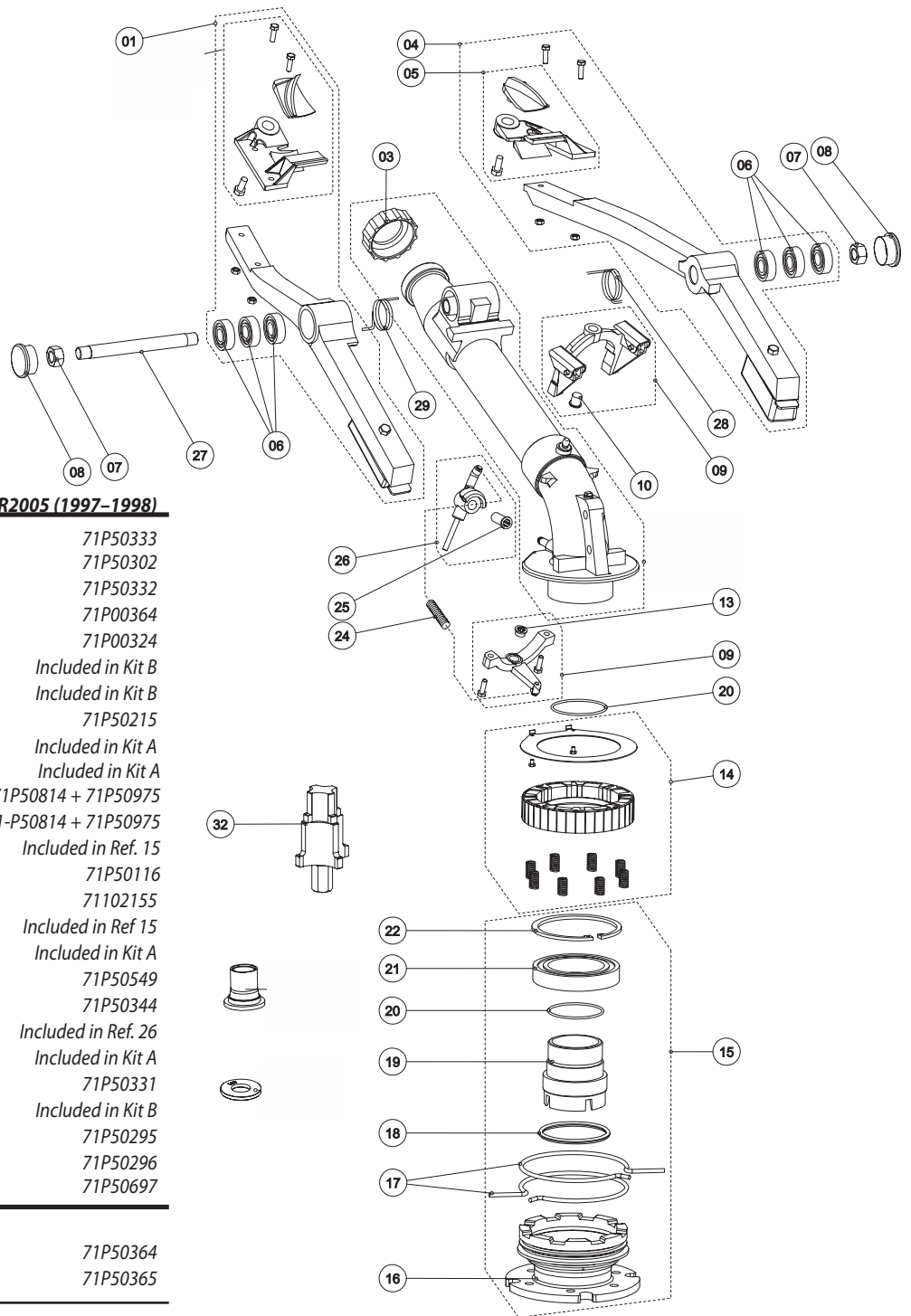
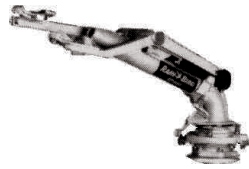
<b>Ref.</b>	<b>Part Description</b>	<b>14070H</b>
<b>NOZZLES</b>		
1	Spreader 7 Degree	100225xx
1	Spreader 20 Degree	10022608
2	Brass Plug (W Models)	100255

xx : Spreader sizes available: 06, 08



Ref.	Part Description	46H 46WH 46H Plus
<b>NOZZLES</b>		
1	Plastic Straight Bore Nozzle w/Vane	71P00002xx
2	Spreader Nozzles	
-	Spreader 7 Degree	100225yy
-	Spreader 20 Degree	10022608
-	Spreader Plug (W Models)	100255
-	Plastic Plug	71P00001

xx : Plastic Straight Bore Nozzle sizes available: 10,11,12,13,14  
yy : Spreader sizes available: 06, 08

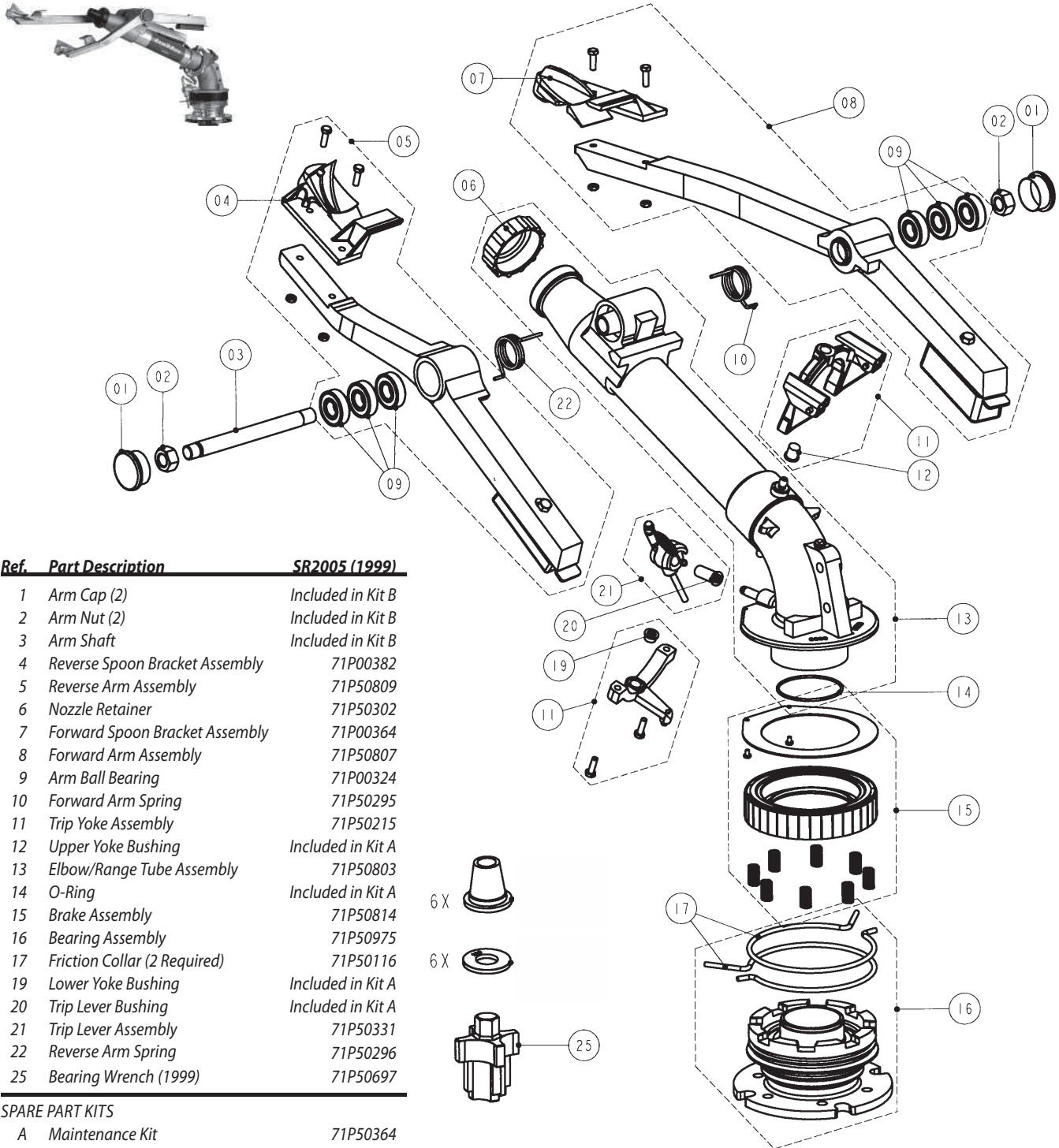


**Ref. Part Description SR2005 (1997-1998)**

01	Reverse Arm Assembly	71P50333
03	Nozzle Retainer	71P50302
04	Forward Arm Assembly	71P50332
05	Forward Spoon Bracket Assembly	71P00364
06	Ball Bearing	71P00324
07	Arm Nut (2)	Included in Kit B
08	Arm Cap (2)	Included in Kit B
09	Trip Yoke Assembly	71P50215
10	Upper Bushing	Included in Kit A
13	Lower Bushing	Included in Kit A
14	Brake Assembly	71P50814 + 71P50975
15	Bearing Assembly	71-P50814 + 71P50975
16	Bearing Sleeve	Included in Ref. 15
17	Friction Collar	71P50116
18	Lower Bearing Seal	71102155
19	Lock Nut	Included in Ref 15
20	Lock Nut Seal (2)	Included in Kit A
21	Ball Bearing	71P50549
22	Snap Ring	71P50344
24	Trip Spring	Included in Ref. 26
25	Trip lever Bushing	Included in Kit A
26	Trip Lever Assembly	71P50331
27	Arm Shaft	Included in Kit B
28	Forward Arm Spring	71P50295
29	Reverse Arm Spring	71P50296
32	Bearing Wrench (1999)	71P50697

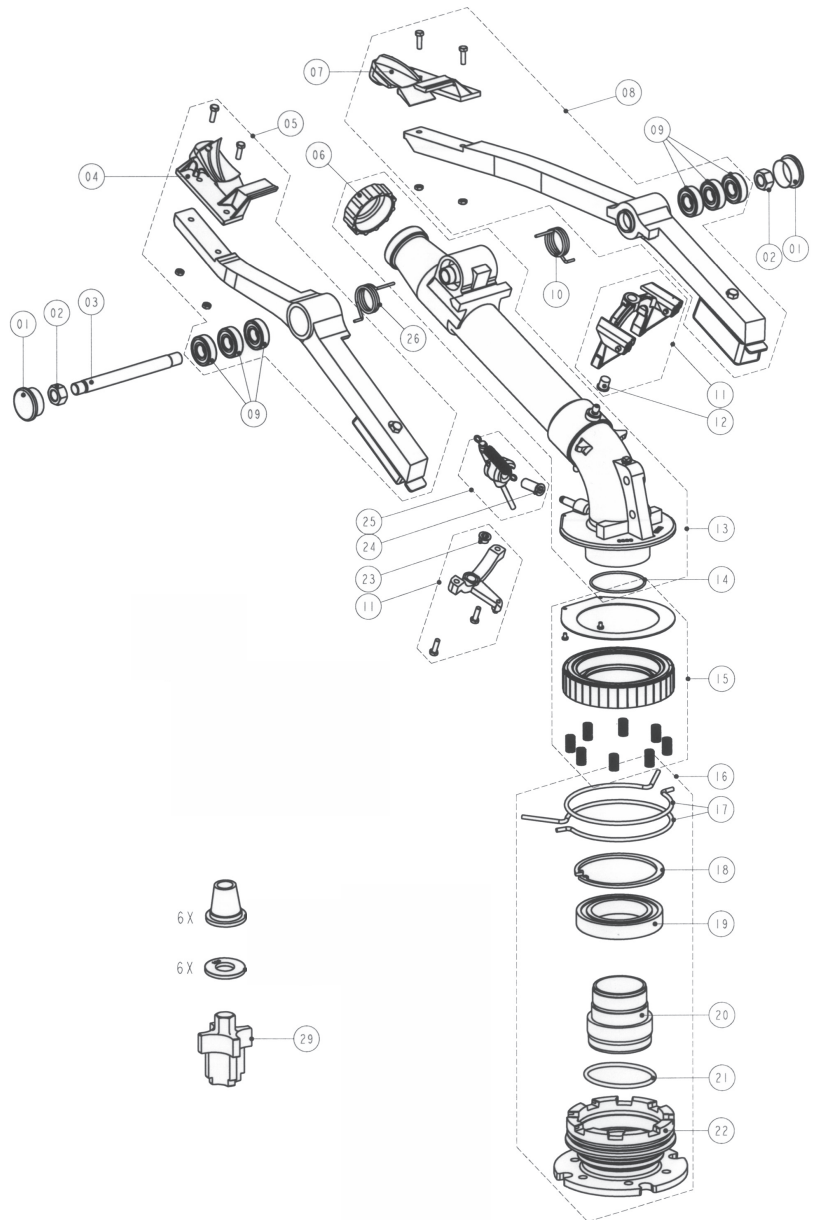
**SPARE PART KITS**

A	Maintenance Kit	71P50364
B	Arm Shaft Kit	71P50365



Ref.	Part Description	SR2005 (1999)
1	Arm Cap (2)	Included in Kit B
2	Arm Nut (2)	Included in Kit B
3	Arm Shaft	Included in Kit B
4	Reverse Spoon Bracket Assembly	71P00382
5	Reverse Arm Assembly	71P50809
6	Nozzle Retainer	71P50302
7	Forward Spoon Bracket Assembly	71P00364
8	Forward Arm Assembly	71P50807
9	Arm Ball Bearing	71P00324
10	Forward Arm Spring	71P50295
11	Trip Yoke Assembly	71P50215
12	Upper Yoke Bushing	Included in Kit A
13	Elbow/Range Tube Assembly	71P50803
14	O-Ring	Included in Kit A
15	Brake Assembly	71P50814
16	Bearing Assembly	71P50975
17	Friction Collar (2 Required)	71P50116
19	Lower Yoke Bushing	Included in Kit A
20	Trip Lever Bushing	Included in Kit A
21	Trip Lever Assembly	71P50331
22	Reverse Arm Spring	71P50296
25	Bearing Wrench (1999)	71P50697
<b>SPARE PART KITS</b>		
A	Maintenance Kit	71P50364
B	Arm Shaft Kit	71P50365





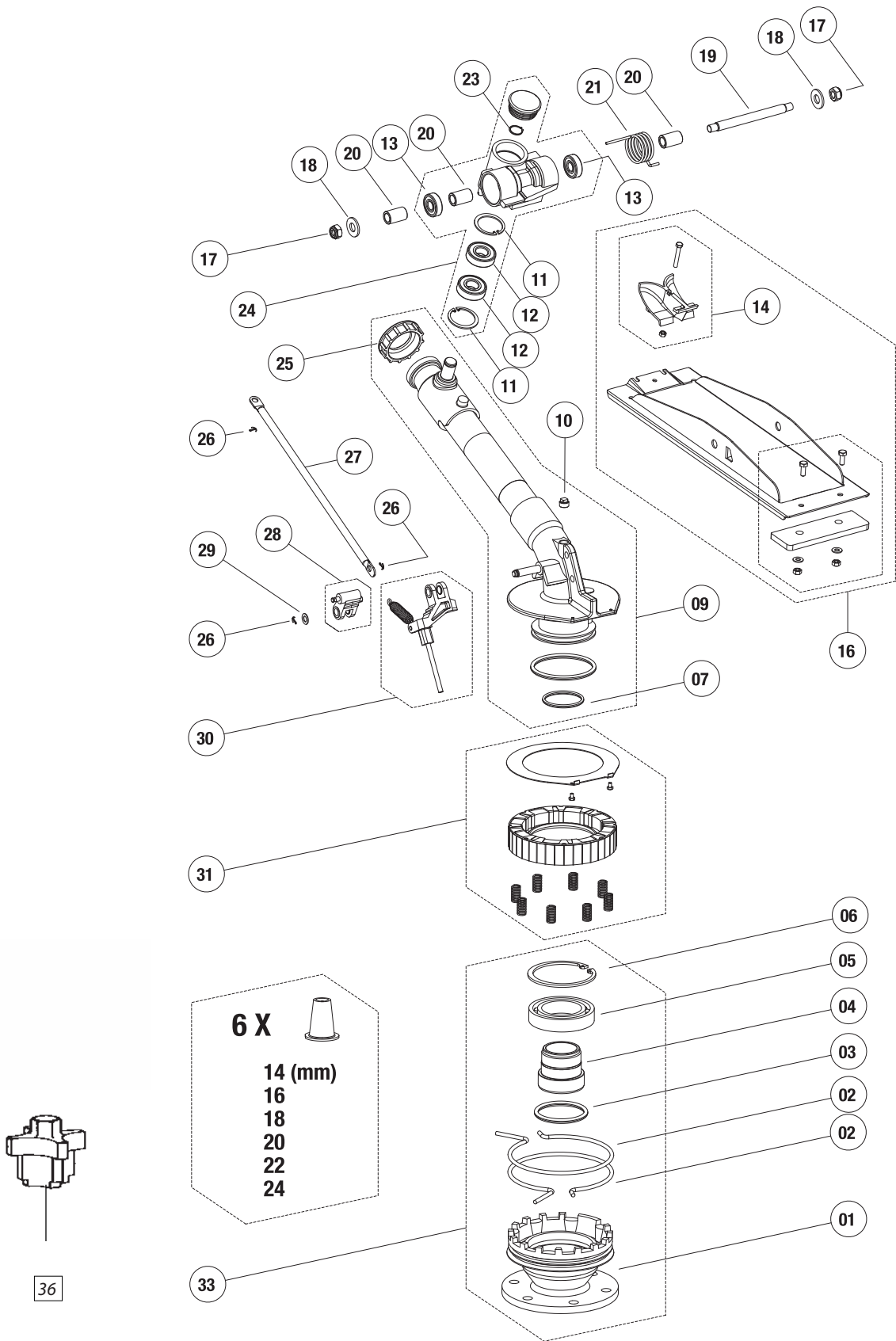
Ref.	Part Description	SR2005 (2000)
01	Arm Cap (2)	Included in Kit B
02	Arm Nut (2)	Included in Kit B
03	Arm Shaft	Included in Kit B
04	Reverse Spoon Bracket Assembly	71P00382
05	Reverse Arm Assembly	71P50809
06	Nozzle Retainer	71P50302
07	Forward Spoon Bracket Assembly	71P00364
08	Forward Arm Assembly	71P50807
09	Arm Ball Bearing	71P00324
10	Forward Arm Spring	71P50295
11	Trip Yoke Assembly	71P50215
12	Upper Yoke Bushing	Included in Kit A
13	Elbow/Range Tube Assembly	71P50803
14	O-Ring (2 required)	Included in Kit A
15	Brake Assembly	71P50814
16	Bearing Assembly	71P50975
17	Friction Collar (2 required)	71P50116
18	Snap Ring	71P50344
19	Ball bearing	71P50549
20	Lock Nut	71P50796
21	O-Ring	71102155
22	Bearing Sleeve	71P50795
23	Lower Yoke Bushing	Included in Kit A
24	Trip Lever Bushing	Included in Kit A
25	Trip Lever Assembly	71P50331
26	Reverse Arm Spring	71P50296

### ACCESSORIES

29	Bearing Wrench	71P50697
----	----------------	----------

### SPARE PART KITS

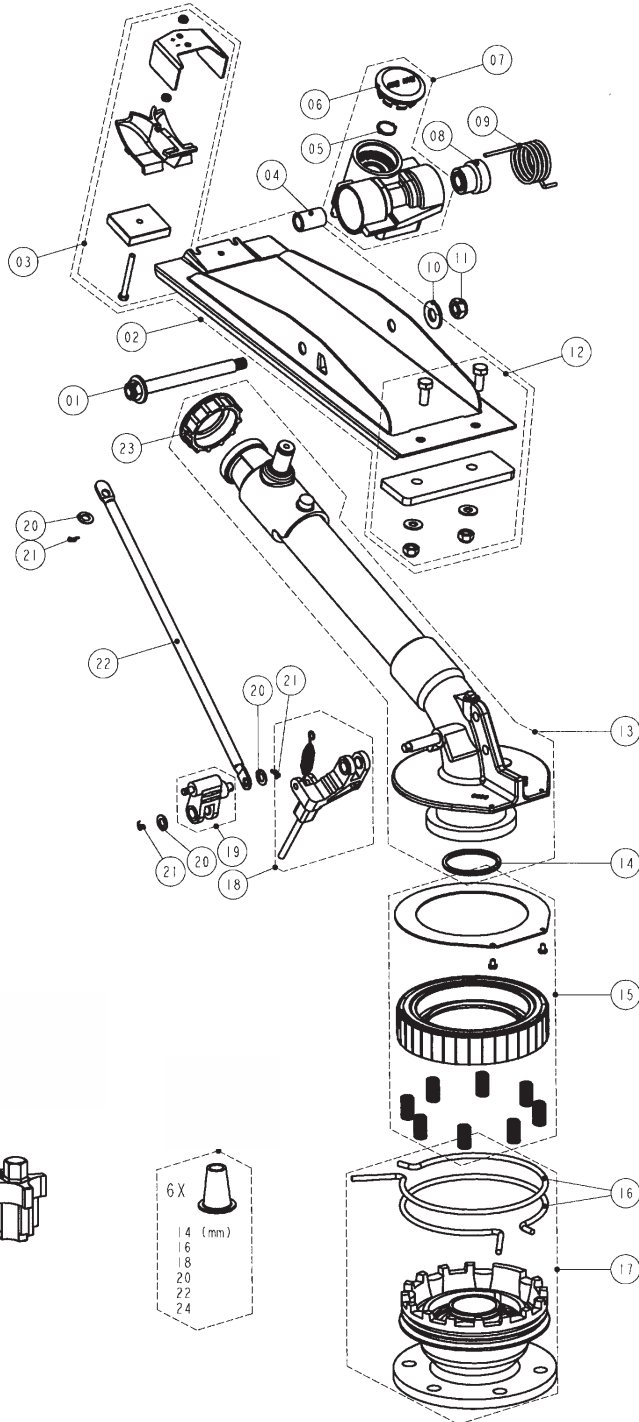
A	Maintenance Kit	71P50364
B	Arm Shaft Kit	71P50365



Ref.	Part Description	SR3003 (1997-1998)
01	Bearing Sleeve***	71-P50824 + 71P51176 + 71P50976
02	Friction Collar (2 required)	71P50116
03	Lower Bearing O-Ring Seal	71P50121
04	Lock Nut***	71-P50824 + 71P51176 + 71P50976
05	Ball Bearing	71P50544
06	Snap Ring	71P50463
07	Lock Nut O-Ring Seal	71-P50155
09	Elbow/Range Tube Assembly***	71P50976 + 71P51176 + 71P50471
11	Pivot Snap Ring (2 required)	Included in Ref. 24
12	Pivot Ball Bearing (2 required)	Included in Ref. 24
13	Arm Ball Bearing (2 required)	Included in Ref. 24
14	Spoon Kit	71P50824
16	Arm Assembly/Counterweight	71P50472
17	Arm Nut (2 required)	Included in Kit C
18	Arm Washer (2 required)	Included in Kit C
19	Arm Shaft	Included in Kit C
20	Spacer (3 required)	71P50420
21	Arm Spring***	71-P50706 + 71P50826 + 71P50812
23	Snap Ring	71P00358
24	Pivot Assembly	71P50826
25	Nozzle Retainer	71105943
26	Cotter Pin (3 required)	Included in Kit B
27	Trip Rod	71P50478
28	Trip Link Assembly	71P50539
29	Elbow Shaft Washer	Included in Kit B
30	Trip Lever Assembly	71-P50538
31	Brake Kit***	71P50824 + 71P51176 + 71P50976
33	Bearing Assembly***	71P50824 + 71P51176 + 71P50976
<b>ACCESSORIES</b>		
36	Bearing Wrench (1999)	71P50697
<b>SPARE PART KITS</b>		
B	Misc. Kit	71P50590
C	Arm Shaft Kit	71P50591



\*\*\* All 3 parts Must Be Ordered to Replace the Original Part.



**Ref. Part Description SR3003 (1999)**

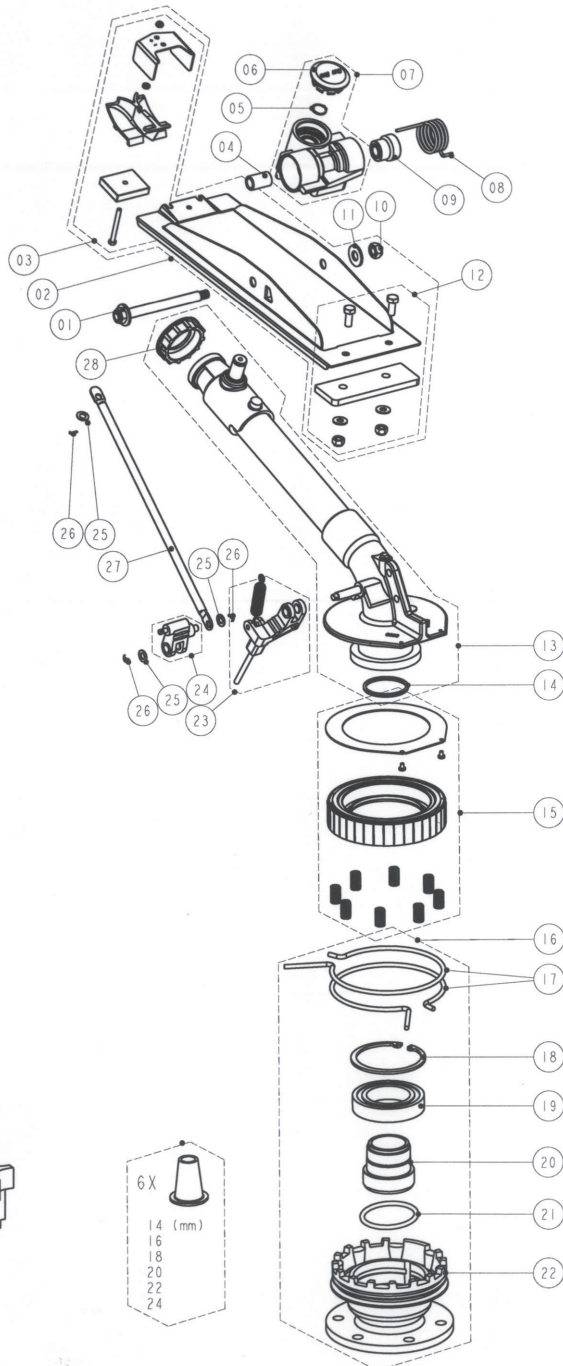
01	Arm Shaft Assembly	Included in Kit C
02	Arm Assembly/Counterweight	71P50472
03	Spoon Assembly	71P50824
04	Spacer	71P50420
05	Snap Ring	71P00358
06	Pivot Cap Assembly	71P50825
07	Pivot Assembly	71P50826
08	Spring Spacer	71P50706
09	Arm Spring	71P50812
10	Arm Washer	Included in Kit C
11	Arm Locknut	Included in Kit C
12	Counterweight Kit	71P50827
13	Elbow/Range Tube Assembly	71P50471
14	O-Ring	71P50155
15	Brake Assembly	71P51176
16	Friction Collar (2 required)	71P50116
17	Bearing Assembly	71P50976
18	Trip Lever Assembly	71P50538
19	Trip Link Assembly	71P50539
20	Elbow Shaft Washer (3 required)	Included in Kit B
21	Cotter Pin (3 required)	Included in Kit B
22	Trip Rod	71P50478
23	Nozzle Retainer	71105943

**ACCESSORIES**

27	Bearing Wrench (1999)	71P50697
----	-----------------------	----------

**SPARE PART KITS**

B	Misc. Kit	71P50590
C	Arm Shaft Kit	71P50591



**Ref. Part Description SR3003 (2000)**

01	Arm Shaft Assembly	Included in Kit B
02	Arm Assembly/Counterweight	71P50472
03	Spoon Assembly	71P50824
04	Spacer	71P50420
05	Snap Ring	71P00358
06	Pivot Cap Assembly	71P50825
07	Pivot Assembly	71P50826
08	Arm Spring	71P50812
09	Spring Spacer	71P50706
10	Arm Locknut	Included in Kit B
11	Arm Washer	Included in Kit B
12	Counterweight Kit	71P50827
13	Elbow/Range Tube Assembly	71P50471
14	O-Ring	71P50155
15	Brake Assembly	71P51176
16	Bearing Assembly	71P50976
17	Friction Collar (2 required)	71P50116
18	Snap Ring	71P50463
19	Ball bearing	71P50544
20	Lock Nut	71P50793
21	O-Ring	71P50121
22	Bearing Sleeve	71P50794
23	Trip Lever Assembly	71P50538
24	Trip Link Assembly	71P50539
25	Elbow Shaft Washer (3 required)	Included in Kit A
26	Cotter Pin (3 required)	Included in Kit A
27	Trip Rod	71P50478
28	Nozzle retainer	71105943

**ACCESSORIES**

32	Bearing Wrench	71P50697
----	----------------	----------

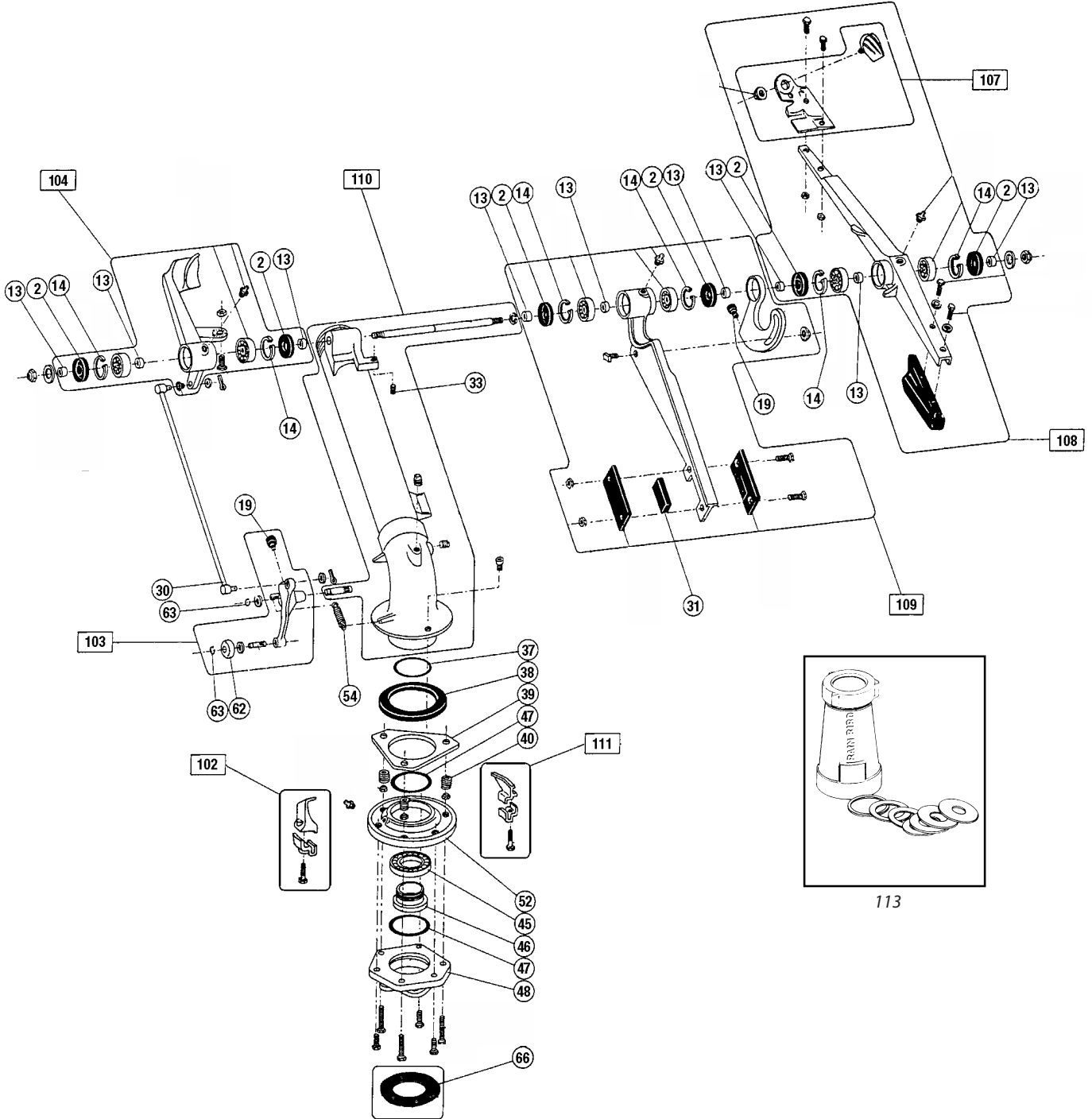
**SPARE PART KITS**

A	Misc. Kit	71P50590
B	Arm Shaft Kit	71P50591



105C / 1005C - GREEN COUNTERWEIGHTS

1005M / 1005M-DC - BLACK COUNTERWEIGHTS



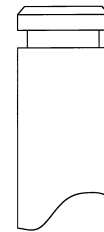


Ref.	Part Description	105C/1005C	1005M	1005M-DC
2	Grease Seal	—	—	—
13	Spacer	71101531	71101531	71101531
14	Snap Ring	—	—	—
19	Bumper	71P00337	71P00337	71P00337
30	Reverse Rod	—	—	71110391
31	Bumper Pad	71100943	71100943	71100943
33	Arm position Screw	—	71P00524	71P00524
37	Thread O-Ring	71102158	71102158	71102158
38	Brake Lining	71102150	71102150	71102150
39	Disc Brake	71108956	71108956	71108956
40	Brake Spring	71101523	71101523	71101523
45	Ball Bearing	71102153	71102153	71102153
46	Lock Nut	71102157	71102157	71102157
47	Bearing O-Ring	71102155	71102155	71102155
48	Bearing Sleeve	71102156	71102156	71102156
52	Bearing Cap Assembly with 3 Bolts/Nuts	71P00728	—	—
54	Reverse Trip Spring	71102182	71102182	71102182
62	Trip Lever Roller	71101527	71101527	71101527
63	Snap Ring*	71P00656	71P00656	71P00656
66	Flange Gasket	71102186	71102186	71102186
102	Forward Trip Stop Assembly	71P00653	71P00653	71P00653
103	Trip Lever Assembly	71P00652	71P00652	71P00652
104	Reverse Arm Assembly	71P00651	71P00651	71P00651
107	Spoon Bracket Assembly	71P00518	71P00518	71P00518
108	Drive Arm Assembly	71P00149	71P00149	71P00149
109	Pendulum Assembly	71P00517	71P00517	71P00517
110	Elbow Range Tube Assembly	—	—	71P00679
111	Reverse Trip Stop Assembly	71P00654	71P00654	71P00654
<b>NOZZLES</b>				
113	CO Ring Orifice Nozzle Assembly	71102138	71102138	—

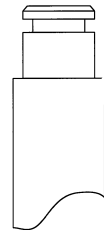
\* See important notice

**IMPORTANT NOTICE**

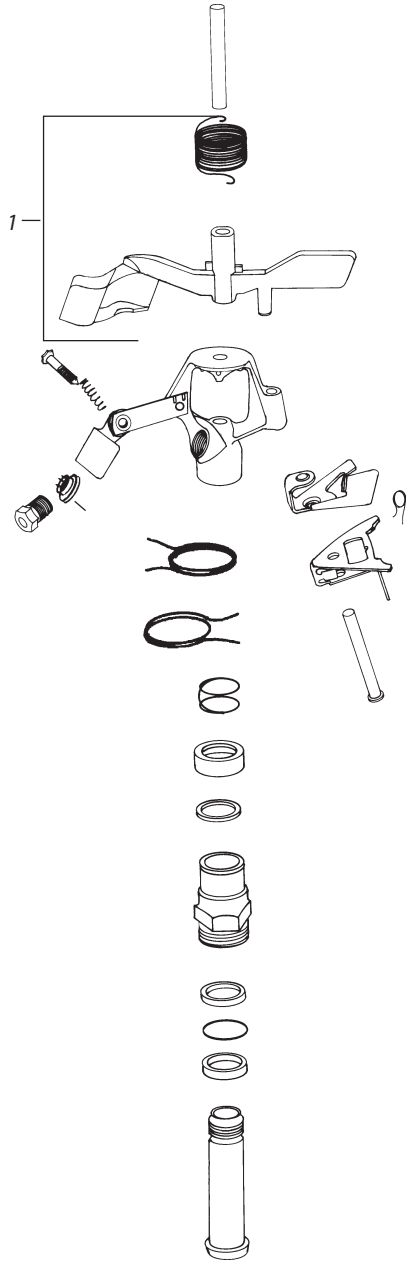
Before ordering Ref. 63, carefully examine the part on which it will be used :  
the elbow shaft or the roller shaft.



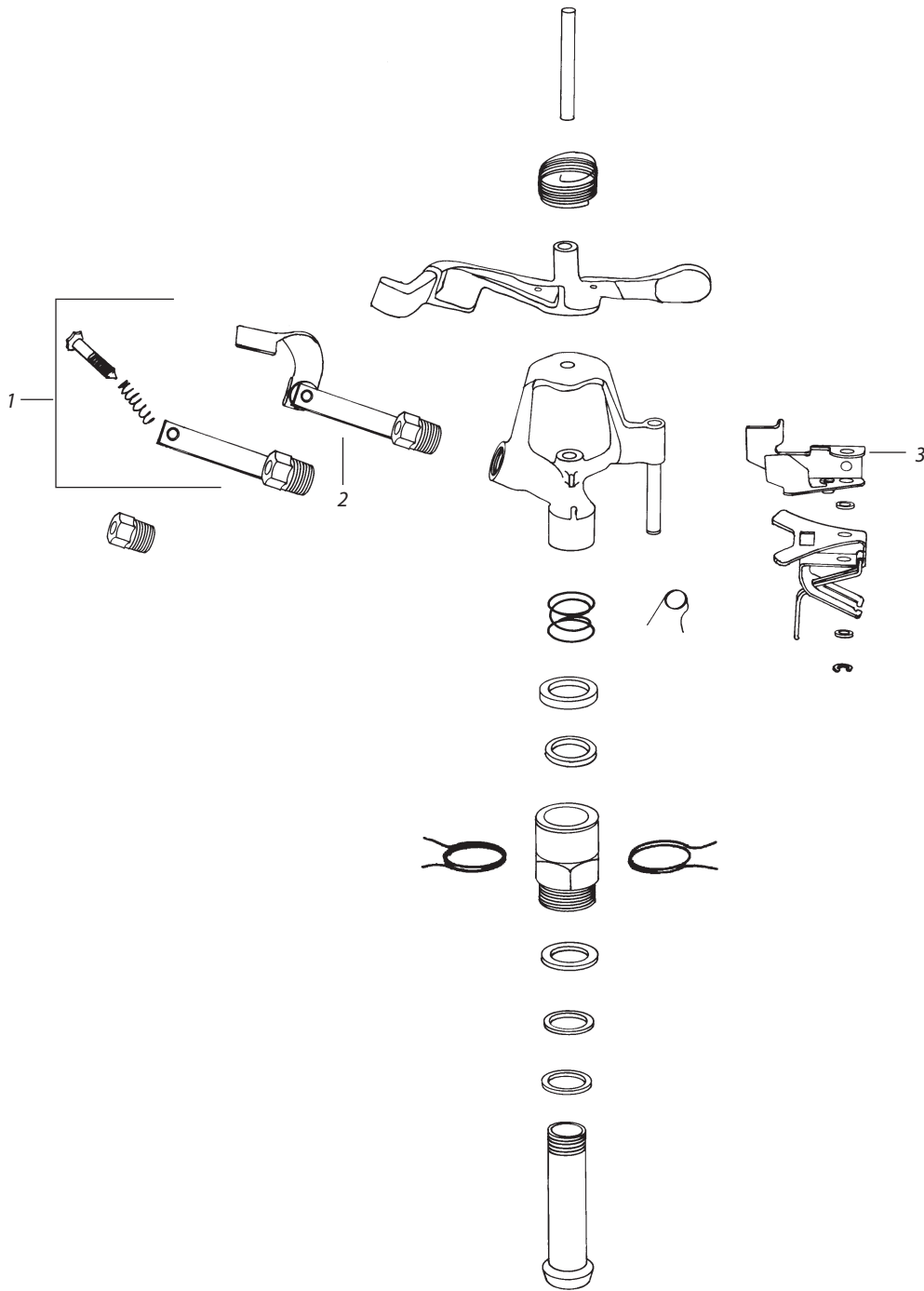
If the shaft looks like this,  
Snap Ring Not Available



If the shaft looks like this,  
order Ref. 63 : 71P00656

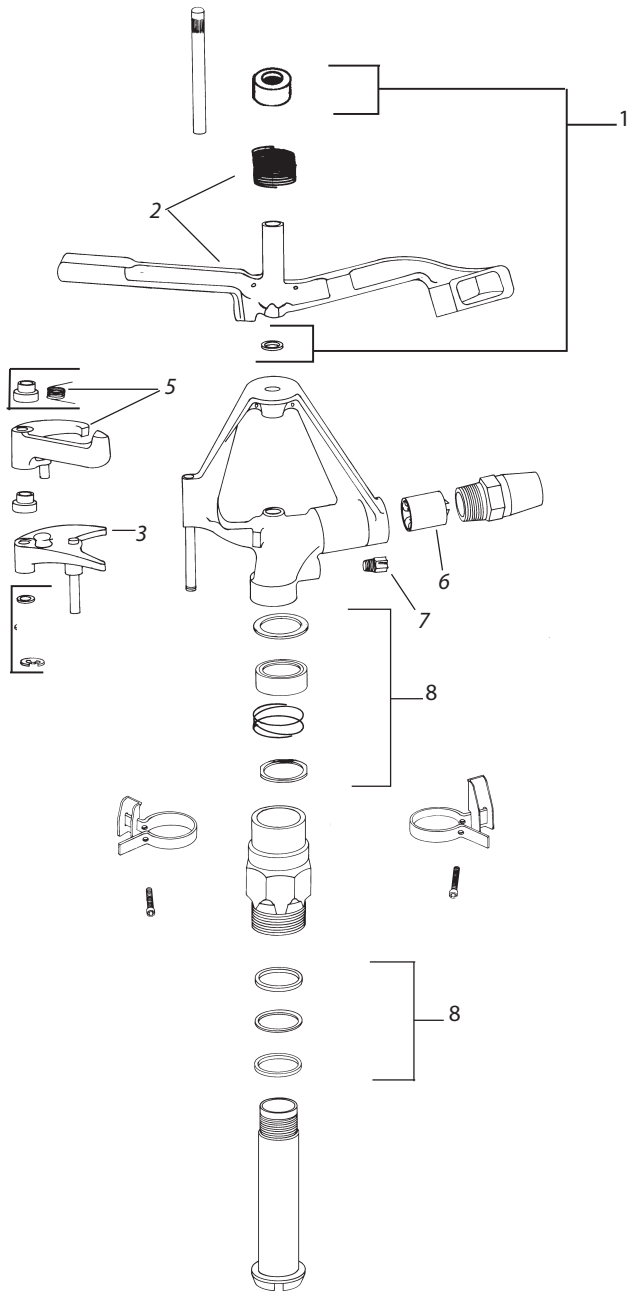


<u>Ref.</u>	<u>Part Description</u>	<u>25BPJ-FP-ADJ</u>	<u>25BPJ-FP ADJ-DA-TNT</u>
UPPER ASSEMBLY			
1	PJ Arm Spring Assembly	177507	177507



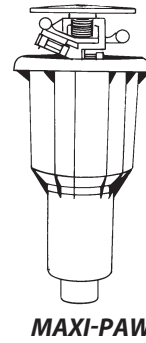
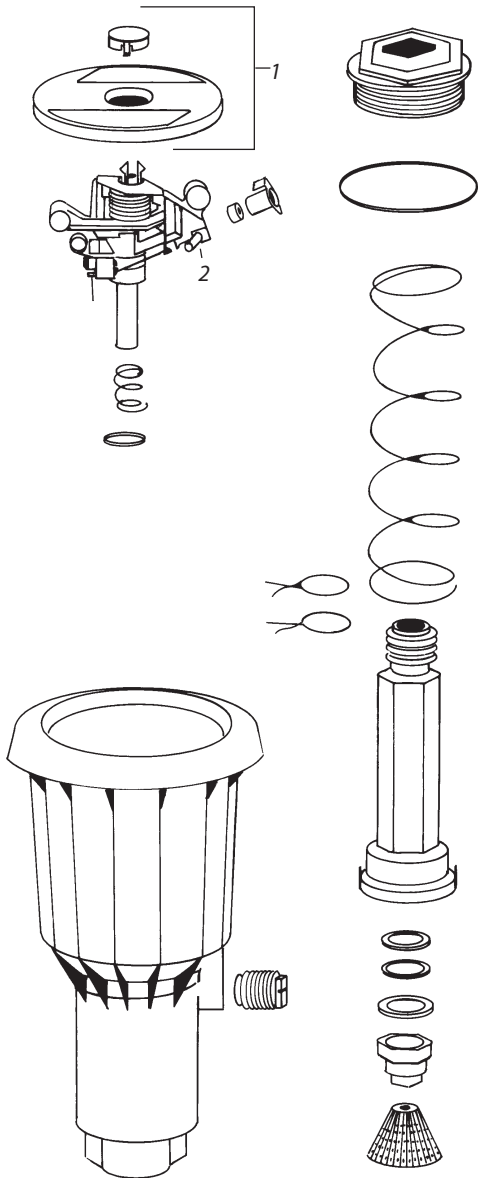
Ref.	Part Description	35A-TNT	35A-ADJ-TNT	35A-PI/DA-TNT	35A-PI/ADJ-TNT	35-A-PI-TNT
<b>NOZZLES</b>						
1	ADJ Nozzle Assembly	—	10032814	—	10032814	10032814
2	DA Nozzle	—	—	100332xx	—	—
<b>TRIP MECHANISM</b>						
3	Upper Trip	100158	100158	100158	100158	100158

xx : Nozzle sizes available: 10,12



<b>Ref.</b>	<b>Part Description</b>	<b>85EHD</b>
<b>UPPER ASSEMBLY</b>		
1	Fulcrum Kit	177421
2	Arm Spring Assembly	116018 / 177470
<b>TRIP MECHANISM</b>		
3	Trip Arm, Lower	111129
5	Trip Arm, Upper	111130
<b>NOZZLES</b>		
6	Body Vane	101275
7	Nozzle Plug	100255
8	Bearing Washer Kit	177474



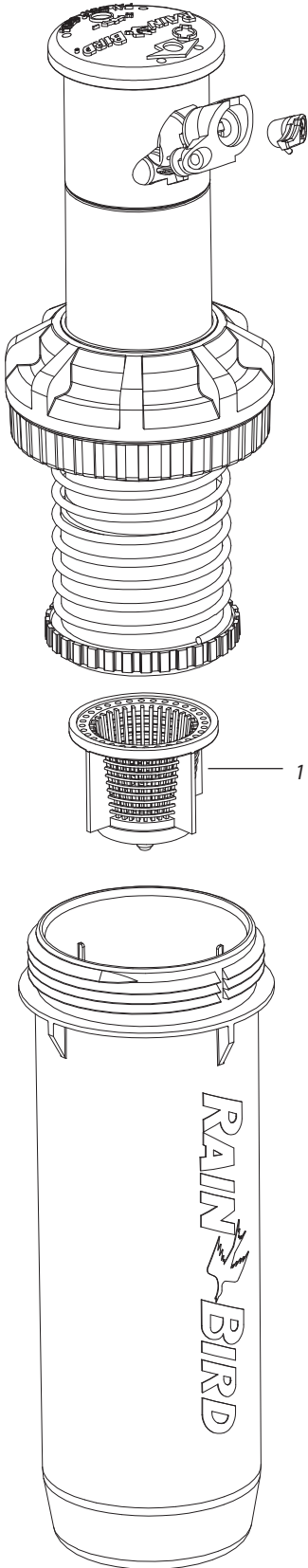


**MAXI-PAW**

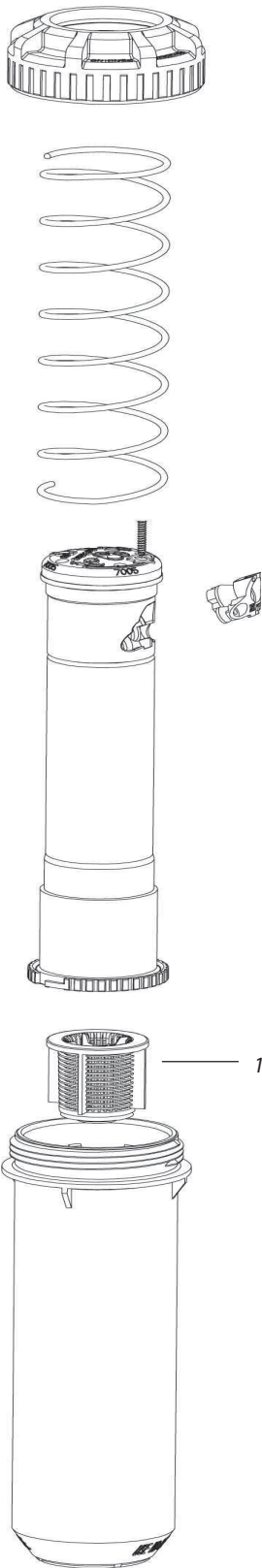
**Ref. Part Description**

**2045A Maxi-Paw**

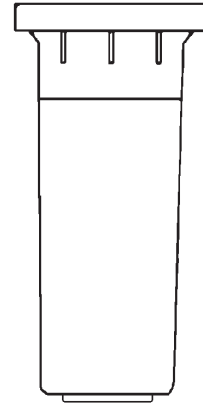
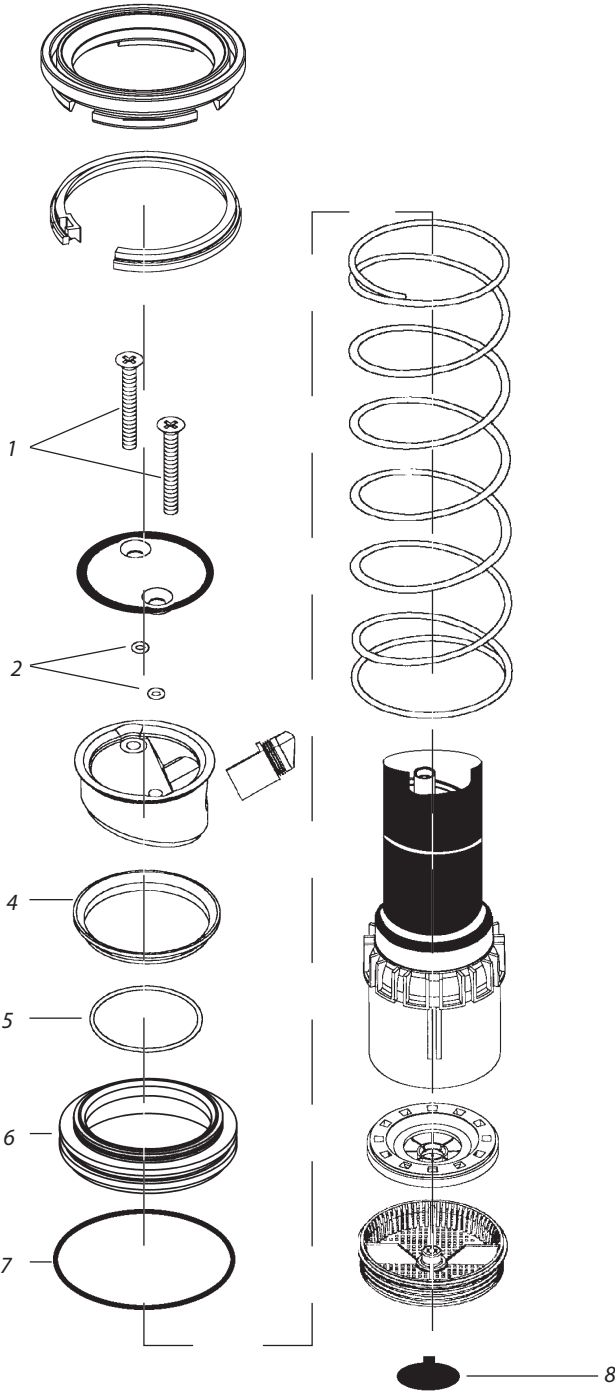
1	Cover Kit	208001
2	Diffuser Screw	203933



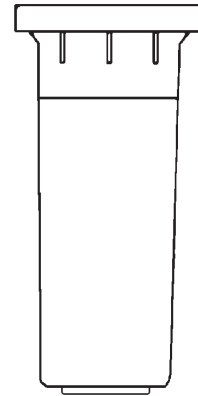
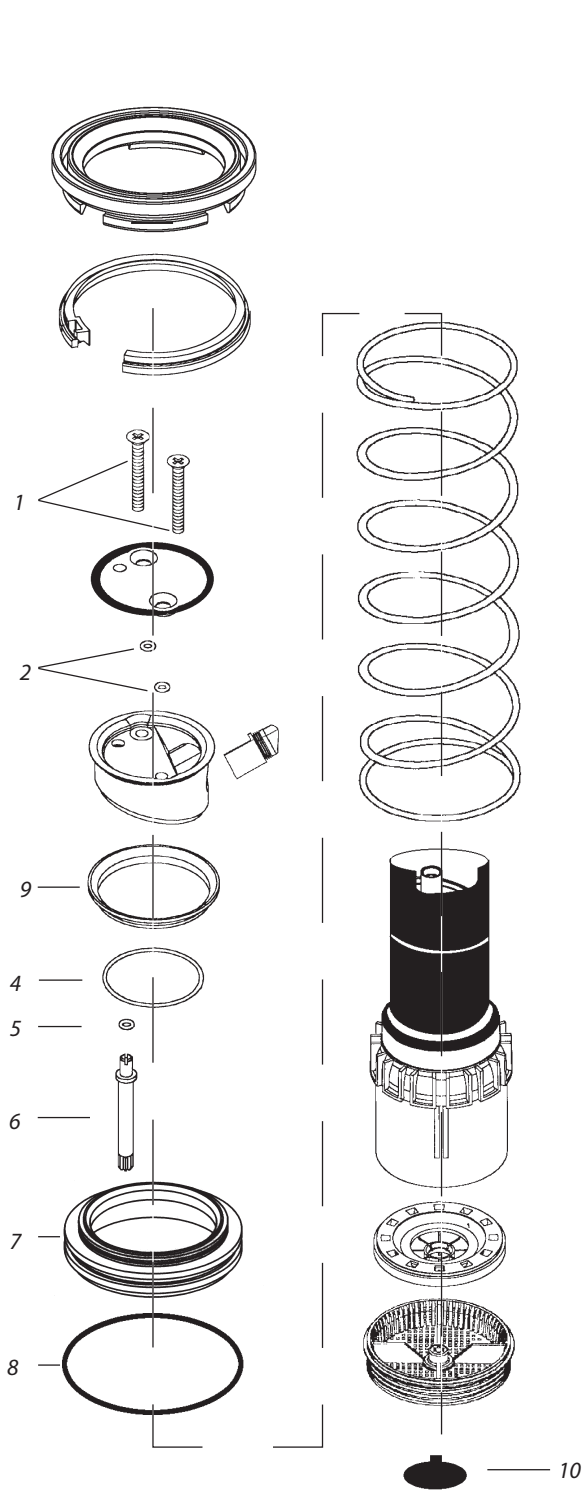
<b>Ref.</b>	<b>Part Description</b>	<b>Part Number</b>
<b>INTERNAL COMPONENTS</b>		
1	Filter Screen w/SAM Assy	209702



<b>Ref. Part Description</b>	<b>7005</b>	<b>8005</b>
<b>INTERNAL ASSEMBLY</b>		
1 Filter Screen w/SAM Assy	250127	250127



<b>Ref.</b>	<b>Part Description</b>	<b>Qty.</b>	<b>TA-80-FC</b>
<b>COVER ASSEMBLY</b>			
1	Screw, # 10 - 24	2	210974
2	O-Ring, Screw # 10	2	211236
<b>BEARING / RISER-MOTOR ASSEMBLY</b>			
4	Seal, Retract	1	210354
5	O-Ring, Nozzle Housing	1	210366
6	Guide, Bearing Assy, STD	1	211147
7	O-Ring, BearingGuide	1	211242
8	Stopmatic Assembly	1	211292



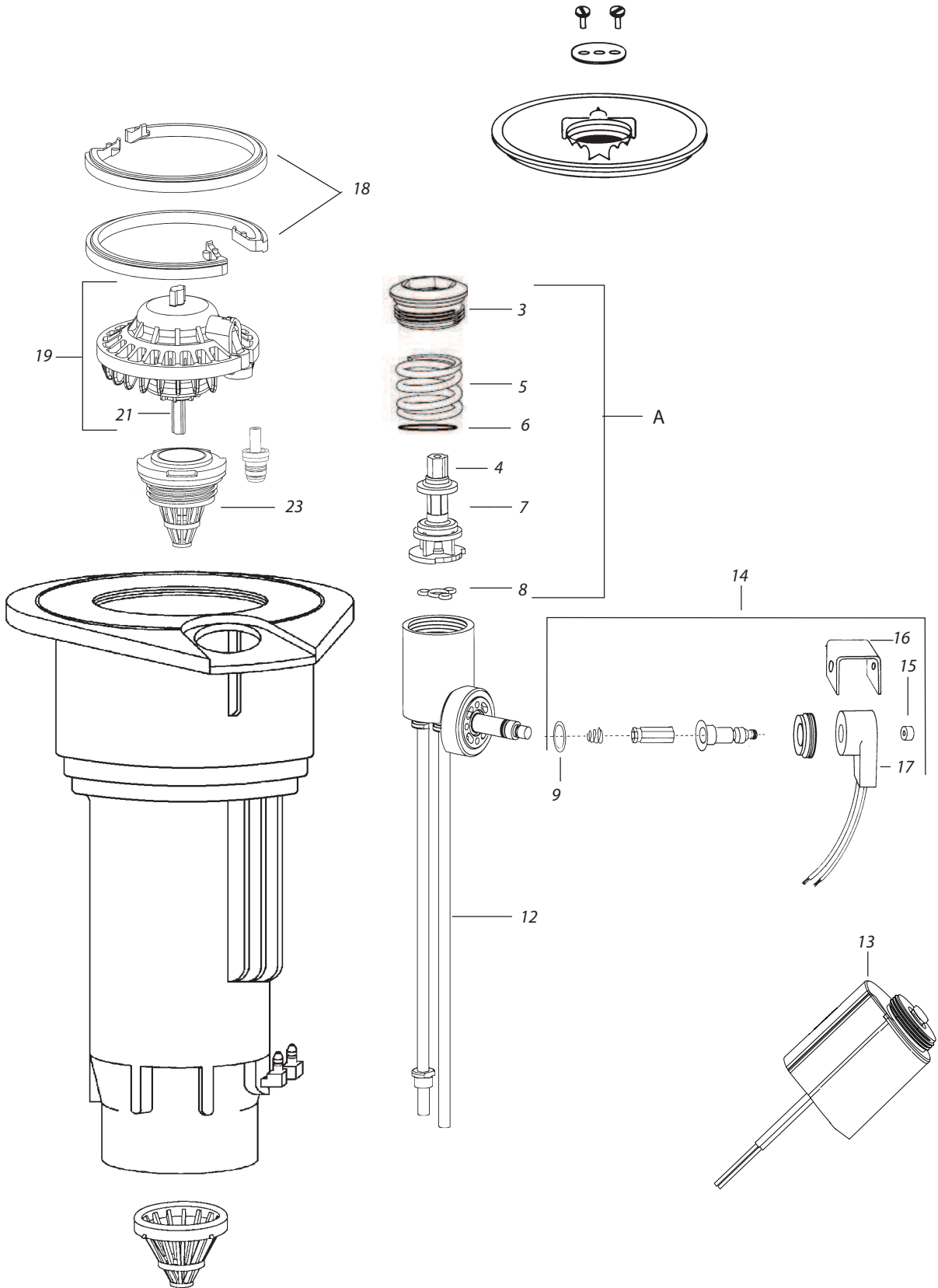
<b>Ref.</b>	<b>Part Description</b>	<b>Qty.</b>	<b>TA-85-PC</b>
<b>COVER ASSEMBLY</b>			
1	Screw, # 10 - 24	2	210974
2	O-Ring, Screw # 10	2	211236
<b>BEARING / RISER-MOTOR ASSEMBLY</b>			
4	O-Ring, Nozzle Housing	1	210366
5	O-Ring, Arc Adjustment Stem	1	211236
6	Arc Adjustment Stem	1	210420
7	Guide, Bearing Assy, STD	1	211147
8	O-Ring, Bearing Guide	1	211242
9	Seal, Retract	1	210354
10	Stopmatic Assembly	1	211292



434 Catalog Number

47DR / 47DS / 47DH / 51DR / 51DS / 51DH  
POST 5/93

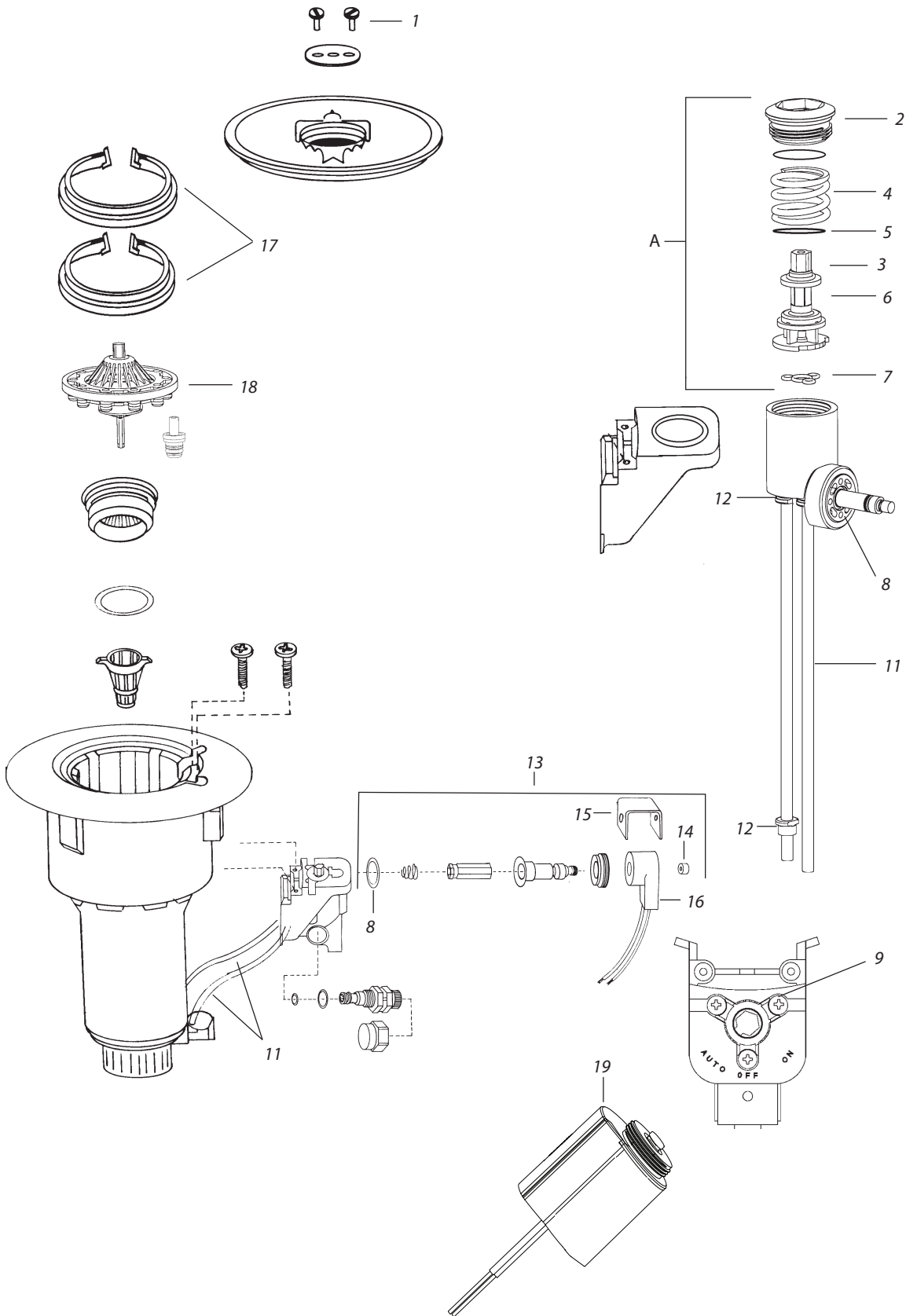
Full/Part Circle Rotors



<b>Ref. Part Description</b>	<b>47DR 51DR</b>	<b>47DS 51DS</b>	<b>47DH 51DH</b>
Internal Assembly	Substitute EAGLE'S Nest Internal Assy.		
3 Selector Cap	(A)	—	—
4 O-Ring, Stem Cover	(A)	—	—
5 Spring, Compression	(A)	—	—
6 Selector Spring Washer	(A)	—	—
7 PRS Cartridge	(A)	—	—
8 Selector Seal (Rust)	(A)	—	—
9 O-Ring, Solenoid Base	211237	—	—
12 Tubing (2)	211607	211607	—
13 Golf Black Solenoid (GBS)	213462C	—	—
14 Solenoid Assembly	20692001	—	—
15 Retainer, Rubber	627167	—	—
16 U-Frame	212124S	—	—
17 Coil	602118	—	—
18 Snap Ring, Lower (2)	208396	208396	208396
19 HPDV Valve Assembly	211266	212323	212323
21 Filter, Universal	20609202	—	—
23 Top-Serviceable Rock Screen (>6/98)	21171402	21171402	21171402
- O-Ring, Rock Screen	210366	210366	210366

(A) Included in PRS/Selector Repair Kit # 213366.

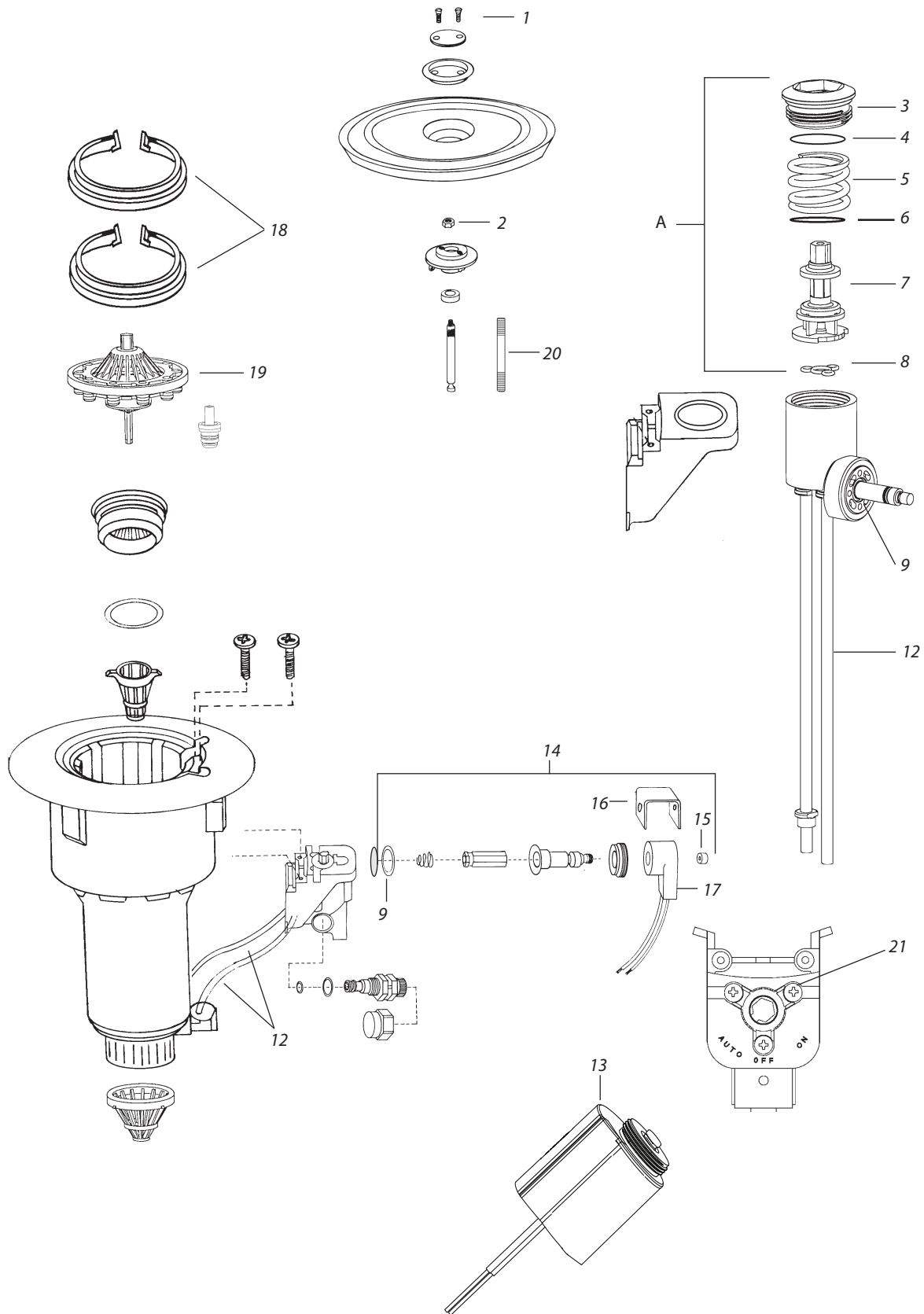
47DR/47DS/47DH/51DR/51DS/51DH  
PRE 5/93



<b>Ref.</b>	<b>Part Description</b>	<b>47DR 51DR</b>	<b>47DS 51DS</b>	<b>47DH 51DH</b>
	<i>Internal Assembly</i>	<i>Substitute EAGLE'S Nest Internal Assy.</i>		
1	Cover Screws, Standard (2)	200974	200974	200974
2	Selector Cap	(A)	—	—
3	Stem Cover O-Ring	(A)	—	—
4	Compression Spring	(A)	—	—
5	Selector Washer	(A)	—	—
6	PRS Cartridge	(A)	—	—
7	Seal, Selector	(A)	—	—
8	Solenoid Base O-Ring	211237	—	—
11	Tubing (2)	211607	211607	—
<b>OLD SELECTOR VALVE PARTS (Pre 5/93)</b>				
9	O-Ring (4)	(B) 211238	—	—
<b>SOLENOID ASSEMBLY - ALL CASE TYPES</b>				
13	Solenoid Assembly	20692001	—	—
14	Retainer, Rubber	627167	—	—
15	U-Frame	212124S	—	—
16	Coil	602118	—	—
19	Golf Black Solenoid (GBS)	213462C	—	—
<b>2-PIECE CASE PARTS</b>				
17	Lower Snap Rings (2)	208396	208396	208396
18	HPDV Valve	211266	212323	212323

(A) Included in new style PRS/Selector Repair Kit # 213366.

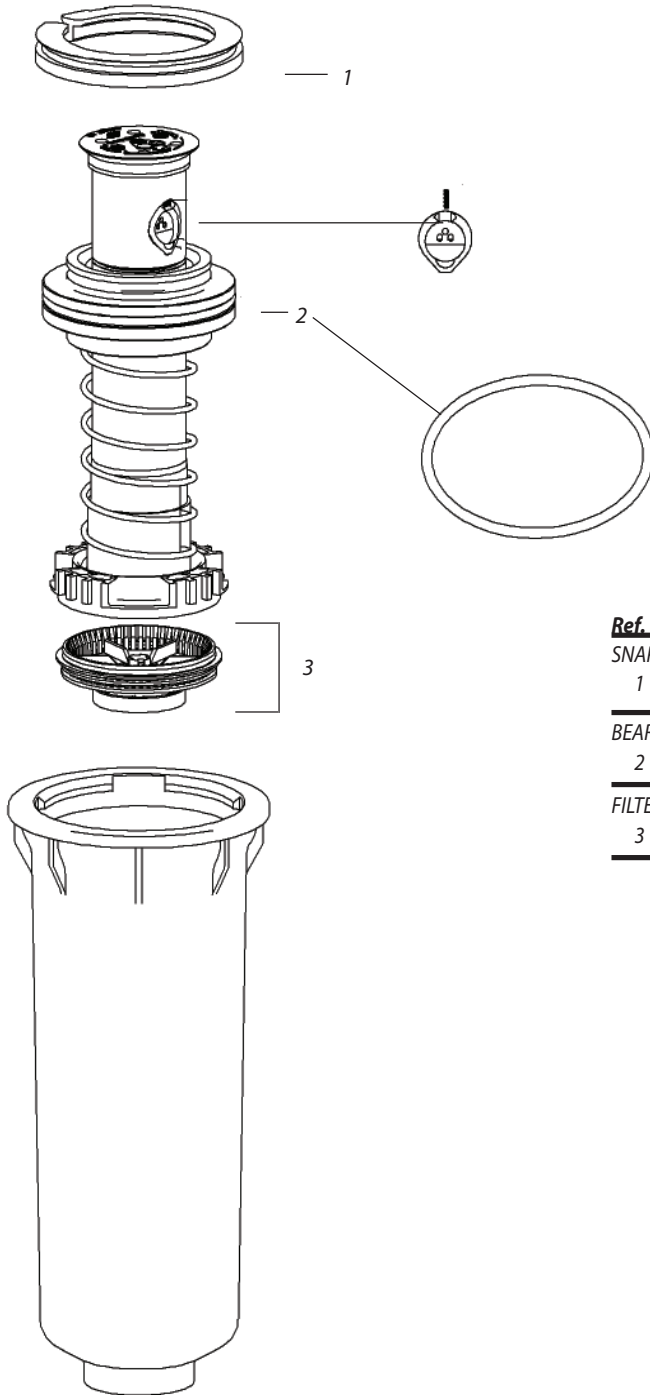
(B) Selector Valves made before 6/88 used three (3) O-Rings.



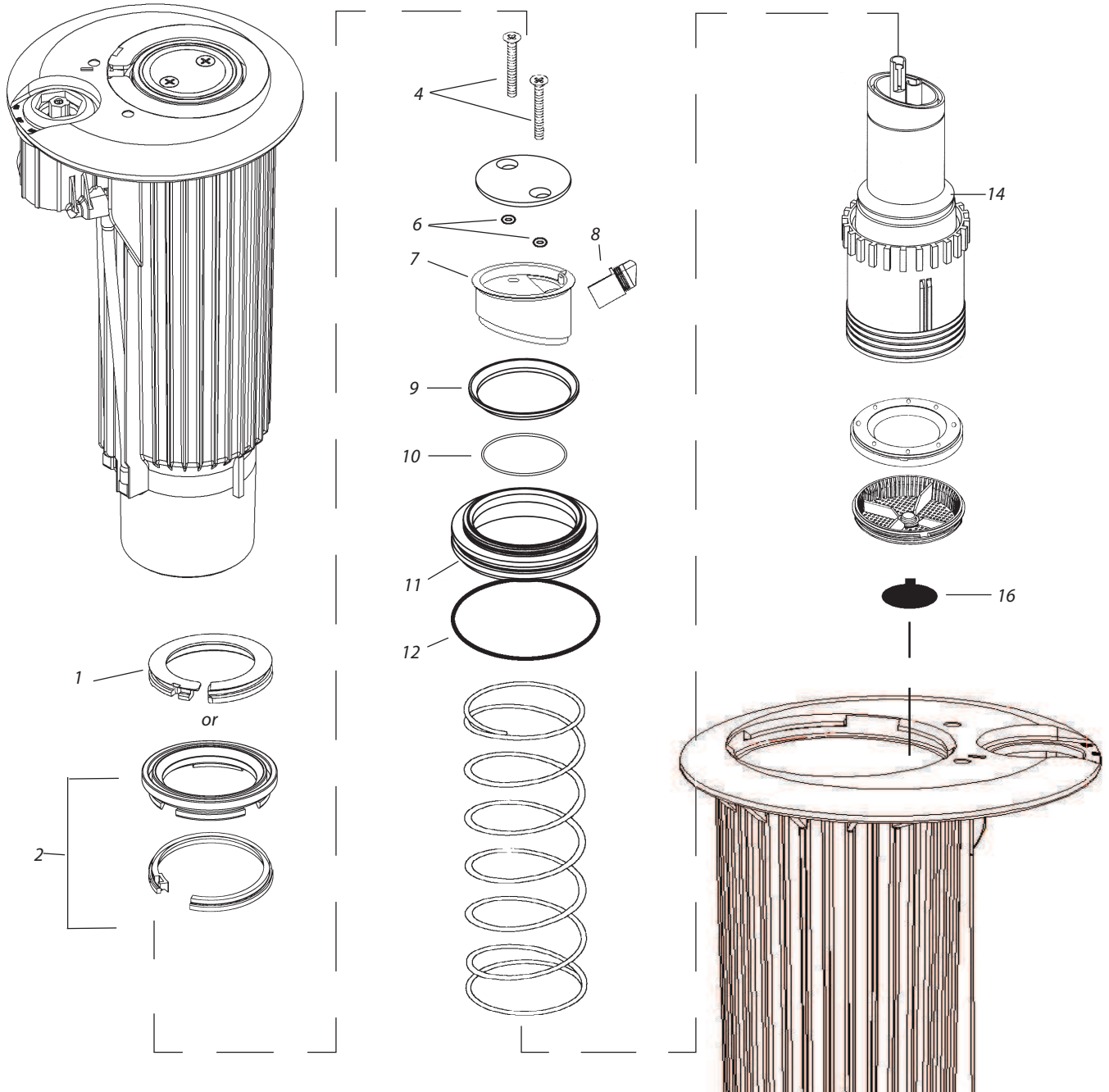
<b>Ref.</b>	<b>Part Description</b>	<b>91DR / 95DR</b>	<b>91DS / 95DS</b>	<b>91DH / 95DH</b>
1	Cover Screws, Standard (2)	200974	200974	200974
2	Fulcrum Nut	—	—	—
20	Fulcrum Pin - Threaded	—	—	—
<b>NEW PRS/SELECTOR VALVE (Post 5/93)</b>				
3	Selector Cap	(A)	—	—
4	Stem Cover O-Ring	(A)	—	—
5	Compression Spring	(A)	—	—
6	Selector Washer	(A)	—	—
7	PRS Cartridge	(A)	—	—
8	Selector Seal (Rust)	(A)	—	—
9	Solenoid Base O-Ring	211237	—	—
12	Tubing (2)	211607	211607	—
13	Golf Black Solenoid (GBS)	213462C	213462C	213462C
14	Solenoid Assembly	20692001	—	—
15	Rubber Retainer	627167	—	—
16	U-Frame	2121245	—	—
17	Coil	602118	—	—
18	Snap Ring, Lower (2)	208396	208396	208396
19	HPDV Valve Assembly	211266	212323	212323
<b>OLD SELECTOR VALVE PARTS (Pre 5/93)</b>				
21	O-Ring (4)	(B) 211238	—	—
14	Solenoid Assembly	20692001	—	—
15	Rubber Retainer	627167	—	—
16	U-Frame	2121245	—	—
17	Coil	602118	—	—
12	Tubing (2)	211607	211607	—

(A) Included in new style PRS/Selector Repair Kit # 213366.

(B) Selector Valves made before 6/88 used three (3) O-Rings.



<b>Ref.</b>	<b>Part Description</b>	<b>All Models</b>
<b>SNAP RINGS</b>		
1	Snap Cover	21192101
<b>BEARING ASSEMBLY</b>		
2	Bearing Guide O-Ring	211242
<b>FILTER ASSEMBLY</b>		
3	Screen and Check Valve Assy Kit	212914

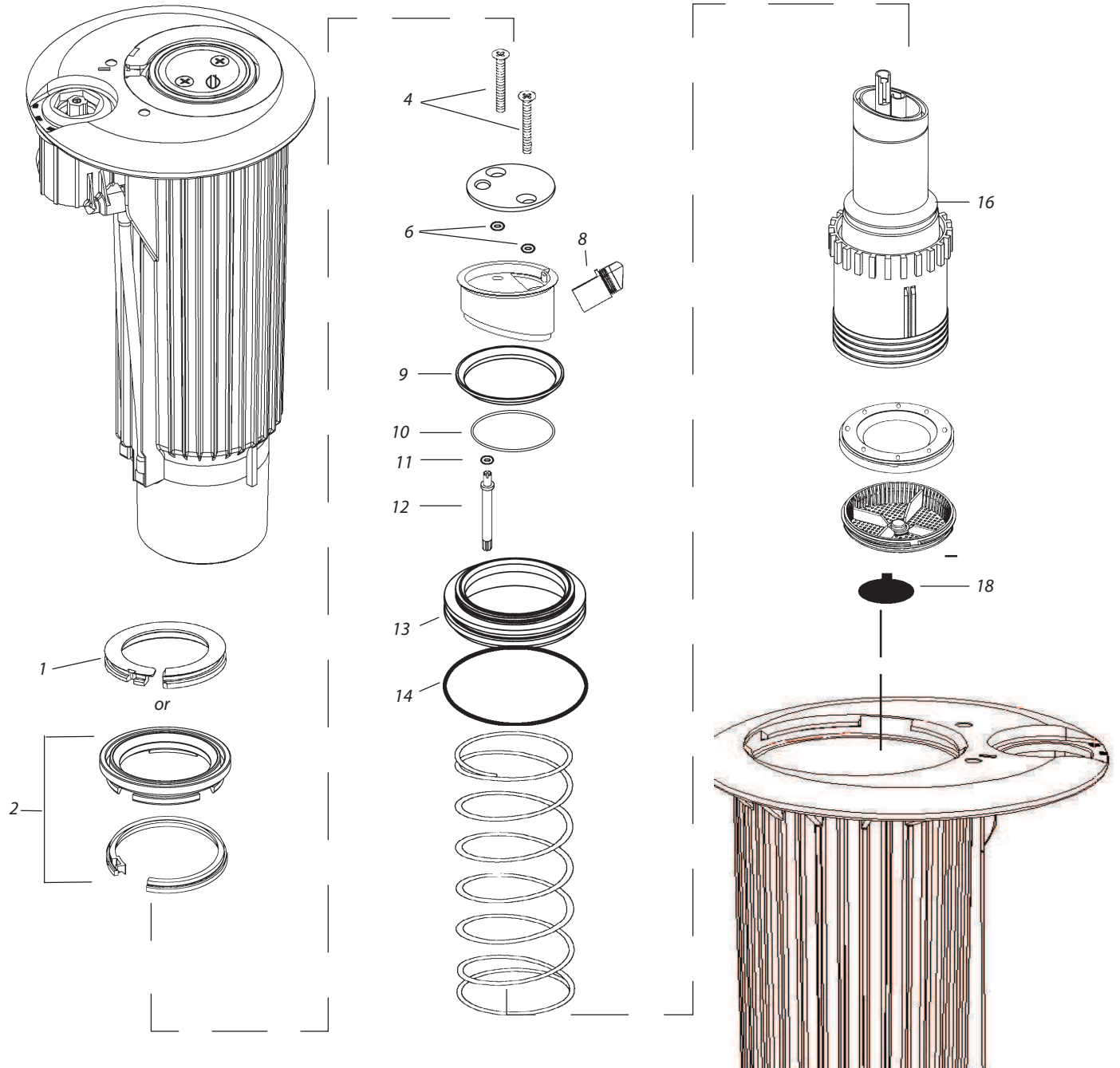






<b>Ref.</b>	<b>Part Description</b>	<b>Qty.</b>	<b>500-E</b>	<b>500-S/H</b>	<b>500B</b>
<b>SNAP RINGS</b>					
1	Snap Cover	1	21192101	21192101	21192101
2	Included in Rubber Cover Kit	1	—	—	211355
<b>COVER ASSEMBLY</b>					
4	Self-Tapping Screw	2	210974	210974	210974
6	Screw O-Ring	2	211236	211236	211236
	Rubber Cover Kit	1	—	—	211355
<b>NOZZLES</b>					
7	Nozzle Housing - Black	1	21035602	21035602	21035602
8	Range Nozzle Assembly (A)	1	213500xx	213500xx	213500xx
9	Retract Seal	1	210354	210354	210354
16	Seal-a-Matic™ Sreen Assy (B/BRC Only)	1			
<b>BEARING / RISER-MOTOR ASSEMBLY</b>					
10	Nozzle Housing O-Ring	1	210366	210366	210366
11	Bearing Guide Assy, STD	1	211147	—	—
11	Bearing Guide Assy, LO-FLOW	1	211263	211263	211263
12	Bearing Guide O-Ring	1	211242	211242	211242
14	Pop-up Seal (White)	1	210399	210399	210399

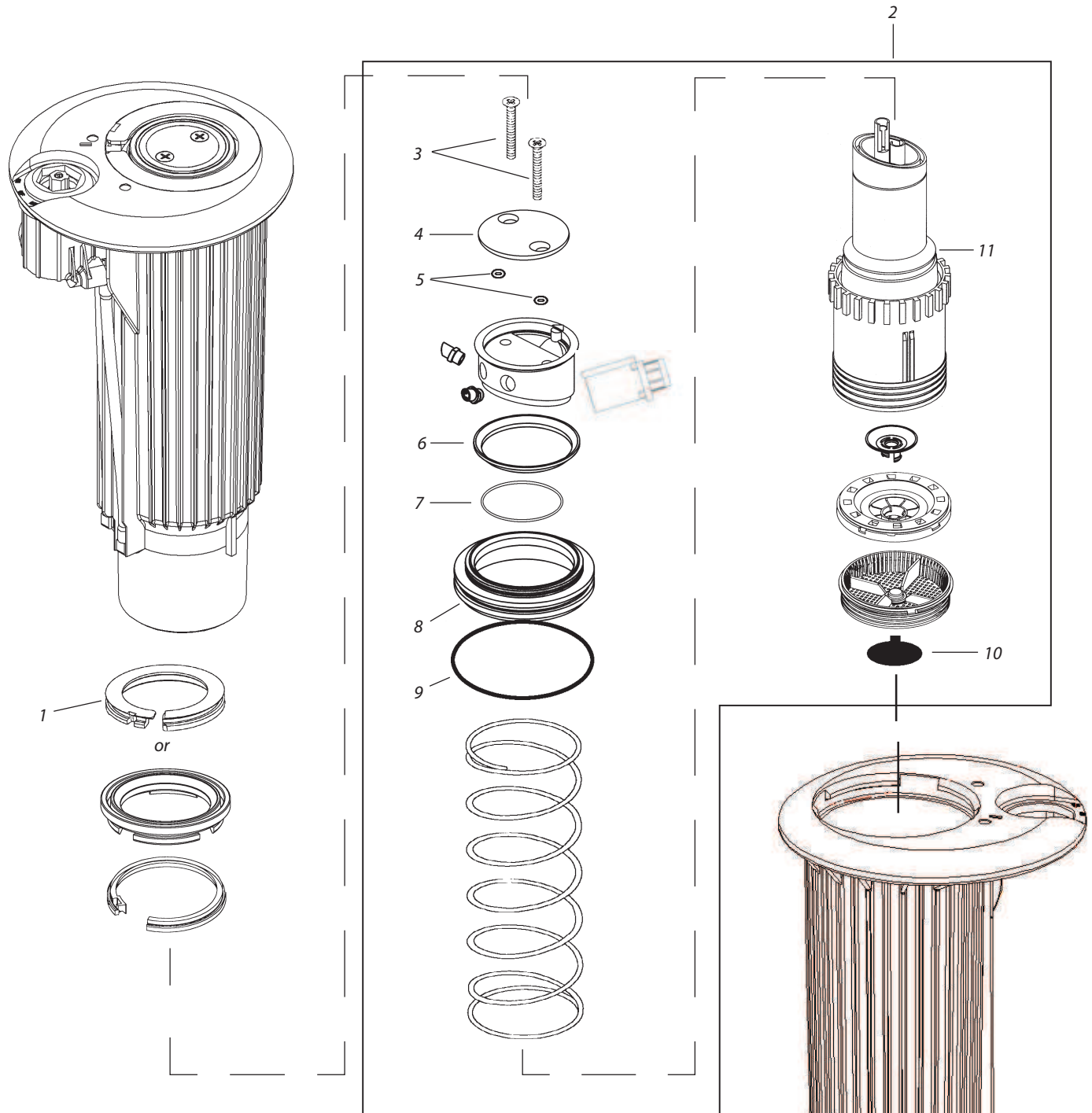
(A) Specify Nozzle Size xx when ordering. Available in # 53, 54.





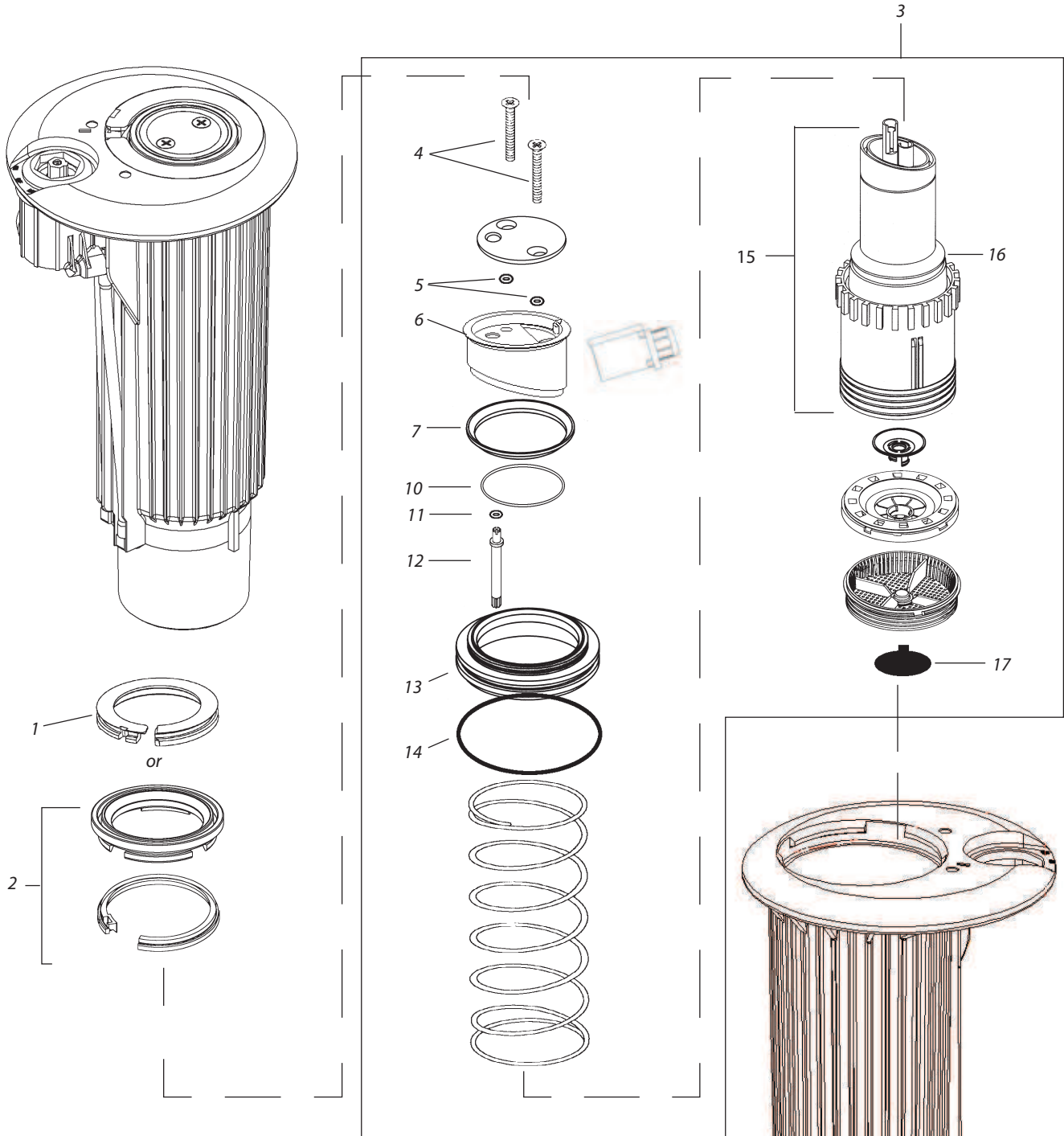
<b>Ref.</b>	<b>Part Description</b>	<b>Qty.</b>	<b>550-E</b>	<b>550-S/H</b>	<b>550B</b>
<b>SNAP RINGS</b>					
1	Snap Cover	1	21192101	21192101	21192101
2	Included in Rubber Cover Kit	1	—	—	211355
<b>COVER ASSEMBLY</b>					
4	Self-Tapping Screw	2	210974	210974	210974
6	Screw O-ring	2	211236	211236	211236
<b>NOZZLES</b>					
8	Range Nozzle Assembly (A)	1	213500xx	213500xx	213500xx
9	Retract Seal	1	210354	210354	210354
18	Seal-a-Matic™ Screen Assy	1	—	—	211292
<b>BEARING / RISER-MOTOR ASSEMBLY</b>					
10	Nozzle Housing O-Ring	1	210366	210366	210366
11	Arc Adjustment Stem O-Ring	1	211236	211236	211236
12	Arc Adjustment Stem	1	210420	210420	210420
13	Bearing Guide Assy, STD	1	211147	—	—
13	Bearing Guide Assy, LO-FLOW	1	211263	211263	211263
14	Bearing Guide O-Ring	1	211242	211242	211242
16	Pop-up Seal (White)	1	210399	210399	210399

(A) Specify Nozzle Size xx when ordering. Available in # 53, 54.



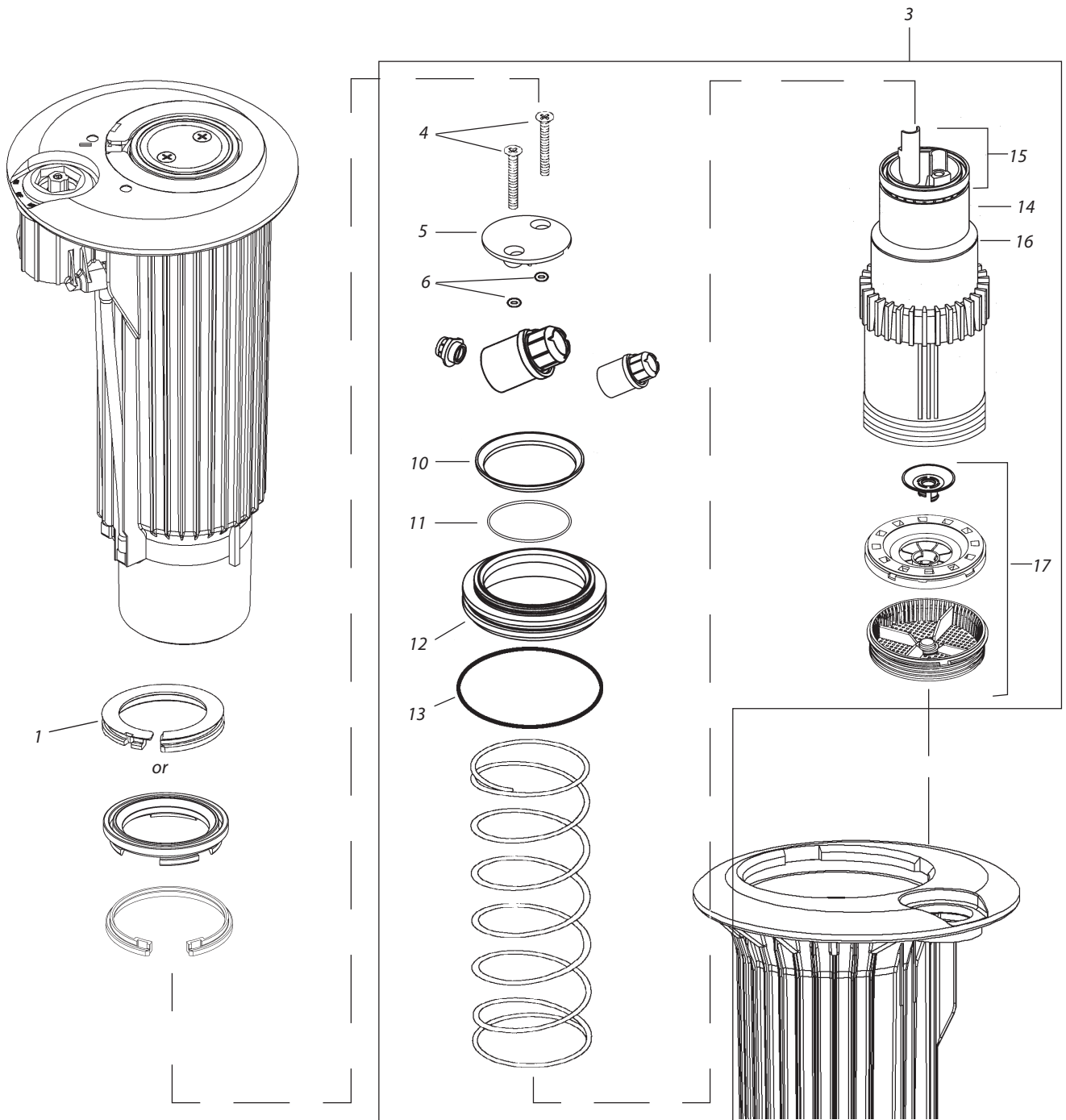


<b>Ref. Part Description</b>	<b>Qty.</b>	<b>700-E</b>	<b>700-S/H</b>	<b>700B</b>
<b>SNAP RINGS</b>				
1 Snap Cover	1	21192101	21192101	21192101
<b>INTERNAL ASSEMBLY</b>				
2 Internal Assembly	1	—	—	21460040
<b>COVER ASSEMBLY</b>				
3 Self-Tapping Screw	2	210974	210974	210974
4 Housing Cover	1	210252	210252	210252
5 Cover Screw O-Ring	2	211236	211236	211236
Rubber Cover Kit	1	—	—	211355
<b>NOZZLES</b>				
6 Retract Seal	1	210354	210354	210354
10 Seal-a-Matic Screen Assy (B Only)	1	—	—	211292
<b>BEARING / RISER-MOTOR ASSEMBLY</b>				
7 Nozzle Housing O-Ring	1	210366	210366	210366
8 Bearing Guide Assy, STD	1	211147	—	—
8 Bearing Guide Assy, LO-FLOW	1	211263	211263	211263
9 Bearing Guide O-Ring	1	211242	211242	211242
11 Pop-up Seal (White)	1	210399	210399	210399



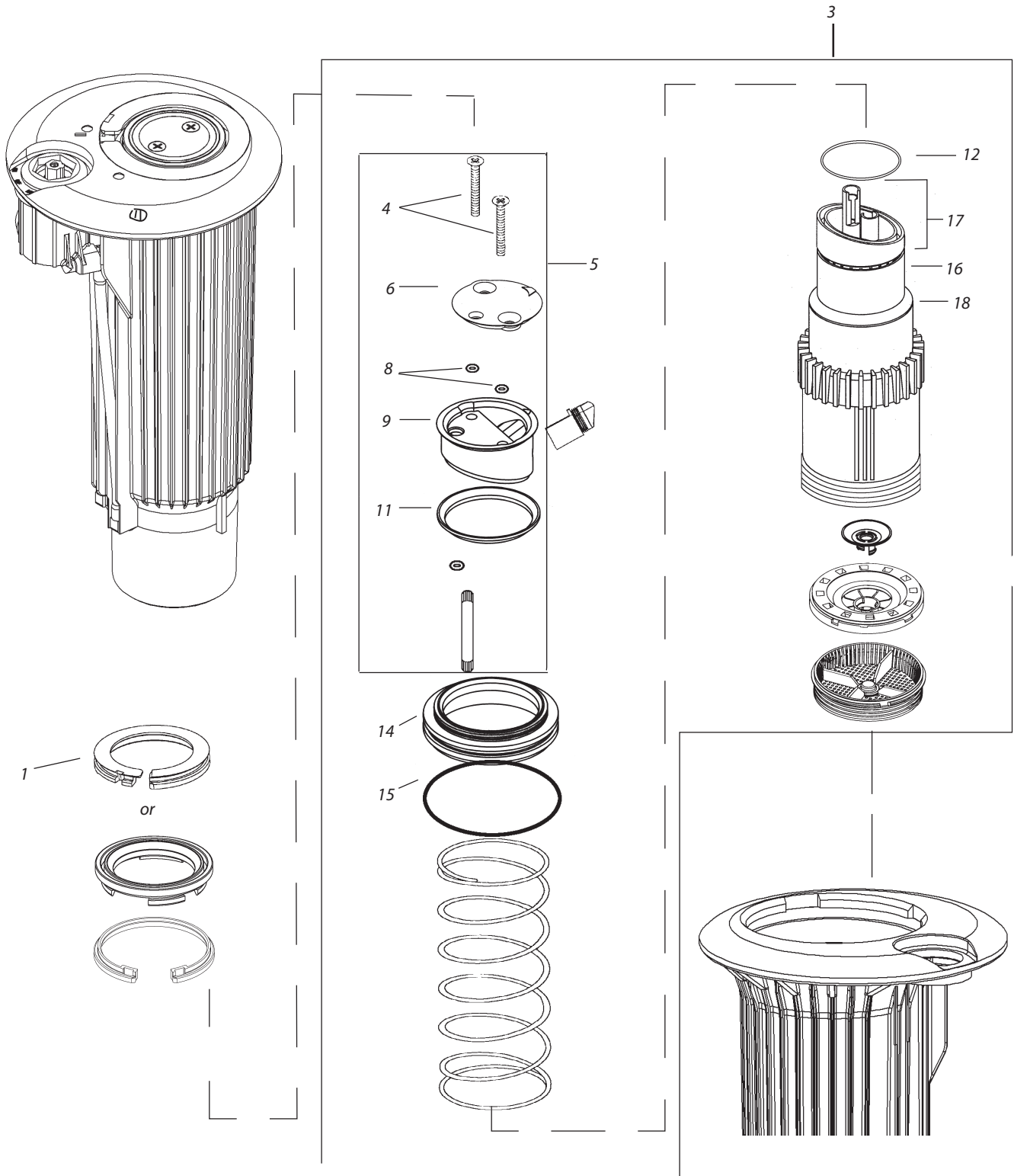


<b>Ref.</b>	<b>Part Description</b>	<b>Qty.</b>	<b>750-E</b>	<b>750-S/H</b>	<b>750B</b>
<b>SNAP RINGS</b>					
1	Snap Cover	1	21192101	21192101	21192101
2	Rubber Cover Kit	1	—	—	210355
<b>INTERNAL ASSEMBLY</b>					
3	Internal Assembly	1	—	—	21465140
<b>COVER ASSEMBLY</b>					
4	Self-Tapping Screw	2	210974	210974	210974
5	Cover Screw O-Ring	2	211236	211236	211236
	Rubber Cover Kit	1	—	—	211355
<b>NOZZLES</b>					
6	Dual-Spreader™ Nozzle Housing	1	21198201	21198201	21198201
7	Retract Seal	1	210354	210354	210354
17	Seal-a-Matic Screen Assy	1	—	—	211292
<b>BEARING / RISER-MOTOR ASSEMBLY</b>					
10	Nozzle Housing O-Ring	1	210366	210366	210366
11	Arc Adjustment Stem O-Ring	1	211236	211236	211236
12	Arc Adjustment Stem	1	210420	210420	210420
13	Bearing Guide Assy, STD	1	211147	—	—
13	Bearing Guide Assy, LO-FLOW	1	211263	211263	211263
14	Bearing Guide O-Ring	1	211242	211242	211242
15	Riser Motor Assembly	1	21475100	21475100	21475100
16	Pop-up Seal (White)	1	210399	210399	210399





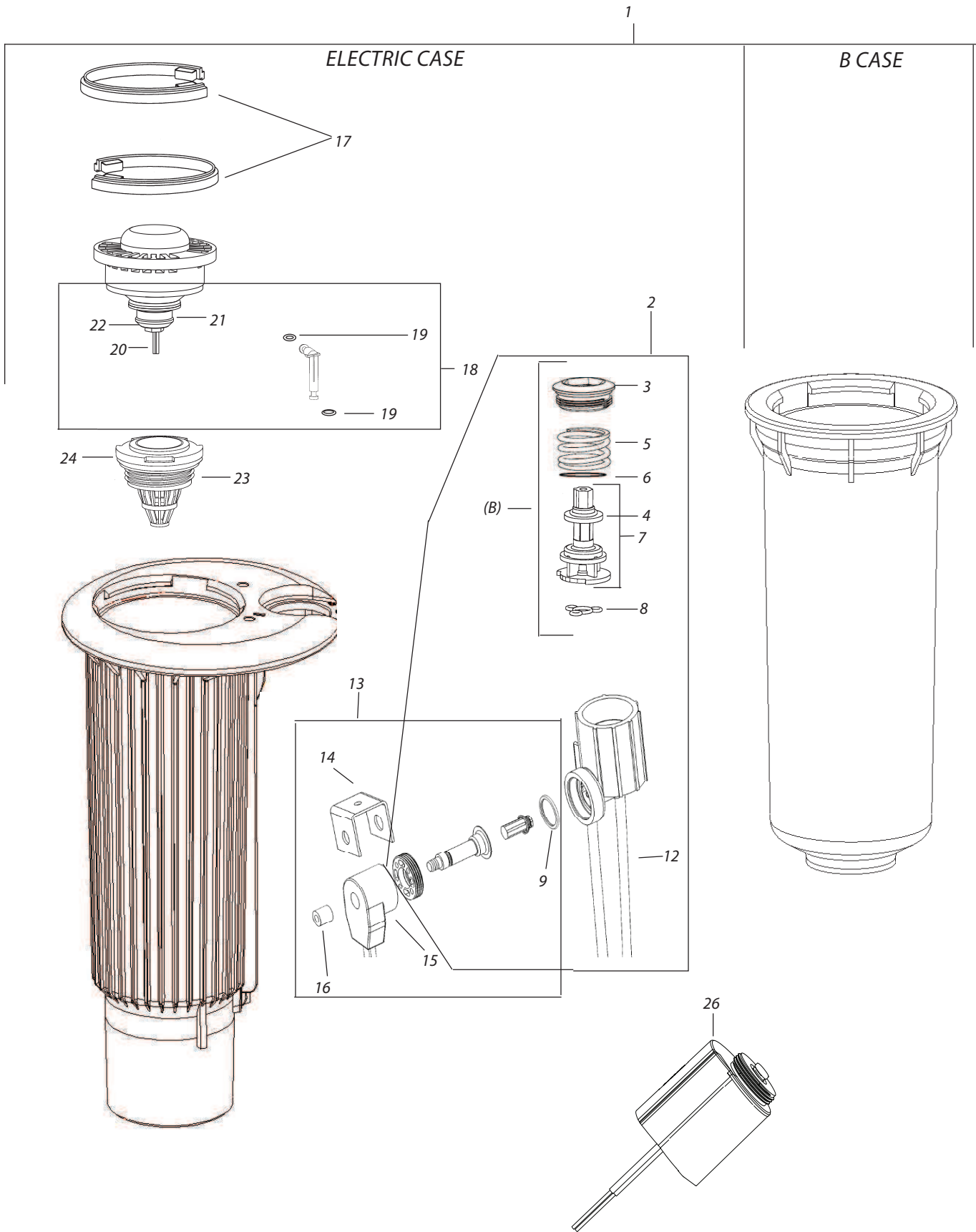
<b>Ref.</b>	<b>Part Description</b>	<b>Qty.</b>	<b>900-E</b>	<b>900-S/H</b>
<b>SNAP RINGS</b>				
1	Snap Cover (all models)	1	21193401	21193401
<b>INTERNAL ASSEMBLY</b>				
3	Internal Assembly	1	21078660	21078660
<b>COVER ASSEMBLY</b>				
4	Self-Tapping Screw	2	210975	210975
5	Housing Cover	1	211966	211966
6	Screw O-Ring	2	209778	209778
<b>NOZZLES</b>				
10	Retract Seal	1	210231	210231
17	Stator/Screen Kit	1	210232	210232
<b>BEARING / RISER-MOTOR ASSEMBLY</b>				
11	Nozzle Housing O-Ring	1	210168	210168
12	Bearing Guide Assy, STD	1	211460	—
12	Bearing Guide Assy, LO-FLOW	1	211461	211461
13	Bearing Guide O-Ring	1	212383	212383
14	Riser Motor Assembly	1	209836	209836
15	Nozzle Base Replacement Kit w/seals	1	212060	212060
16	Pop-up Seal (White)	1	209781	209781





<b>Ref.</b>	<b>Part Description</b>	<b>Qty.</b>	<b>950-E</b>	<b>950-S/H</b>
<b>SNAP RINGS</b>				
1	Snap Cover (all models)	1	21193401	21193401
<b>INTERNAL ASSEMBLY</b>				
3	Internal Assembly (B)	1	211442xx	211442xx
<b>COVER ASSEMBLY</b>				
4	Self-Tapping Screw	2	210975	210975
5	One Piece Arc Adjust Conversion Kit(A)	1	212893	212893
6	Housing Cover (on & after 11/06) (A)	1	21282001	21282001
8	Screw O-ring	2	209778	209778
<b>NOZZLES</b>				
9	Nozzle Housing-Black(on & after 11/06)(A)	1	212822	212822
11	Retract Seal	1	210231	210231
19	Stator/Screen Kit	1	210232	210232
<b>BEARING / RISER-MOTOR ASSEMBLY</b>				
12	Nozzle Housing O-Ring	1	210436	210436
14	Bearing Guide Assy, STD	1	211460	—
14	Bearing Guide Assy, LO-FLOW	1	211461	211461
15	Bearing Guide O-Ring	1	212383	212383
16	Riser Motor Assembly	1	210439	210439
17	Nozzle Base Replacement Kit w/seals	1	212061	212061
18	Pop-up Seal (White)	1	209781	209781

- (A) One Piece Arc Adjust incorporated 11/06. Prior to 11/06. Upgrade to the One Piece Arc Adjust Kit. Part # 212893.
- (B) Specify Nozzle Size xx when ordering. Available in # 28,30

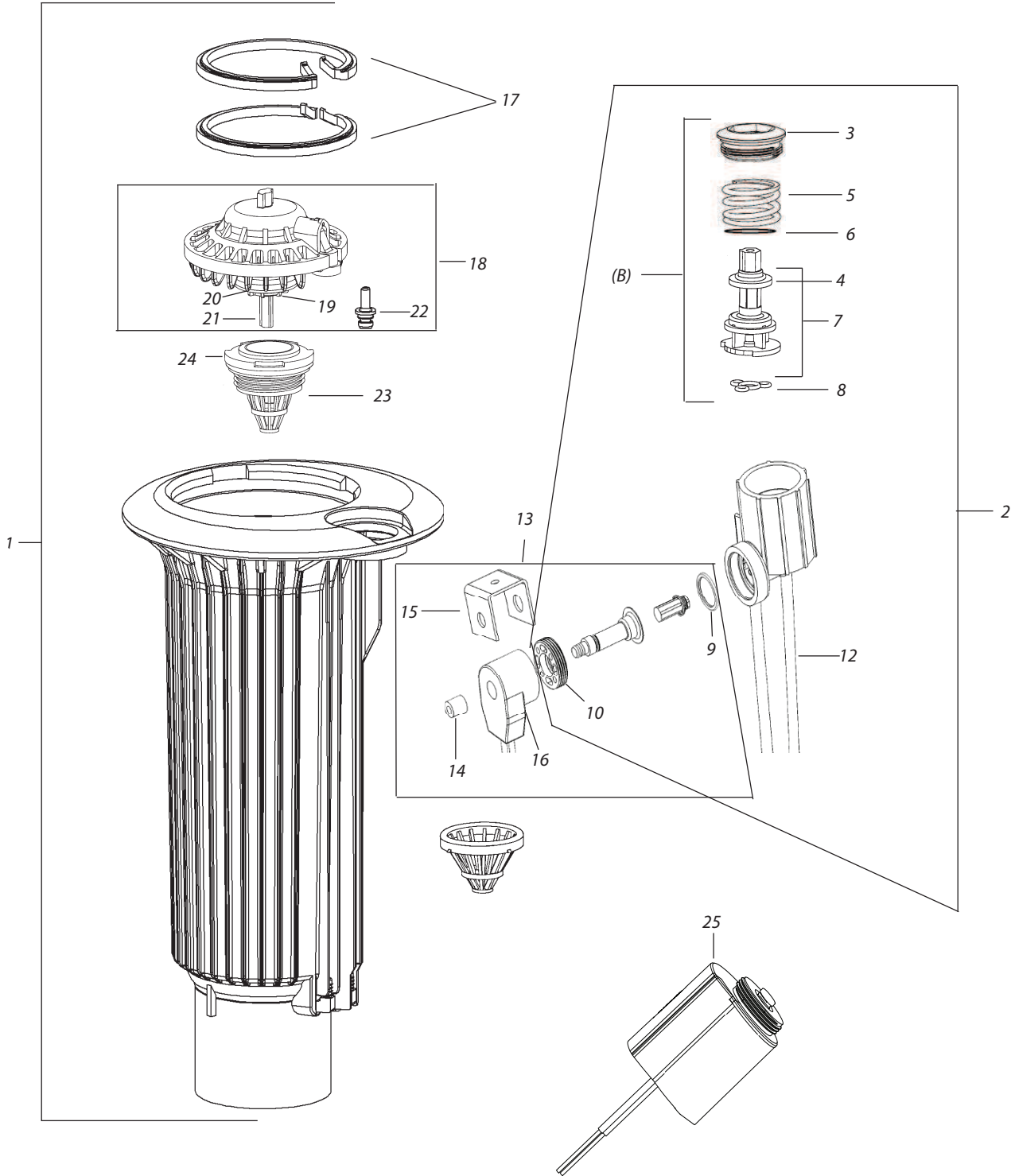




Ref. Part Description	Qty.	Electric	SAM/Hydraulic	B case	IC
<b>CASE ASSEMBLIES</b>					
1 EAGLE 700 / 750 Case Assembly (ACME)	1	—	—	21148903	—
1 EAGLE 500 / 550 Case Assembly (ACME)	1	—	—	21148903	—
2 PRS/Selector Housing Assy (>6/95)	1	211418	—	—	211418
3 Selector Cap	1	(A)	—	—	(A)
4 Stem Cover O-Ring	1	(A)	—	—	(A)
5 Compression Spring	1	(A)	—	—	(A)
6 Selector Spring Washer	1	(A)	—	—	(A)
7 PRS Cartridge, Upper Stem (Black)	1	(A)	—	—	(A)
8 Selector Seal (Green)	1	(A)	—	—	(A)
9 Solenoid Base O-Ring	1	211237	—	—	—
12 Tubing	2	(B) 211607	(B) 211607	—	—
13 Solenoid Assy	1	20692001	—	—	—
14 U-Frame	1	212124S	—	—	—
15 Encapsulated Coil	1	602118	—	—	—
16 Solenoid Retainer	1	627167	—	—	—
17 Lower Snap Ring	2	210470	210470	—	210470
18 Valve Assembly (700 / 750 Series)	1	211468	212322	—	211468
18 Valve Assembly (500 / 550 Series)	1	—	212322	—	—
19 Probe O-Ring	2	211238	211238	—	211238
20 Universal Filter	1	20609202	—	—	20609202
21 Inlet Rubber Seal	1	212328S	—	—	212328S
22 Seal Nut	1	211174	—	—	211174
23 Top-Serviceable Rock Screen (TSRS) (>4/98) (White)	1	21171401	21171401	—	21171401
24 O-Ring for TSRS (Yellow)	1	210366	210366	—	210366
26 Golf Black Solenoid (GBS)	1	213462C	—	—	—
<b>KITS</b>					
— Rubber Cover Kit (B case Only)	1	—	—	211355	—

(A) Included in PRS/Selector Repair Kit: Pre 4/01 use # 213366 (includes rust seal.), Post 4/01 use #212150 (includes green seal).

(B) Tubing Repair Kit includes 20 tubes, ferrules and metal bars.



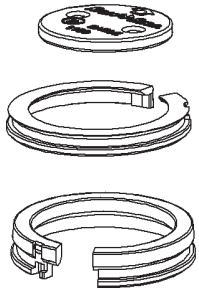


Ref.	Part Description	Qty.	Electric	SAM / Hydraulic	IC
CASE ASSEMBLIES					
1	Case Assembly (ACME)	1	(A) 212475xx	212477	—
2	PRS/Selector Housing Assy (>6/95)	1	211418	—	211418
3	Selector cap	1	(B)	—	(B)
4	Stem Cover O-Ring	1	(B)	—	(B)
5	Compression Spring	1	(B)	—	(B)
6	Selector Washer	1	(B)	—	(B)
7	PRS Cartridge	1	(B)	—	(B)
8	Selector Seal (Green)	1	(B)	—	(B)
9	Solenoid Base O-Ring	1	211237	—	—
10	Base Nut	1	602606	—	—
12	Tubing	1	(C) 211607	(C) 211607	—
13	Solenoid Assembly Kit	2	20692001	—	—
14	Solenoid Retainer	1	627167	—	—
15	Solenoid U-Frame	1	2121245	—	—
16	Encapsulated Coil	1	602118	—	—
17	Lower Snap Ring (White)	2	208396	208396	208396
18	HPDV Valve Assembly	1	211266	212323	211266
19	Seal Nut (White)	1	211174	—	211174
20	Rubber Inlet Seal	1	211197	2122205	211197
21	Universal Filter	1	20609202	—	20609202
22	Probe O-Ring (Yellow)	1	211238	211238	211238
23	Top-Serviceable Rock Screen (>9/98)	1	21171402	21171402	21171402
24	Rock Screen O-ring (Grey)	1	210366	210366	—
25	Golf Black Solenoid (GBS)	1	213462C	—	—

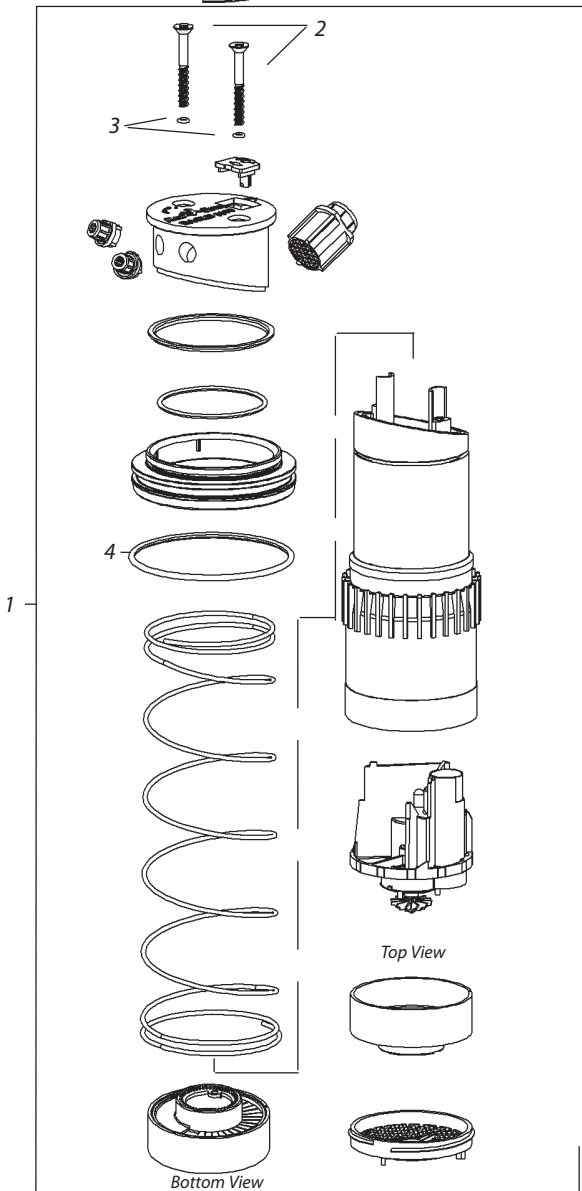
(A) For Electric Case Assemblies specify pressure setting xx when ordering. 03 or 03B = 80 psi (5,5 bars)

(B) Included in PRS/Selector Repair Kit: Pre 4/01 use Part # 213366 (includes rust color seal), Post 4/01 use Part # 212150

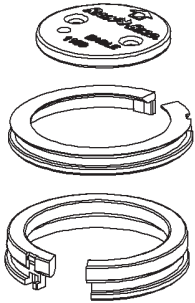
(C) Tubing repair Kit includes 20 tubes, ferrules and metal barbs.



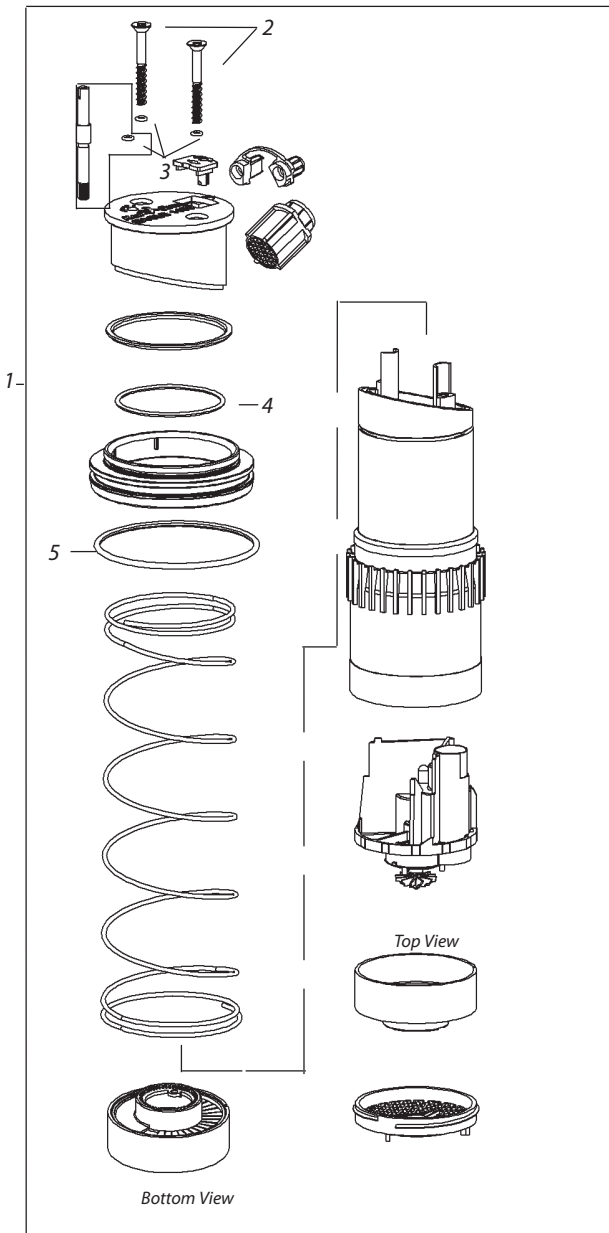
Ref.	Part Description	Qty	1100-E	1100-S	1100-H
<b>INTERNAL ASSEMBLY</b>					
1	Internal Assembly	1	—	—	—
<b>COVER ASSEMBLY</b>					
2	Self Tapping Screw	2	210975	210975	210975
3	Screw O-Ring	2	209778	209778	209778
<b>BEARING/RISER-MOTOR ASSEMBLY</b>					
4	Bearing Guide O-Ring	1	212383	212383	212383







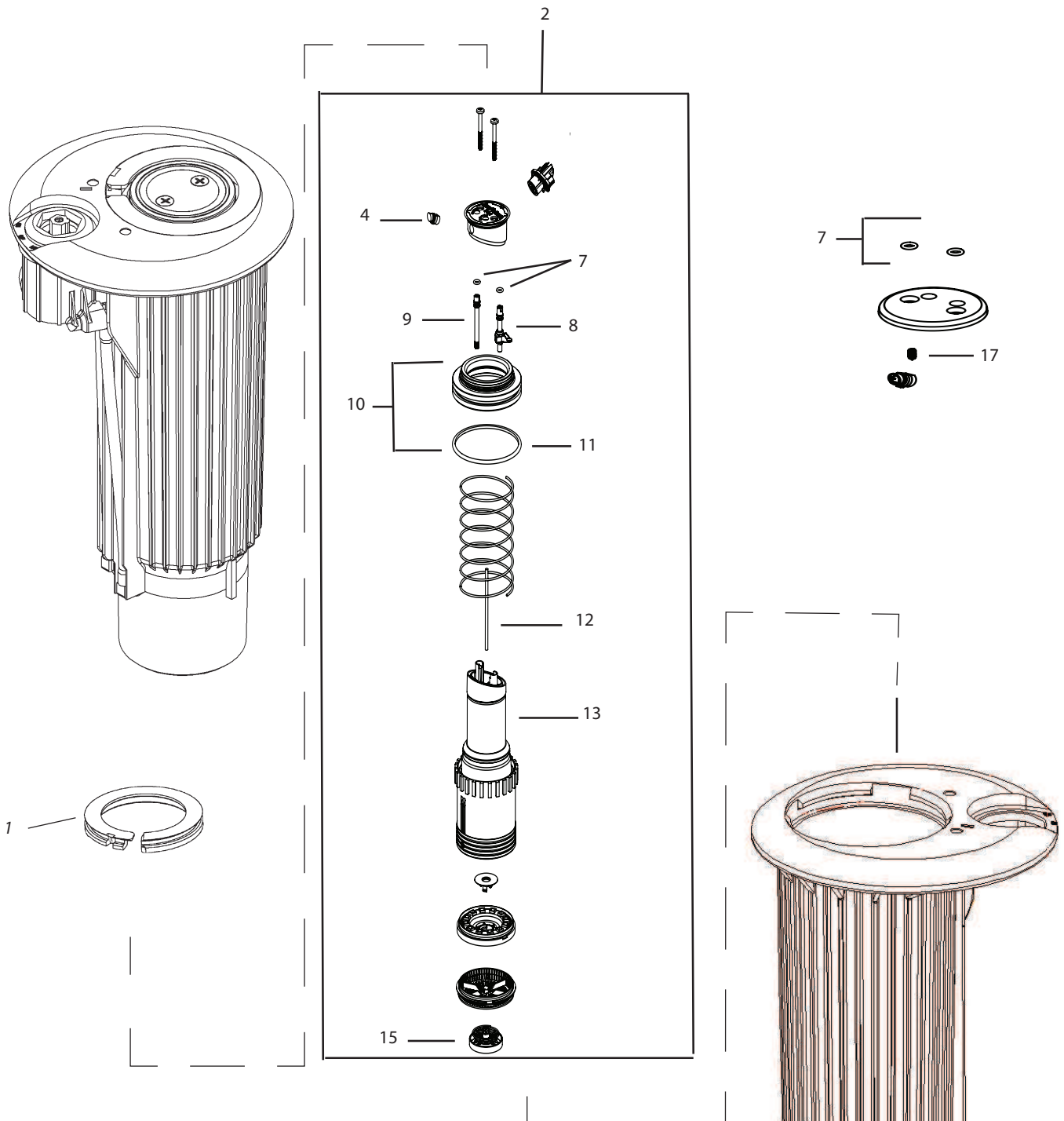
Ref.	Part Description	Qty	1150-E	1150-S	1150-H
<b>INTERNAL ASSEMBLY</b>					
1	Internal Assembly	1	21243963S	21243963S	21243963S
<b>COVER ASSEMBLY</b>					
2	Self Tapping Screw	2	210975	210975	210975
3	Screw O-Ring	3	209778	209778	209778
<b>BEARING/RISER-MOTOR ASSEMBLY</b>					
4	O-Ring Nozzle Housing				
5	Bearing Guide O-Ring	1	212383	212383	212383





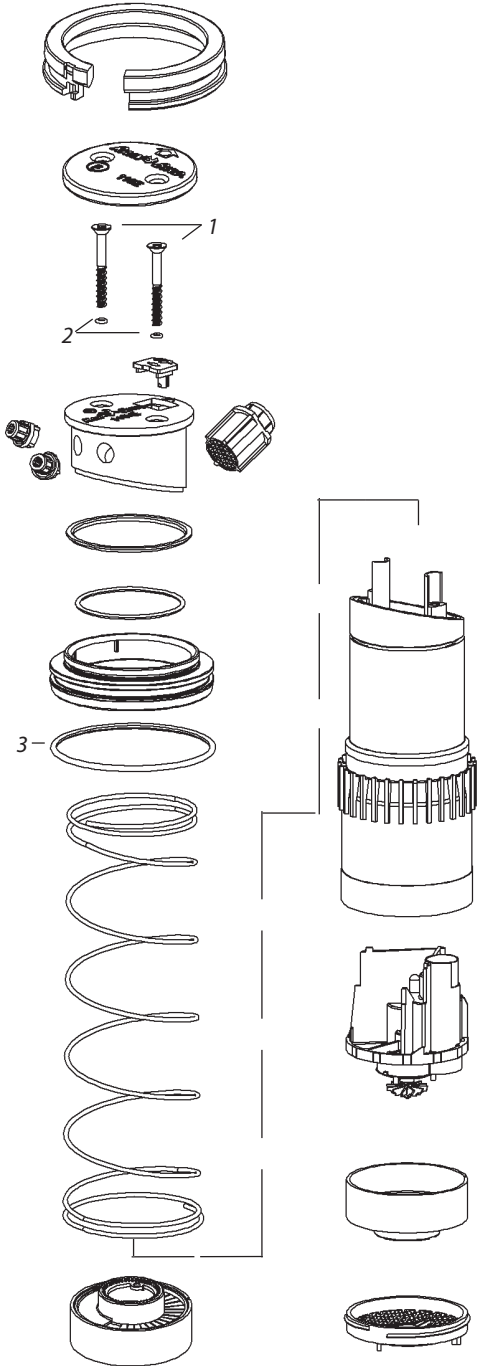


<b>Ref.</b>	<b>Part Description</b>	<b>Qty.</b>	<b>700-E</b>	<b>700-S/H</b>	<b>700B</b>
<b>SNAP RINGS</b>					
1	Snap Cover	1	21192101	21192101	21192101
<b>INTERNAL ASSEMBLY</b>					
2	Rain Bird 700 Internal Assembly	1	—	—	21460040
<b>BEARING GUIDE / MOTOR ASSEMBLY</b>					
9	Bearing Guide Assembly, Standard	1	211147	—	—
9	Bearing Guide Assembly, Low Flow	1	—	211263	211263
10	Bearing Guide O-ring	1	211242	211242	211242
13	SAM Screen Kit Block Models	1	211292	211292	211292
17	Pop-up Seal (White)	1	210399	210399	210399
<b>YARDAGE MARKER</b>					
14	O-ring (Cover, Adjust, & Lever)	2	211236	211236	211236
<b>DIFFUSER SCREW</b>					
16	700 / 751 Diffuser Screw Only	1	214757	214757	214757



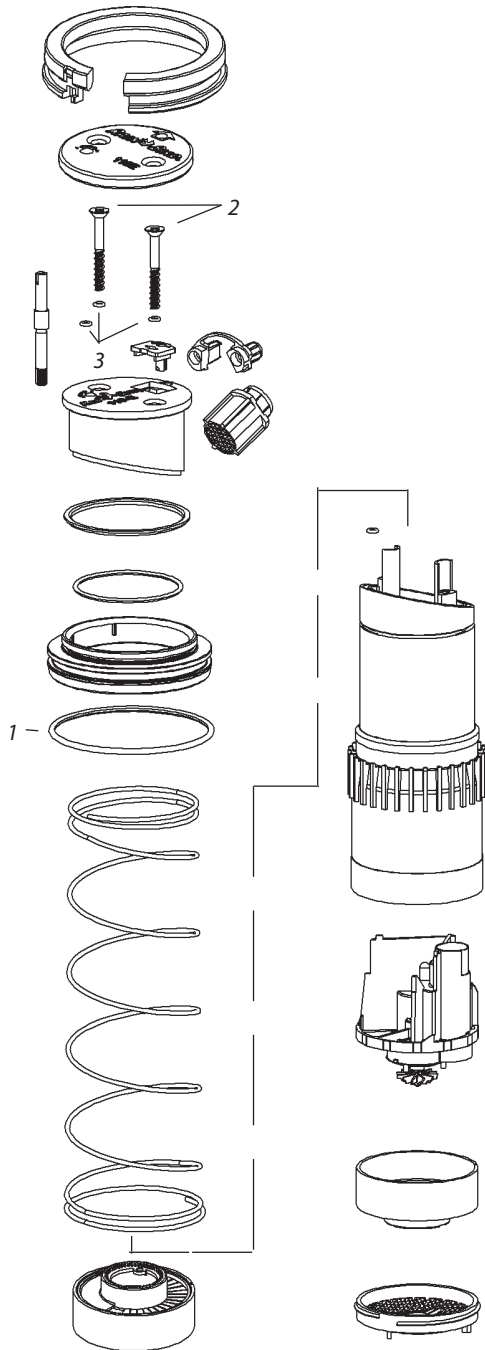


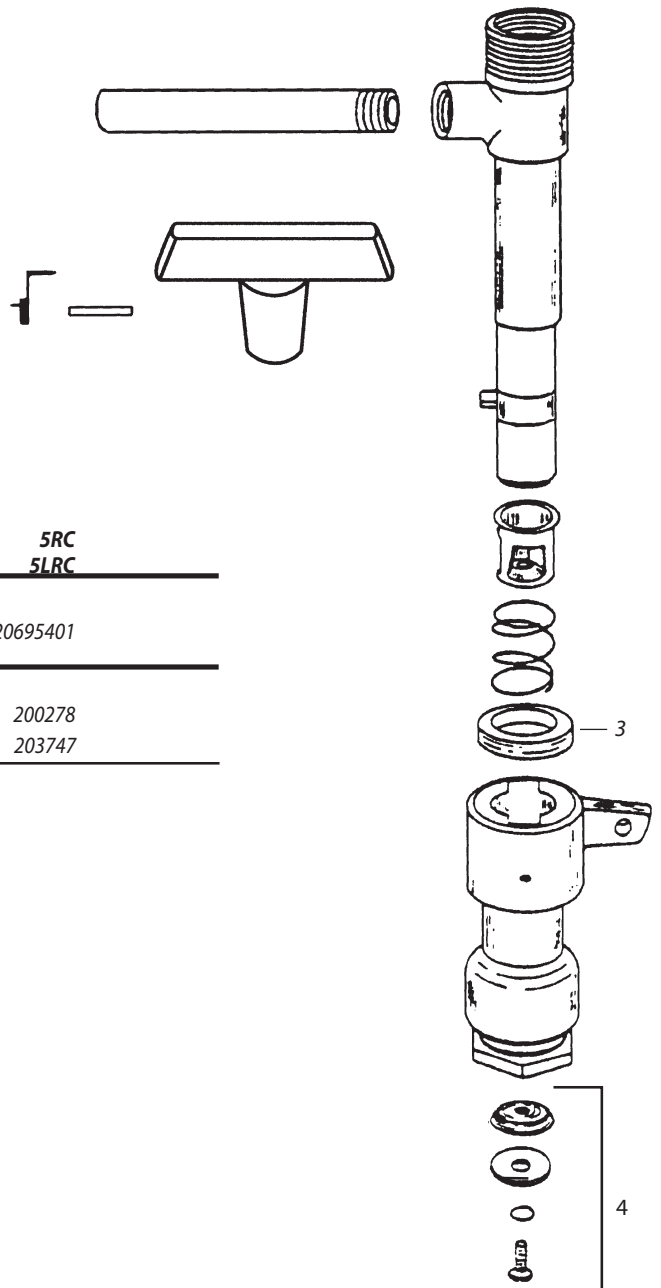
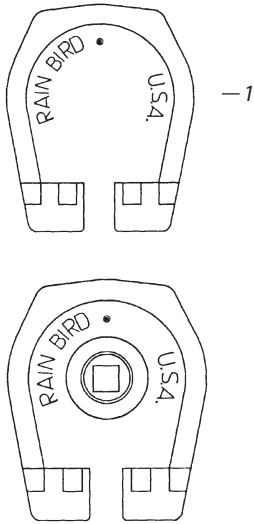
<b>Ref. Part Description</b>	<b>Qty.</b>	<b>751-E</b>	<b>751-S/H</b>	<b>751B</b>
<b>SNAP RINGS</b>				
1 Snap Cover	1	21192101	21192101	21192101
<b>INTERNAL ASSEMBLY</b>				
2 Rain Bird 751 Internal Assembly	1	—	—	21465140
<b>NOZZLE HOUSING AND NOZZLES</b>				
4 Nozzle Plug	1	211593	211593	211593
7 O-Ring (Cover, Adjust, & Lever)	2	211236	211236	211236
8 751 FC/PC Arm-Lever Assembly	1	214752	214752	214752
9 Arc Adjust Stem	1	210420	210420	210420
<b>BEARING GUIDE / MOTOR ASSEMBLY</b>				
10 Bearing Guide Assembly, Standard	1	211147	—	—
10 Bearing Guide Assembly, Low Flow	1	—	211263	211263
11 Bearing Guide O-ring	1	211242	211242	211242
12 751 FC-PC Trip Rod	1	214753	214753	214753
13 Rain Bird 751 Riser Motor Assembly	1	21475100	21475100	21475100
15 SAM Screen Kit Block Models	1	211292	211292	211292
19 Pop-up Seal (White)	1	210399	210399	210399
<b>DIFFUSER SCREW</b>				
17 700 / 751 Diffuser Screw Only	1	214757	214757	214757



Ref.	Part Description	Qty	115-E-FC
<b>COVER ASSEMBLY</b>			
1	Screw, Self Tapping #1/4-15	2	210975
2	O-Ring, Screw	2	209778
<b>BEARING/RISER-MOTOR ASSEMBLY</b>			
3	O-Ring, Bearing Guide	1	212383

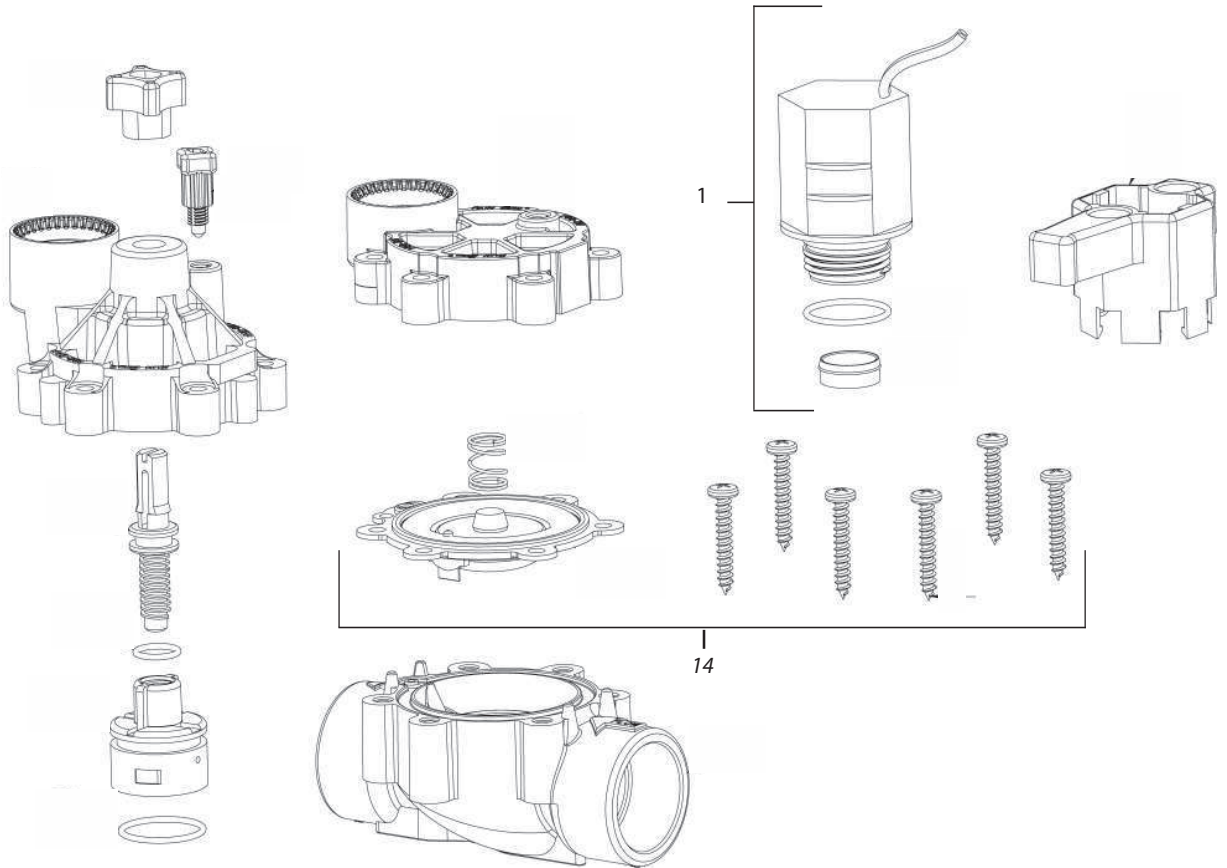
Ref.	Part Description	Qty	115-E-PC
<b>COVER ASSEMBLY</b>			
2	Screw, Self Tapping #1/4-15	2	210975
3	O-Ring, Screw	3	209778
<b>BEARING/RISER-MOTOR ASSEMBLY</b>			
1	O-Ring, Bearing Guide	1	212383



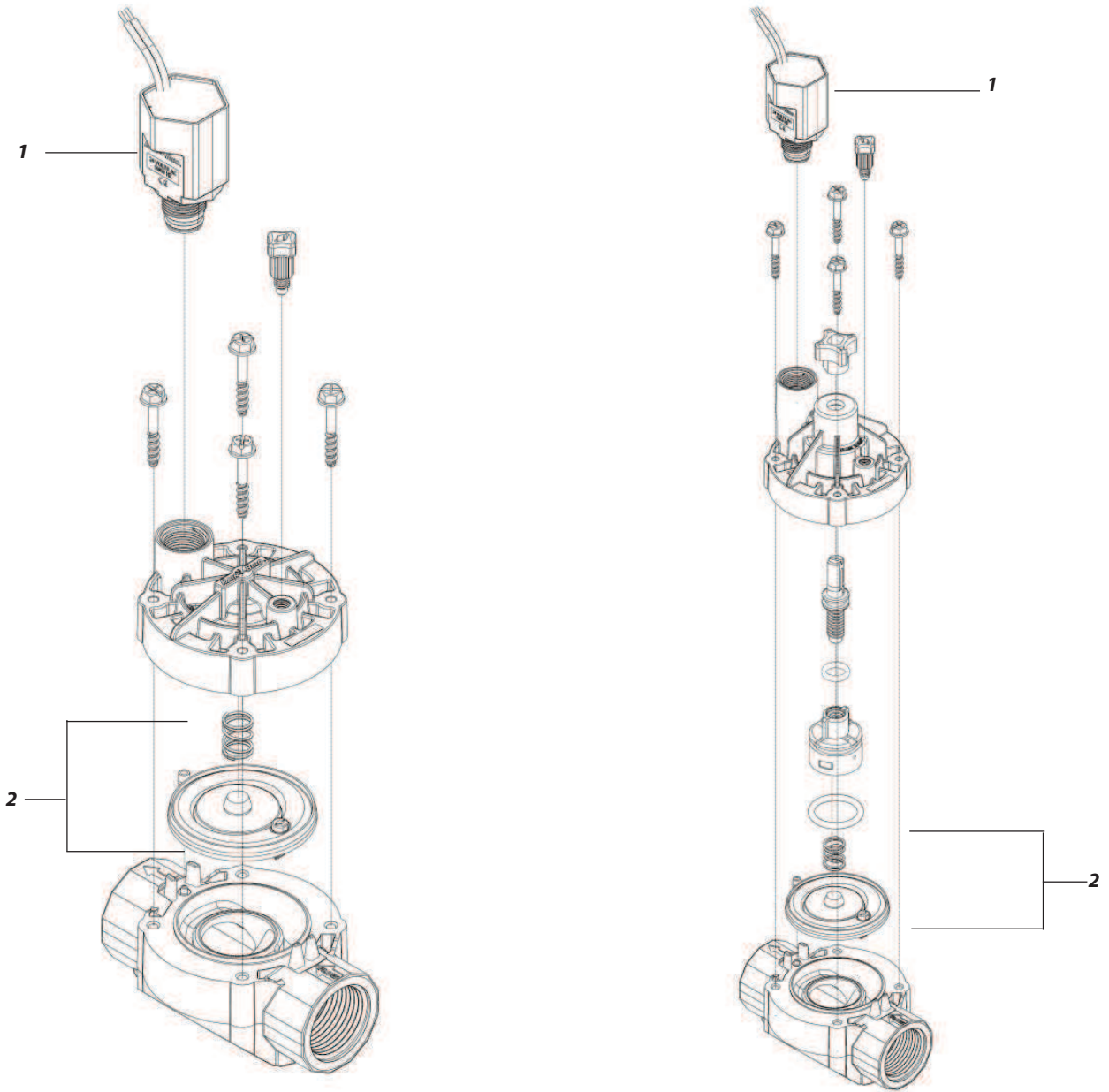


<u>Ref Part Description</u>	<u>3RC</u>	<u>5RC</u> <u>5LRC</u>
<b>COVER ASSEMBLY</b>		
1 Rubber cover, yellow (RC)	—	20695401
<b>VALVE ASSEMBLY</b>		
3 Gasket	—	200278
4 Repair kit	—	203747

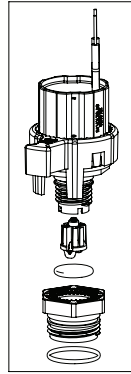
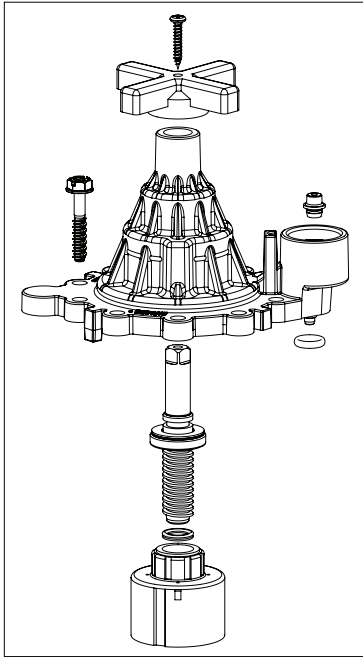




<b>Ref.</b>	<b>Part Description</b>	<b>075-DV</b>	<b>100-DV</b>	<b>100-DVF</b>	<b>LFV-075</b>
1	Solenoid	20858801	20858801	20858801	20858801
2	Diaphragm	21074603	21074603	21074603	—

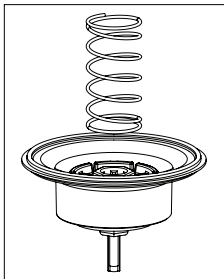


<b>Ref.</b>	<b>Part Description</b>	<b>HV / HVF</b>
1	Solenoid	236307
2	Diaphragm	231900

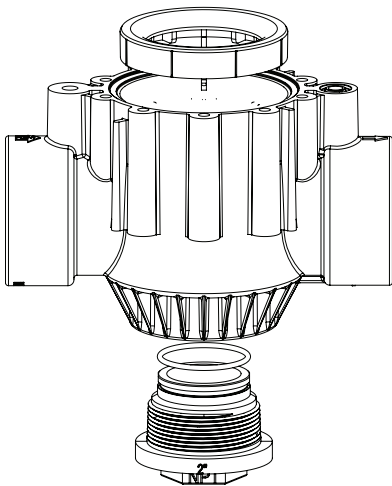


3

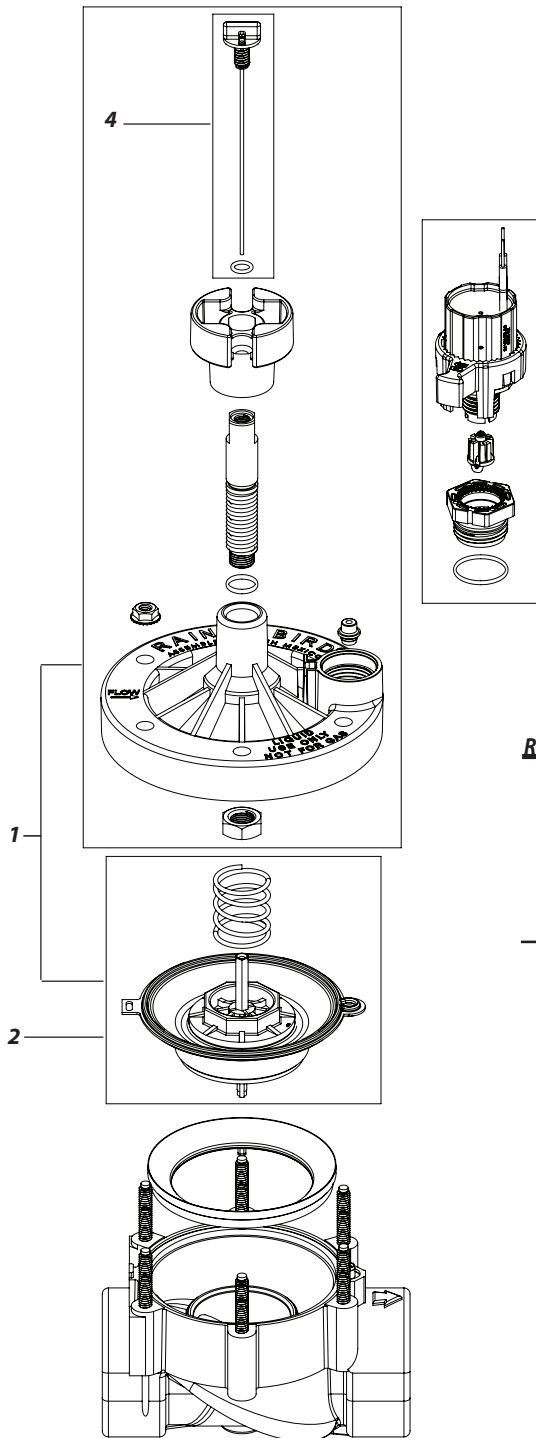
2



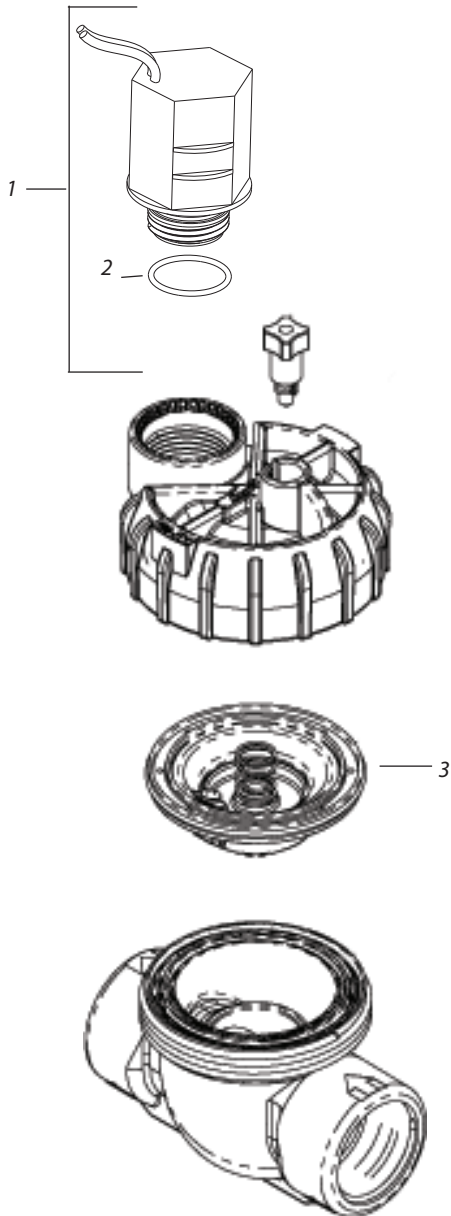
1



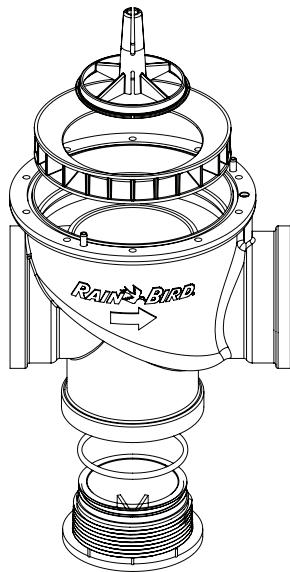
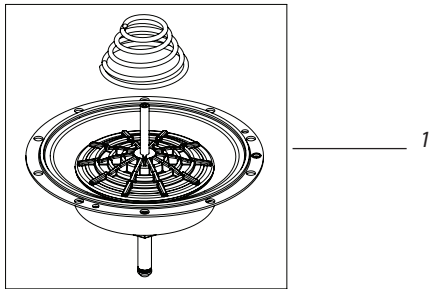
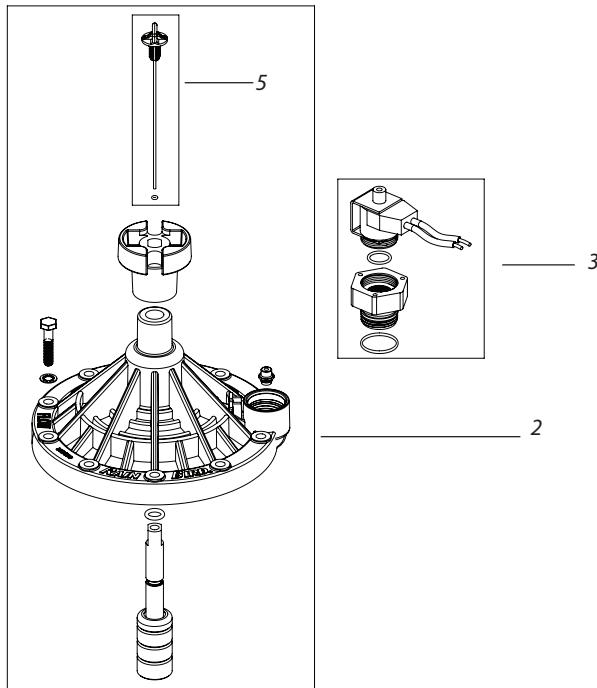
<b>Ref.</b>	<b>Part Description</b>	<b>100PGA</b>	<b>150PGA</b>	<b>200PGA</b>
1	Diaphragm Assembly	209792	209675	209005
2	Bonnet Assembly	210858	210454	210866
3	Solenoid Assembly	236239	236239	236239



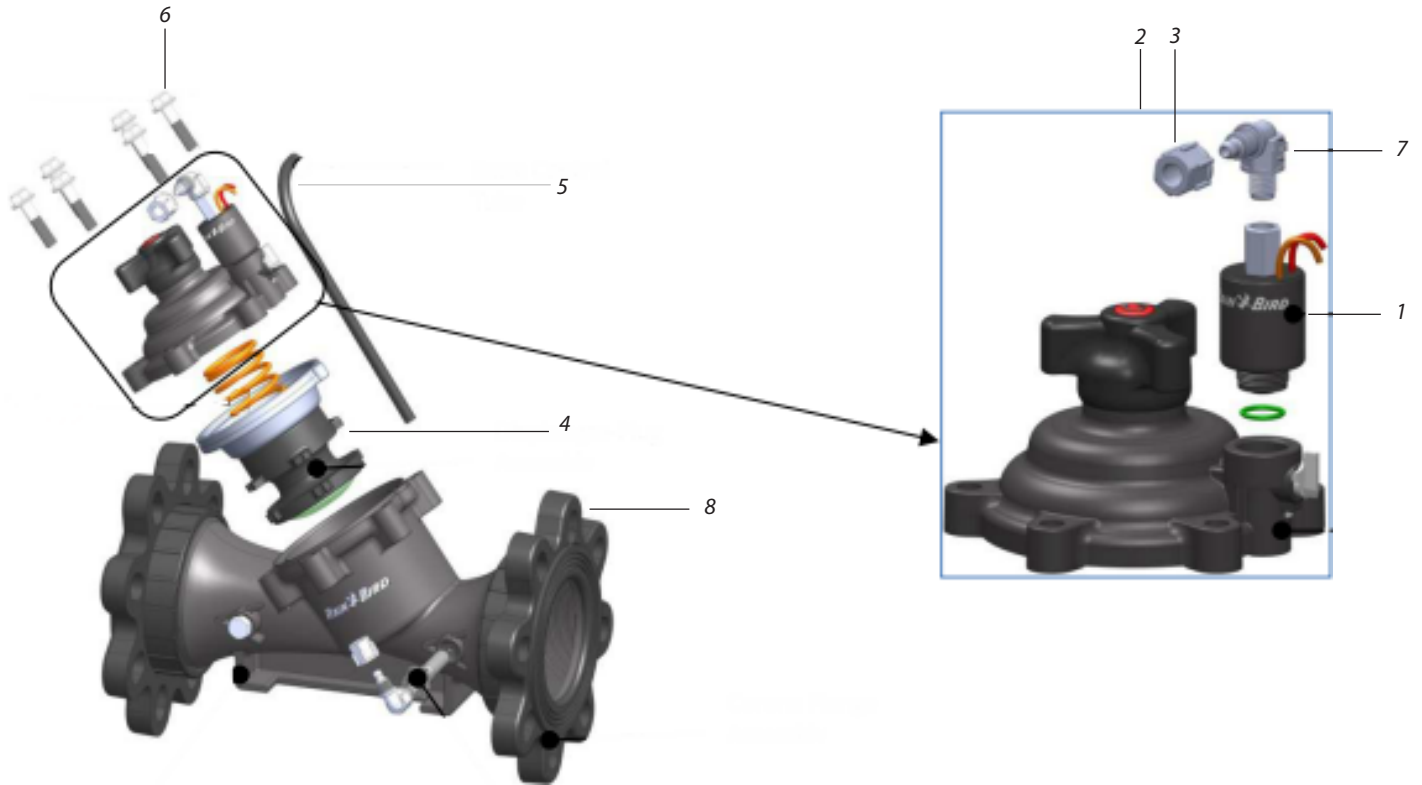
<b>Ref.</b>	<b>Part Description</b>	<b>100</b>	<b>150</b>	<b>200</b>
1	Bonnet + Diaphragm PEB	—	236482	236483
1	Bonnet + Diaphragm PESB	—	23648401	23648501
2	Diaphragm PEB	208143	—	—
2	Diaphragm PESB	20814402	—	—
3	Solenoid Assembly	236239	236239	236239
4	Bleed Screw Assembly	204152	204152	204152



<b>Ref.</b>	<b>Part Description</b>	<b>JTV100</b>	<b>JTV100SS</b>
1	Solenoid	20858801	
2	Solenoid o-ring	235532	
3	Diaphragm	231771	



<b>Ref. Part Description</b>	<b>300BPE</b>	<b>300BPES</b>
1 Diaphragm Assembly	231542	231542
2 Bonnet Assembly	231548	231548
3 BPE Solenoid Assembly	B31800	B31800
5 Bleed Screw Assembly	204152	204152

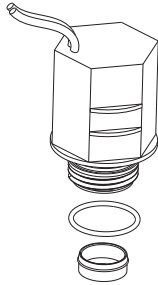


**Ref. Part Description 100**

1	24V AC Solenoid	71P52300
2	Bonnet with Flow Control Handle	71P52301
3	Acetal coupler for 8mm (1/8") tube	71P52302
4	Diaphragm / Plug Assembly	71P52303
5	8mm plastic tube (1 meter)	71P52304
6	Screws	71P52305
7	Acetal connector	71P52306
8	Corona flange Assembly (6 kits)	71P52309

**20858801**

Used on  
DV / JTV Valves



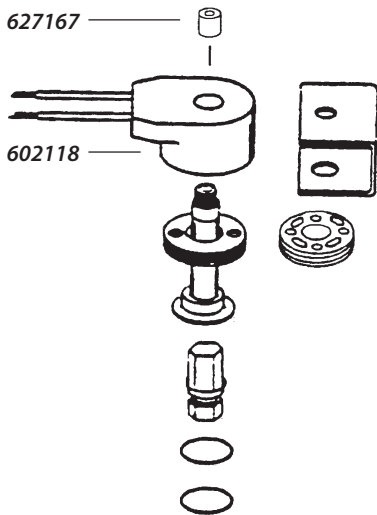
**236307**

Used on  
HV Valves



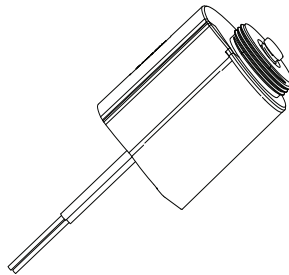
**20692001  
(OLD)**

Used on  
VIH Golf Rotors



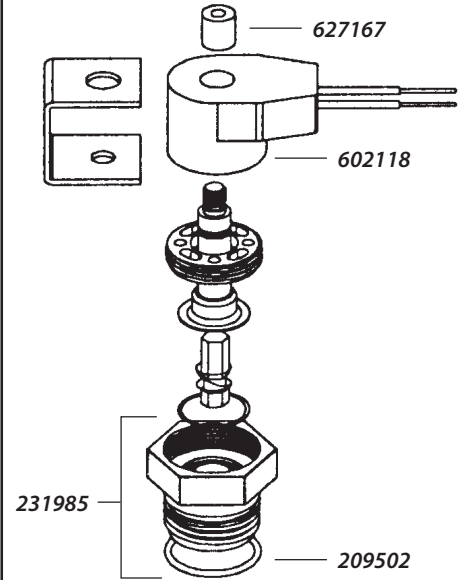
**213462C  
(GOLF BLACK SOLENOID)**

Used on  
VIH Golf Rotors



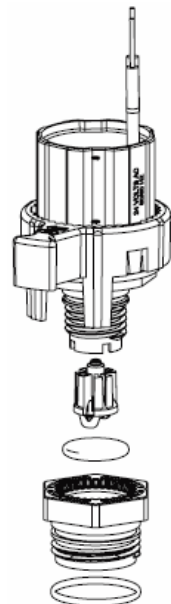
**B31800**

Used on  
BPE / BPES Valves

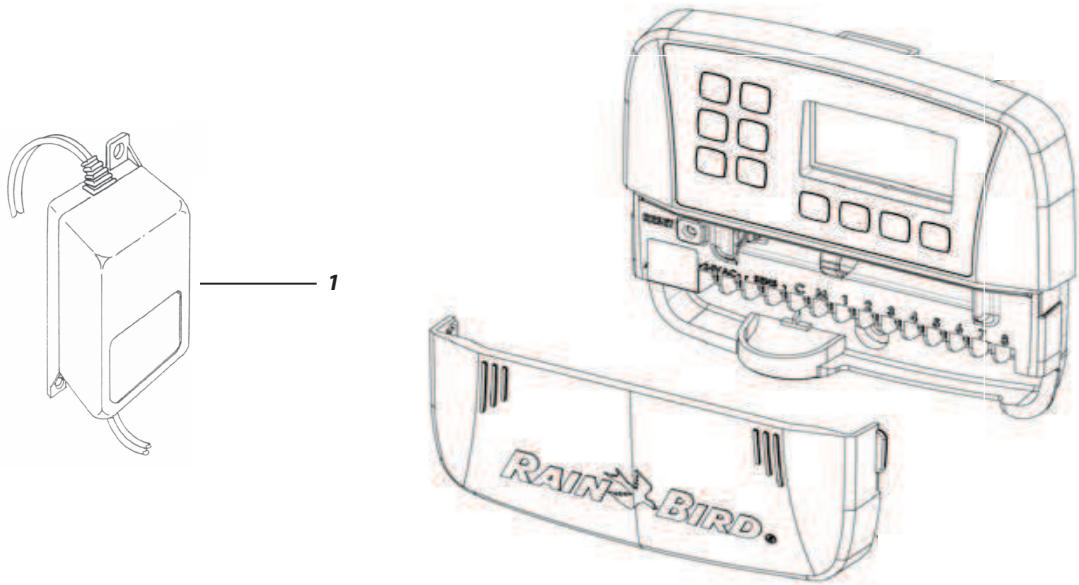


**236239**

Used on  
PGA / PEB / PESB Valves







<b>Ref.</b>	<b>Description</b>	<b>RZX-4i</b>	<b>RZX-6i</b>	<b>RZX-8i</b>
1	Transformer Intl (type C) 230V	63833601S	63833601S	63833601S

IMAGE-2/4/6 (POST 2000) / IMAGE (PRE 2000) / IRRI / ITC / IRC

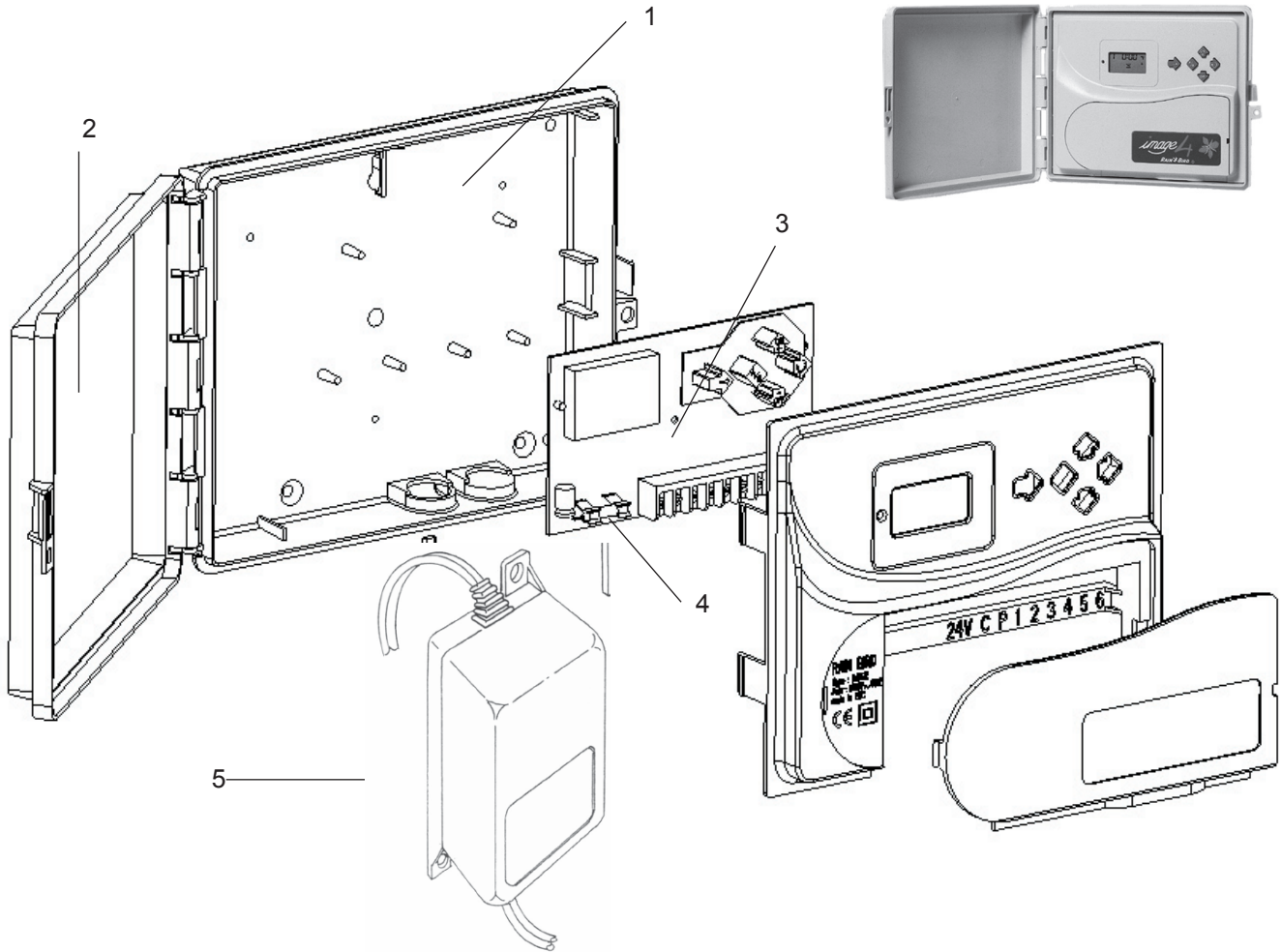


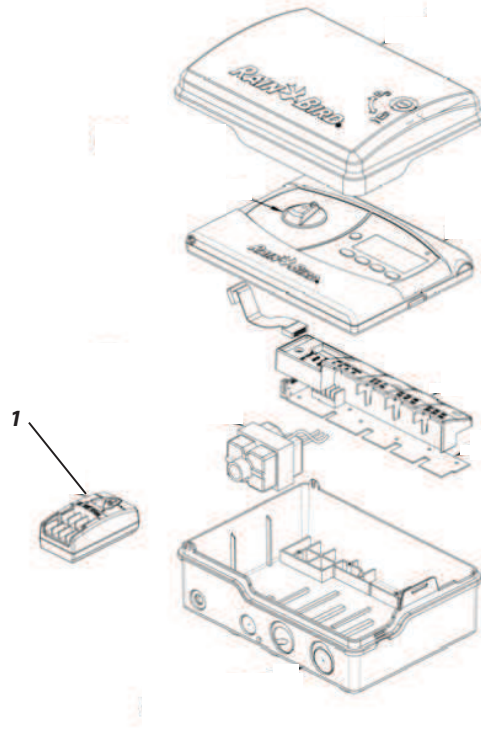
IMAGE (PRE 2000)

IRRI

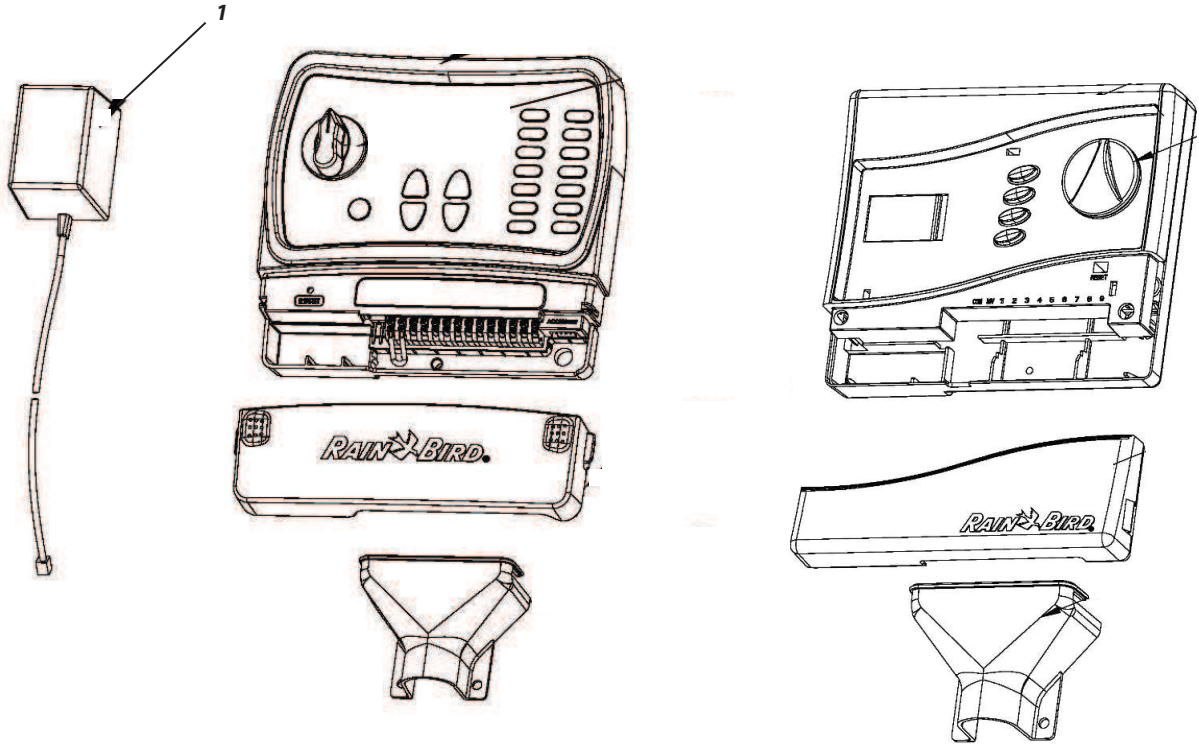
ITC

IRC

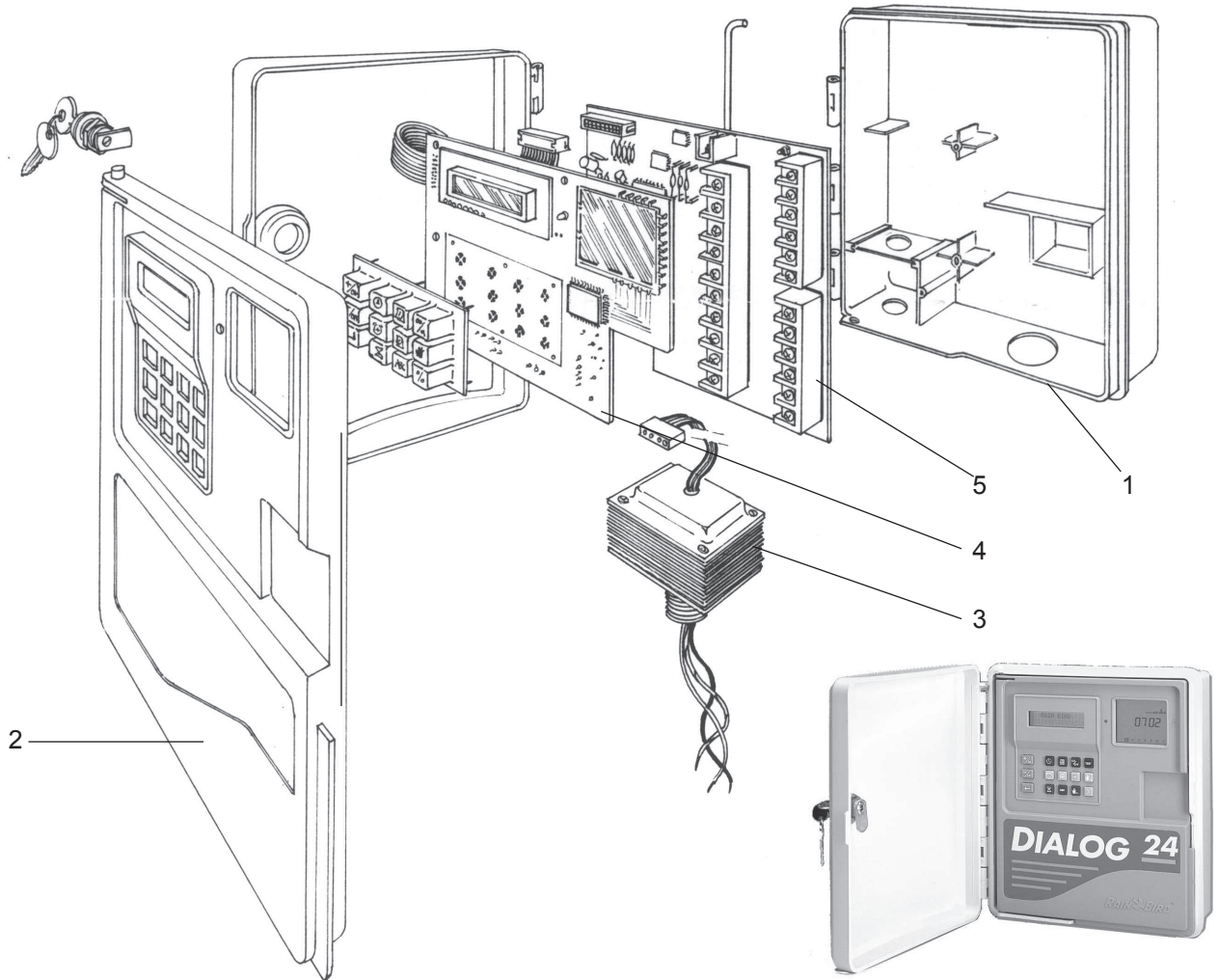
Ref. Part Description	IMAGE-2	IMAGE-4	IMAGE-6	IRRI	ITC	IRC
1 Plastic Cabinet	—	—	—	—	—	—
2 Door	—	—	—	—	—	—
3 PWB Assembly	—	—	—	—	—	—
4 500 mA Fuse	71P10037	71P10037	71P10037	71P10037	71P10037	71P10037
5 Transformer	63833601S	63833601S	63833601S	63833601S	63833601S	63833601S



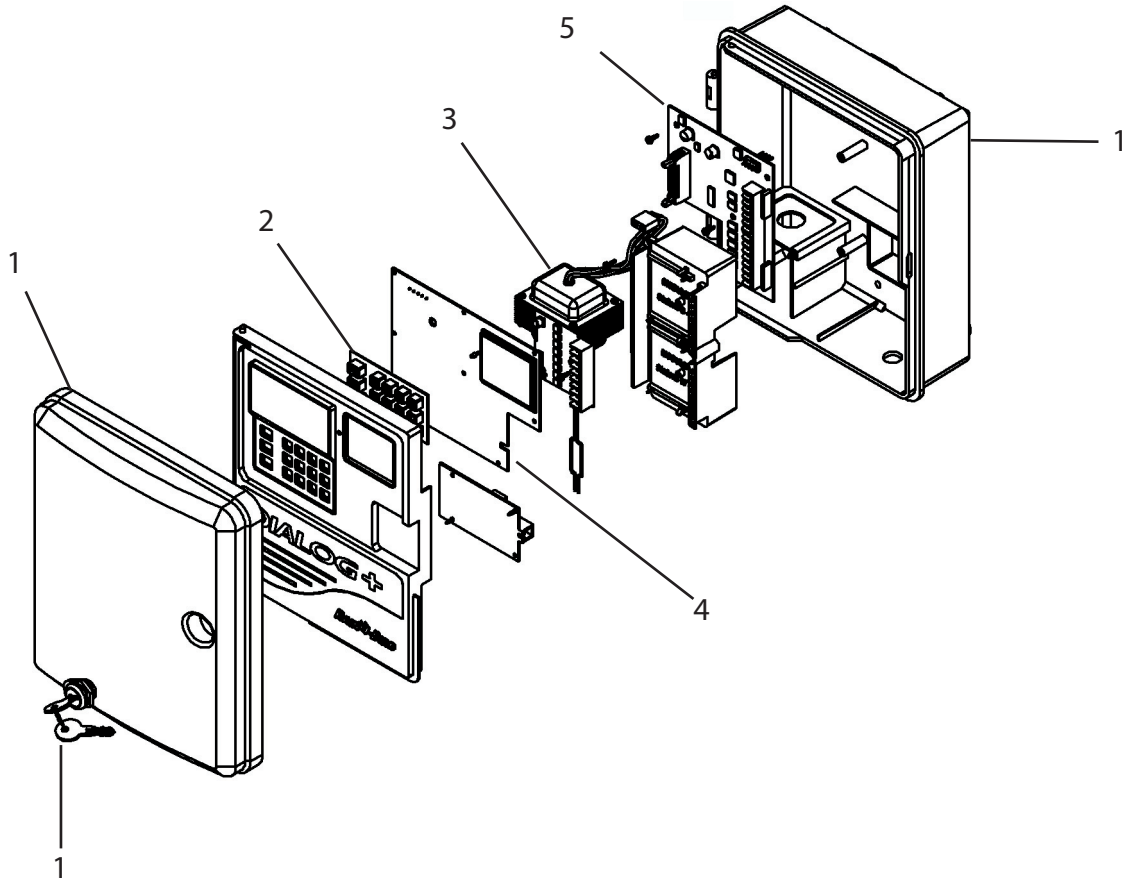
<b>Ref.</b>	<b>Description</b>	<b>ESP-MODULAR</b>	<b>ESP-ME</b>
1	Module Zero Assembly	—	63569501



<b>Ref. Part Description</b>	<b>Ec</b>	<b>STPi</b>	<b>STP+</b>
1 Transformer	71P51469	71P51469	71P51469



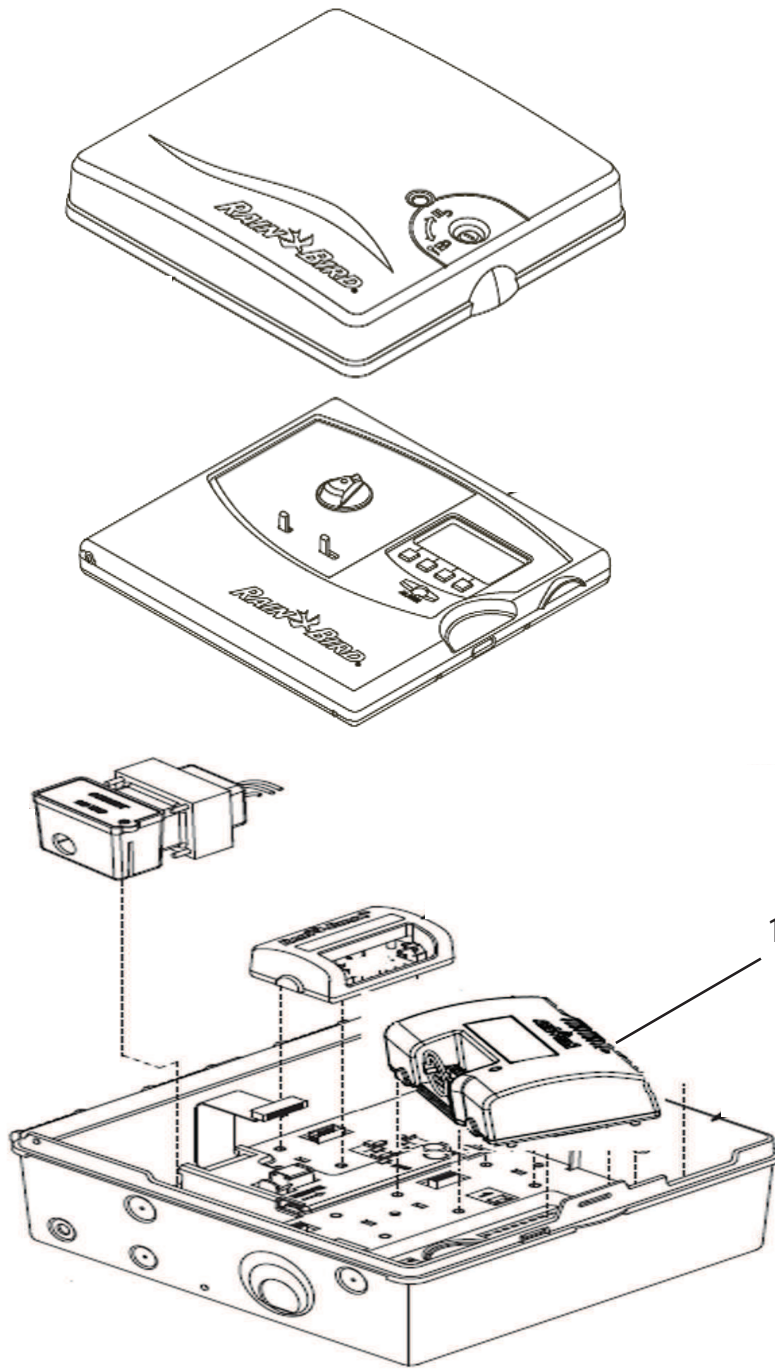
<b>Ref. Part Description</b>	<b>DIALOG-12</b>	<b>DIALOG-16</b>	<b>DIALOG-24</b>
1 Plastic Cabinet	633144	633144	633144
2 Front Panel	71P50266	71P50266	71P50266
3 Transformer	71P50268	71P50268	71P50268
4 Control Panel / Display Assembly	71P50269	71P50270	71P50271
5 PWB Assembly	71P50272	71P50273	71P50274



**Ref. Part Description**

**DIALOG+**

1	Plastic Cabinet	633144
2	Keypad	71P51237
3	Transformer	71P50268
4	Control Panel / Display Assembly	71P51234
5	PWB Assembly	71P51235



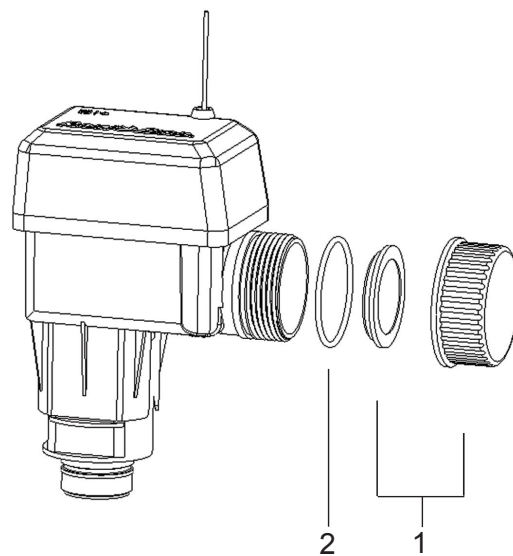
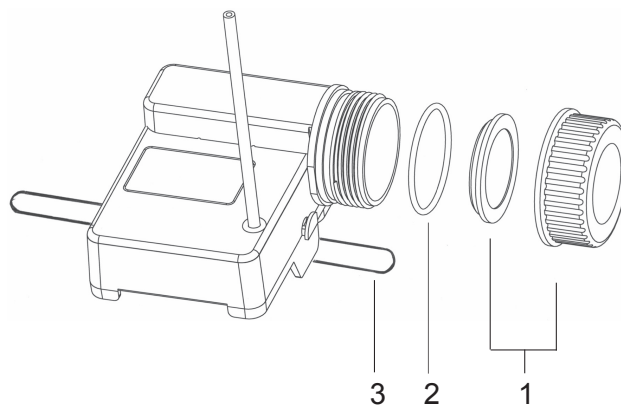
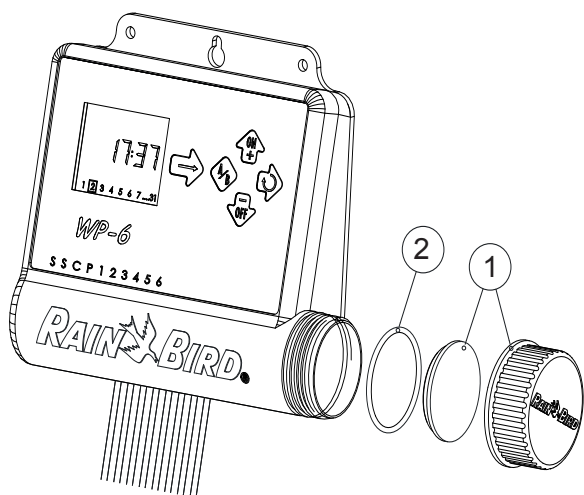
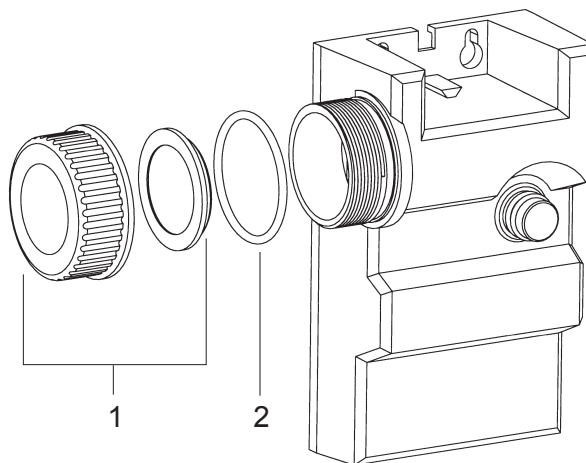
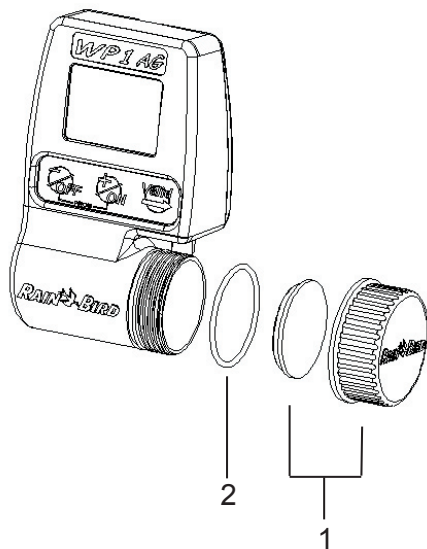
**Ref. Part Description**

1 Decoder Module, ESP-LXD

**ESP-LXD**

F43170

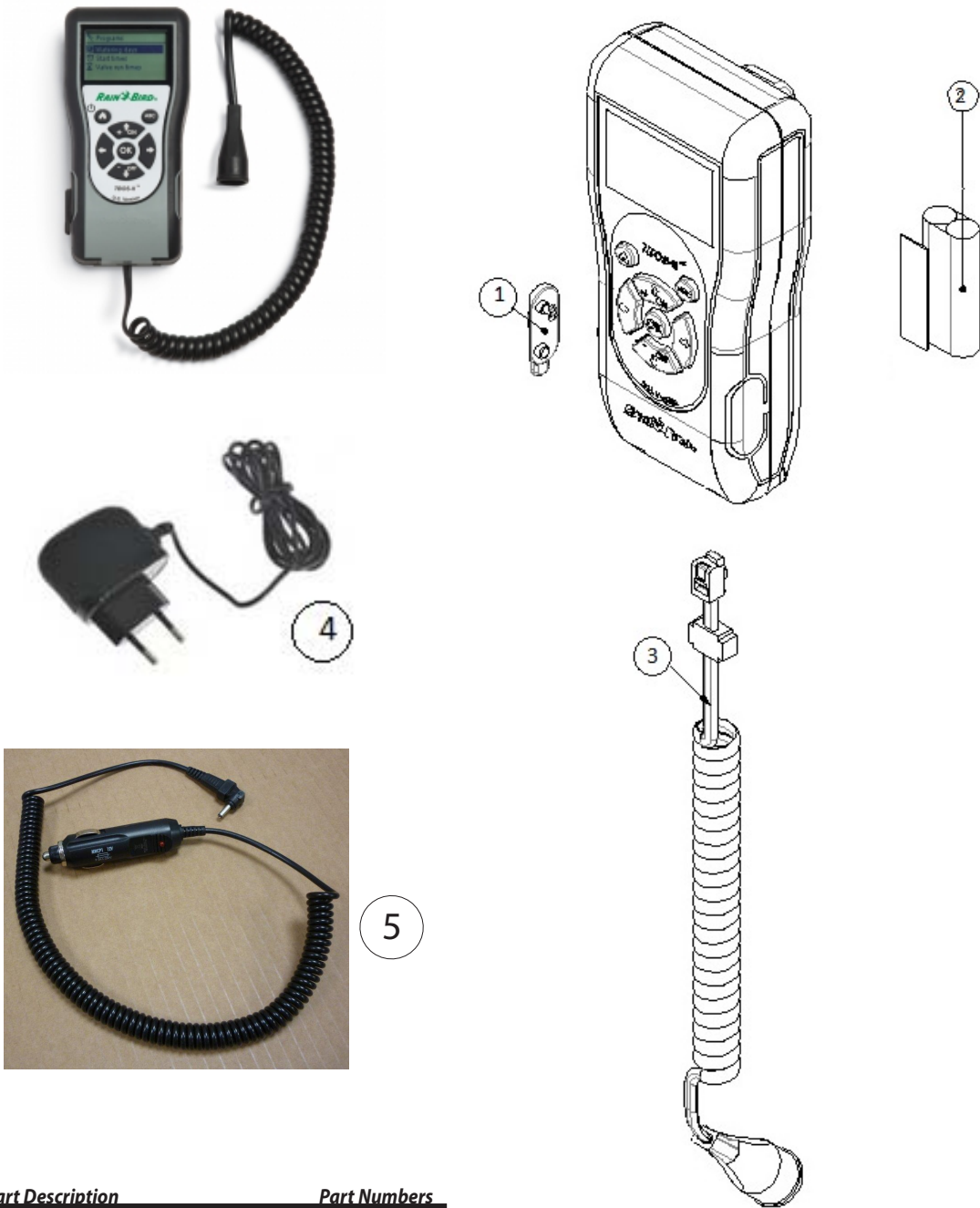




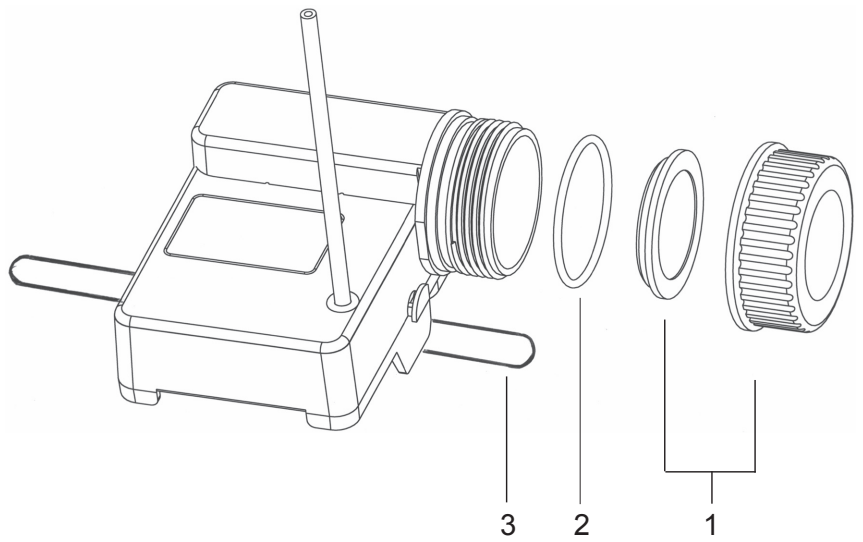
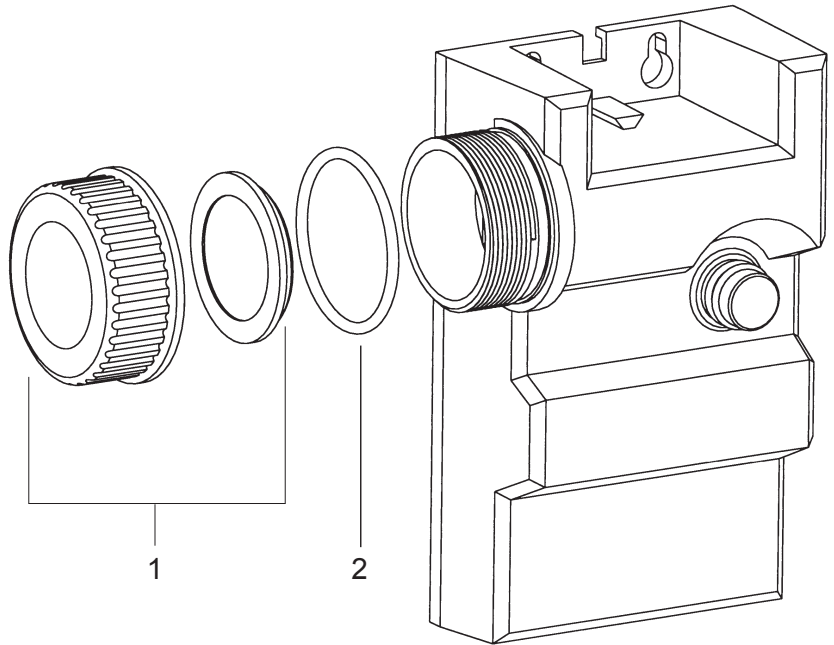
Ref.	Part Description	Part Numbers
1	Cap + Seal	—
2	O-Ring	71P51022
3	Elastic band	—



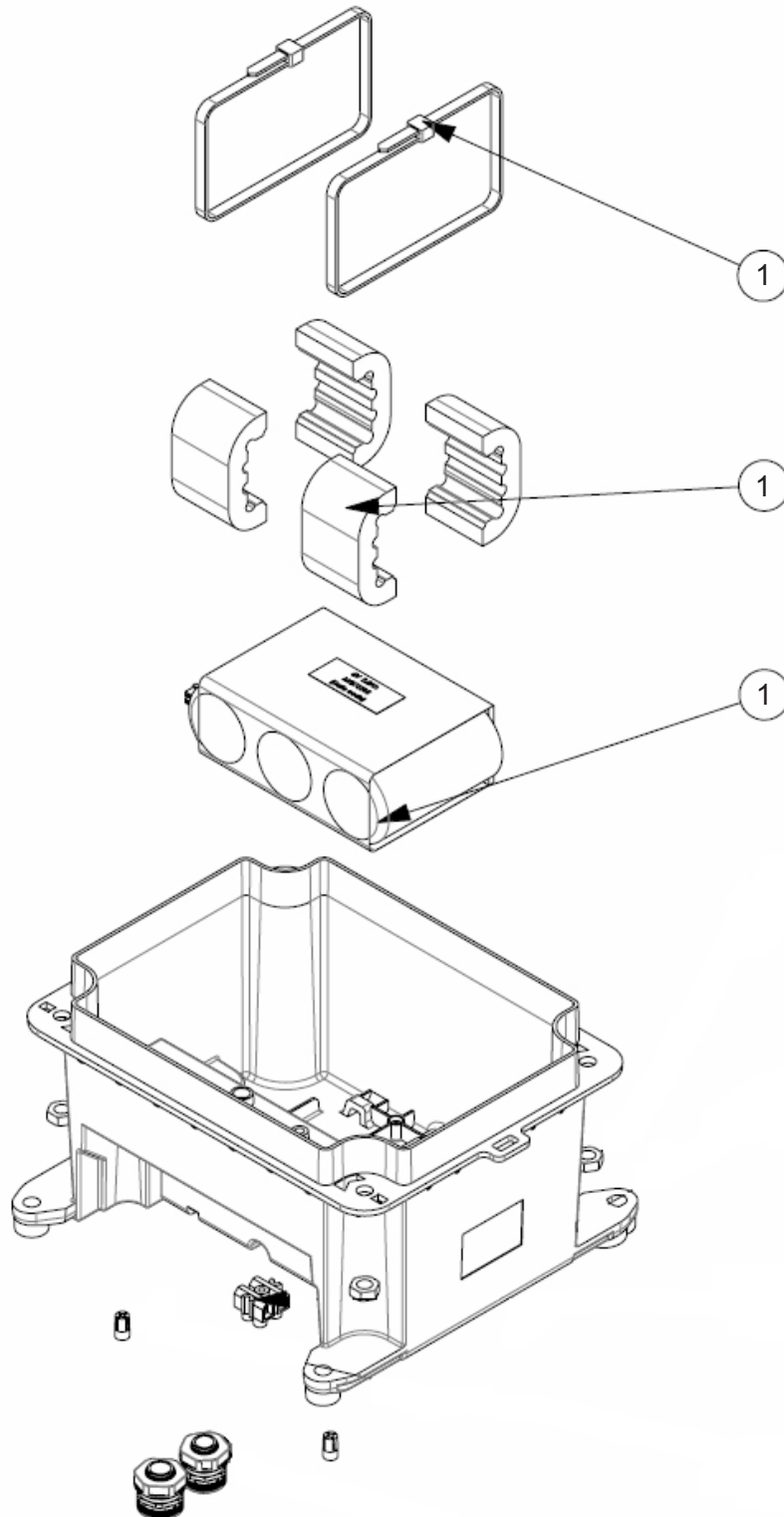
TBOS-II™ FIELD TRANSMITTER



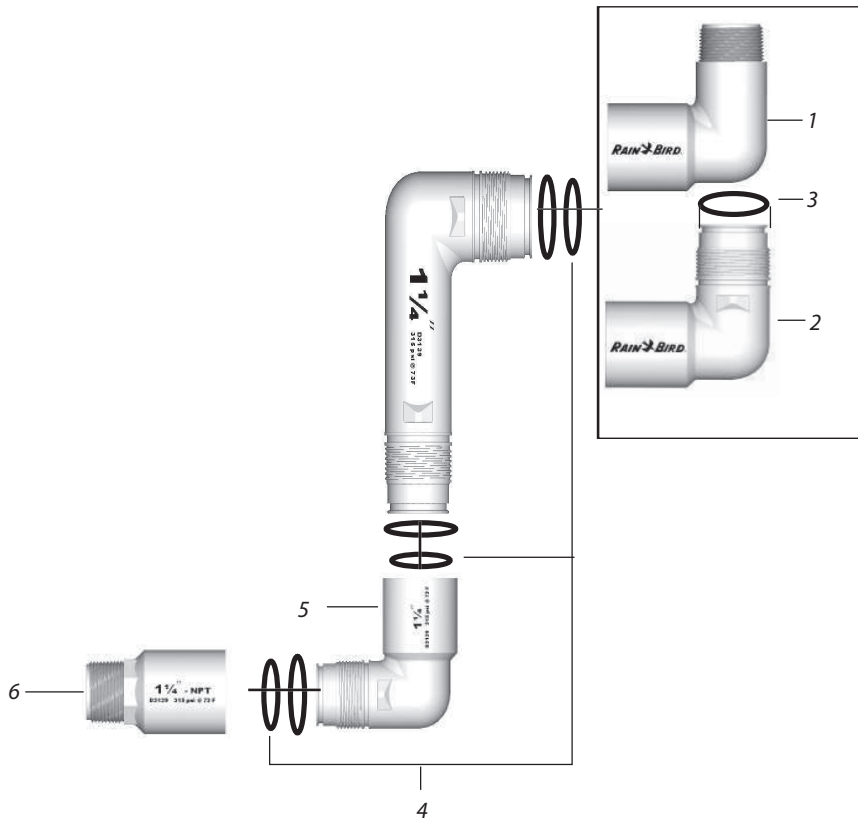
<b>Ref.</b>	<b>Part Description</b>	<b>Part Numbers</b>
1	TBOS-II FT Plug for charger socket	71P52163
2	TBOS-II FT Rechargeable Battery pack	71P52290
3	TBOS-II FT Infrared Cord	71P52289
4	TBOS-II FT Battery charger	71P52291
5	TBOS-II FT Car Lighter Adapter	71P52474



<b>Ref.</b>	<b>Part Description</b>	<b>Part Numbers</b>
1	TBOS-II Cap + Seal + Battery band	71P52288
2	O-Ring	71P51022
3	Elastic band	71P51021



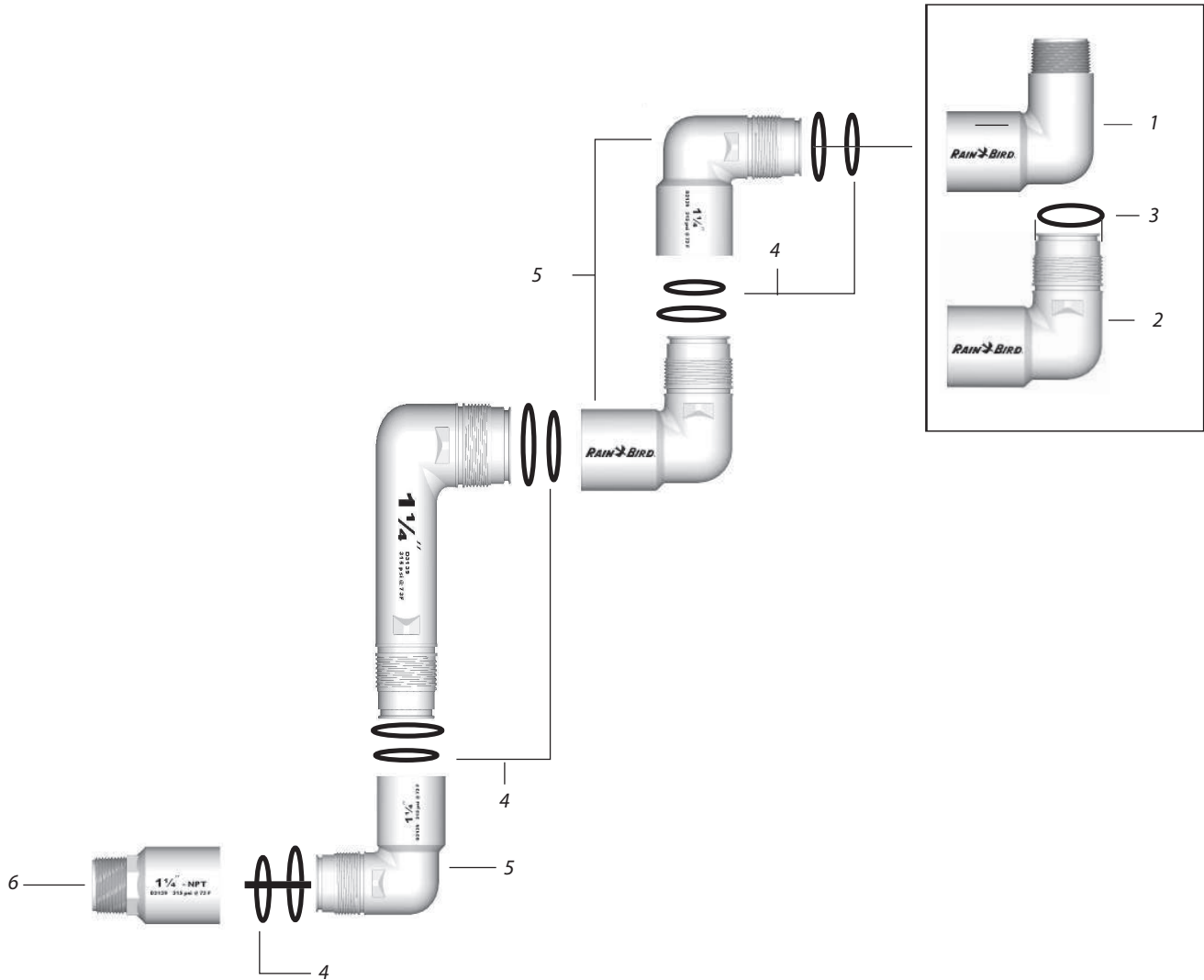
<u>Ref.</u>	<u>Part Description</u>	<u>Part Numbers</u>
1	TBOS-II RR Battery Pack + Accessories	71P52285



Ref.	Part Description	Qty.	1"	1 1/4"	1 1/2"
1	Outlet (BSP)	1	21187002	21187802	—
2	Outlet (ACME)*	1	212008	212014	212020
3	O-Ring, Outlet Seal (ACME)	1	21187201	21187204	21187207
4	O-Ring, Internal (Front) Seal	3	—	—	21187208
5	Internal Elbow	1	212007	212013	212019
6	Inlet (BSP)	1	21186702	—	—

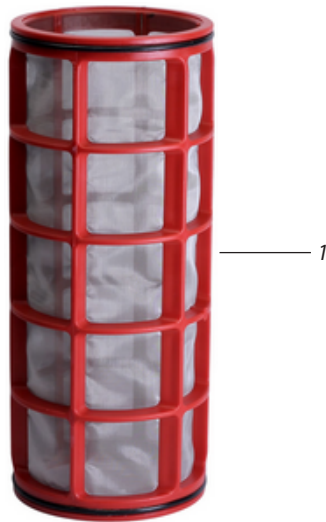
\* Includes o-ring(s)

TRIPLE TOP SWING JOINT ASSEMBLY



Ref.	Part Description	Qty.	1"	1 1/4"	1 1/2"
1	Outlet (BSP)	1	21187002	21187802	—
2	Outlet (ACME)*	1	212008	212014	212020
3	O-Ring, Outlet Seal (ACME)	1	21187201	21187204	21187207
4	O-Ring, Internal (Front) Seal	3	—	—	21187208
5	Internal Elbow	1	212007	212013	212019
6	Inlet (BSP)	1	21186702	—	—

\* Includes o-ring(s)



<b>Ref. Part Description</b>	<b>3/4"</b>	<b>1"</b>	<b>1 1/2"</b>	<b>2"</b>
1 Filter Cartridge, 130µ screen	X14616	X14616	X14618	X14618
2 Filter Cartridge, 130µ disc	X14617	X14617	X14619	X14619